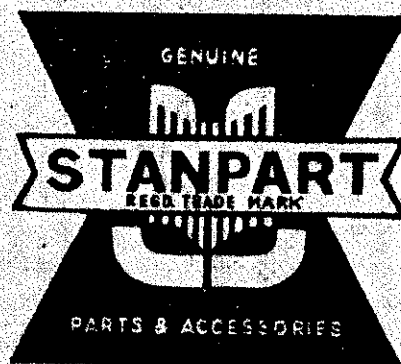


TRIUMPH

20 TR 4

SPORTS CAR

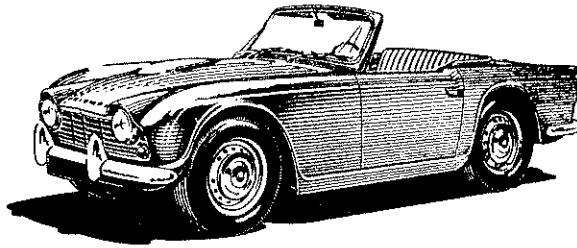
**SPARE PARTS
CATALOGUE**



STANDARD-TRIUMPH SALES LTD.

A MEMBER OF THE LEYLAND MOTOR CORPORATION

**SPARES DIVISION - FLETCHAMSTEAD HIGHWAY
COVENTRY - ENGLAND**



FOREWORD

This catalogue has been compiled to assist all purchasers requiring Spare Parts for the Triumph TR4 models.

You are requested to note carefully the method and procedure for ordering parts which is contained in the introductory notes.

The Sale of Spare Parts is always made in accordance with the Company's current conditions of sale.

STANDARD-TRIUMPH SALES LTD.

SPARES DIVISION :
FLETCHAMSTEAD HIGHWAY, COVENTRY
Telegrams : STANPART, COVENTRY
Telephone : 75511 (16 lines)

SERVICE DIVISION :
BIRMINGHAM ROAD, ALLESLEY, COVENTRY
Telegrams : STANSER, COVENTRY
Telephone : 22115 (5 lines)

HOW TO ORDER PARTS

VERY IMPORTANT

Read this section on how to order, even if you are in the habit of dealing with auto spares.

DESCRIPTION

The part required should be referred to in the catalogue and the part number quoted with the technical description. If any doubt exists as to the name and number of the part, a sketch or the old part should be sent to assist in correct interpretation. When trim material is ordered, a specimen of the material required should be sent whenever possible.

INTERPRETATION OF CATALOGUE

Details forming part of an assembly are indicated by inseting the alignment of the description, as shown in the following example.

EXHAUST MANIFOLD ASSEMBLY

Stud, inlet manifold attachment,
Stud, exhaust pipe attachment,
Pin, spring anchor,
Peg, spring stop,
Spring (bi-metal), flap valve spindle,
Stop, spring,
Pin, split, retaining spring and stop,
Weight, balance,
Pin, mills, balance weight attachment.

Thus, the four items immediately following the assembly form part of the assembly, whilst the remaining five are individual items and are subject to separate order.

PATTERNS

When parts are sent as patterns it is important that they should be carefully and individually labelled indicating the address of the sender together with advice by separate post giving any reference or order number to which they refer. All patterns must be sent Carriage Paid to the Spares Division, Fletchamstead Highway, Coventry, and unless special instructions are given on the order they will not be returned.

RIGHT AND LEFT-HAND PARTS

Where Right-hand and Left-hand Parts are required it is essential that this is clearly stated on the order.

QUANTITIES

Do not designate the quantities by sets but state specifically the number of parts that are required.

ORDERS

Orders for replacement parts should be submitted to the nearest Standard-Triumph Distributor or Dealer.

SPECIAL NOTE FOR DISTRIBUTORS

It is helpful to ensure that :—

- (a) The address is clearly stated and the order submitted on the approved Order Form.
- (b) Parts required are in numerical sequence.
- (c) Where possible, the order should be typed or written in ink.

NOTICE OF MODIFICATION

When modifications relevant to these models are introduced Bulletins will be issued to Standard-Triumph Distributors and Dealers to ensure that the catalogue may be amended in accordance with the latest information.

CHASSIS NUMBERS

Where there is doubt about the correct description for a spare part, always quote the chassis number with prefix or suffix letters (if any) of the car concerned. This will save delay and ensure speedier despatch. The Chassis number may be found stamped on a brass plate, on the scuttle under the bonnet.

CAR REPAIRS. Note to Customers

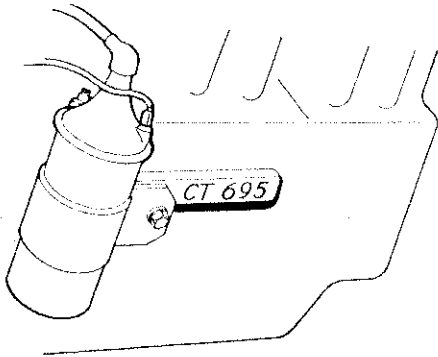
A Service School is established where the representatives from our Distributors and Dealers are trained in the upkeep and maintenance of Standard-Triumph Cars. Customers should therefore avail themselves of the service which our agents are able to give in all matters relative to service and maintenance.

CAUTION

WHEN REPLACEMENTS ARE MADE IT IS OF THE UTMOST IMPORTANCE THAT PARTS OF GENUINE STANDARD MOTOR CO. LTD. MANUFACTURE SHOULD BE USED. THIS ENSURES THAT THE SERVICE GIVEN BY THE ORIGINAL PART WILL BE MAINTAINED BY THE REPLACEMENT. REMEMBER THE GENUINE PART CARRIES WITH IT A GUARANTEE.

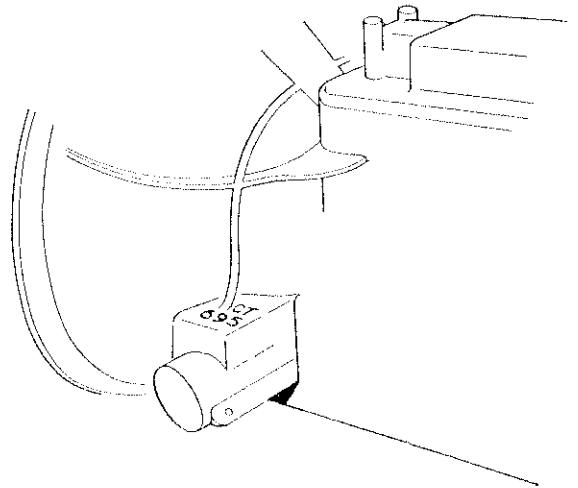
THE EXPERIENCE GAINED BY THE MANUFACTURERS ENSURES THAT THE HIGHEST QUALITY MATERIAL IS USED AND THE STRICTEST ACCURACY MAINTAINED IN MANUFACTURE.

UNIT SERIAL NUMBERS



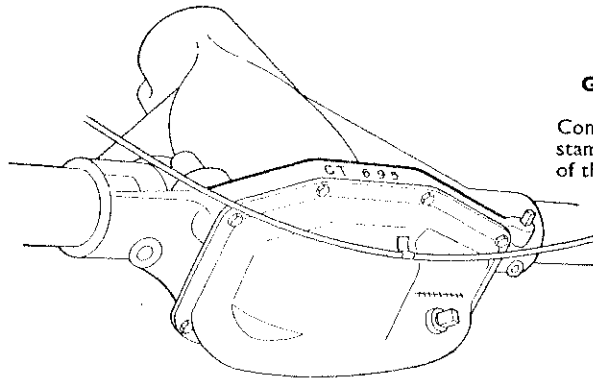
ENGINE SERIAL NUMBER

Commencing at CT 1 E, this number is stamped on the left-hand side of the cylinder block.



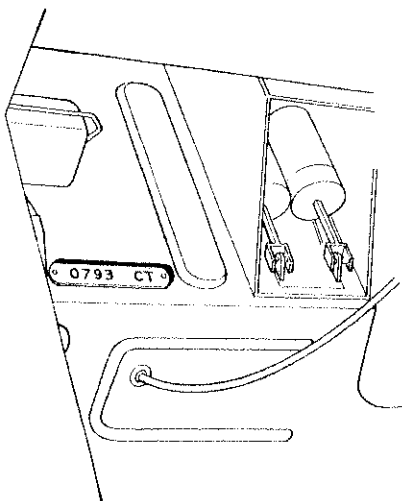
GEARBOX SERIAL NUMBER

Commencing at CT 1, this number is stamped on a boss on the left-hand side of the gearbox casing.



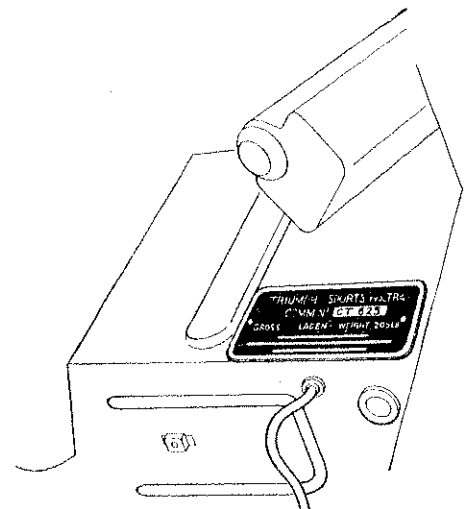
REAR AXLE SERIAL NUMBER

Commencing at BT 1 for 3.7 : 1 ratio axles and CT 1 for 4.1 : 1 ratio axles, this number is stamped on the top of the rear cover plate mounting flange, adjacent to the breather.



BODY SERIAL NUMBER

Commencing at 1 CT, this number is stamped on a plate which is riveted to the right-hand bulkhead panel.

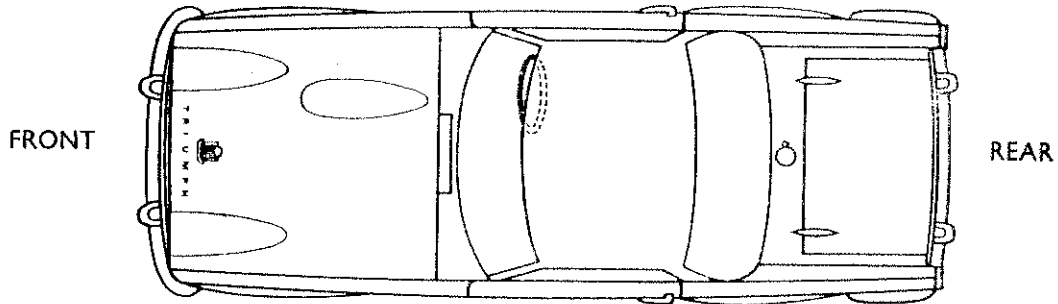


COMMISSION NUMBER

This number is stamped on a plate which is riveted to the left-hand bulkhead panel. Commission number details are listed on the following page.

RIGHT-HAND SIDE OR OFF SIDE

RIGHT-HAND STEERING

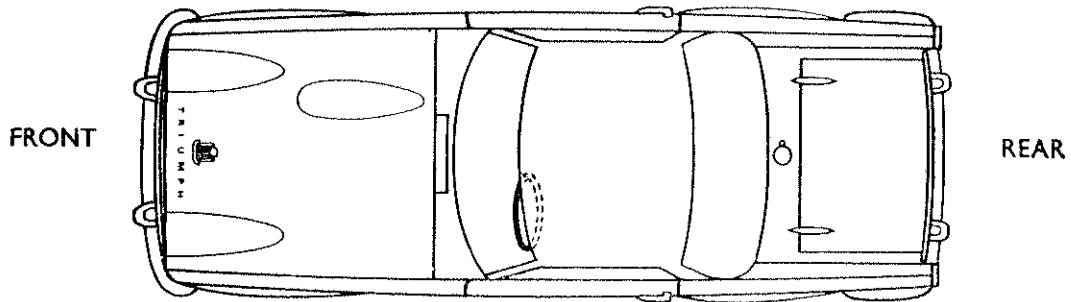


LEFT-HAND SIDE OR NEAR SIDE

COMMISSION NUMBERS AND SUFFIX

Right-Hand Steering	CT	...
Left-Hand Steering	CT	... L
Right-Hand Steering (with Overdrive)	CT	... O
Left-Hand Steering (with Overdrive)	CT	... LO

RIGHT-HAND SIDE OR NEAR SIDE



LEFT-HAND STEERING

LEFT-HAND SIDE OR OFF SIDE

ALPHABETICAL INDEX

Description	Page	Plate	Description	Page	Plate	Description	Page	Plate
ENGINE	1-21		CLUTCH	22-23		ANTI-ROLL BAR ...	36	Q
Air Cleaner	20	H	Cover	22	K	REAR AXLE	37-38	
Breather Pipe	3	A	Driven Plate	22	K	Axle Casing Assembly ...	37	R
Camshaft	7	B	Operating Fork	22	K	Crown Wheel and Pinion ...	37	R
Camshaft Bearing	7	B	Push Rod	23	K	Differential Bearing	37	R
Camshaft Chain Wheel	7	B	Release Bearing	22	K	Differential Gears	37	R
Carburettor	14-19	H	Shaft	22	K	Hub	38	R
Carburettor Link Rods	16-19	H	Slave Cylinder	22	K	Pinion Flange	37	R
Carburettor Jet Lever	14	H	Slave Cylinder Mounting ...	23	K	Rear Cover	38	R
Carburettor Jets	14-18	H				Shaft	38	R
Connecting Rods	7	B	GEARBOX	24-28		Shaft Bearing	38	R
Connecting Rod Bearings	7	B	Attachment Details	26		Shaft Oil Seal	38	R
Crankshaft	6	B	Casing	24	L			
Crankshaft Bearings	6	B	Constant Pinion Bearing ...	27	M	REAR SUSPENSION 39-40		
Crankshaft Chain Wheel	6	B	Constant Pinion Shaft	27	M	Axle Buffer	40	S
Crankshaft Pulley	6	B	Counter Shaft	28	M	Check Strap	40	S
Cylinder Block	1	A	Counter Shaft Gears	28	M	Road Spring	39	S
Cylinder Head	3	A	Change Speed Lever Details	26	L	Shackle Plate	39	S
Cylinder Liner	2	A	Extension	24	L	Shock Absorber	40	S
Distributor Pedestal	8	B	Front End Cover	24	L	'U' Bolt	39	S
Distributor Drive Gear	8	B	Front End Cover Oil Seal ...	24	L			
Dynamo Fan	21	J	Gear Lever	26	L	PROPELLOR SHAFT 41		
Dynamo Mounting	21	J	Knob, Gear Lever	26	L	Shaft	41	S
Dynamo Pulley	21	J	Mainshaft	27	M	Universal Joint	41	S
Engine Mounting Front	2	A	Mainshaft Bearing	27	M			
Engine Plate	2	A	Mainshaft Flange	27	M	ROAD WHEELS	41	
Exhaust Manifold	11	E	Mainshaft Gears	27	M	Disc Road Wheel	41	S
Fan	6	B	Reverse Gear	28	M	Medallion	41	S
Fan Belt	9	C	Reverse Spindle	28	M	Nave Plate	41	S
Fan Pulley	6	C	Rear Oil Seal	24	L	Wire Wheels	41	S
Flywheel	6	B	Selectors	25	L			
Gasket Set	1		Selector Forks	25	L	STEERING	42-44	
Inlet Manifold	11	E	Speedo Driven Gears	24	L	Flexible Coupling	42	T
Oil Filter	13	G	Speedo Driven Gear Bearing	24	L	Inner Ball Joint	43	T
Oil Filter Element	13	G	Top Cover	25	L	Lower Column	42	T
Oil Pipes	13	G				Mounting Block	44	T
Oil Pump	11	E	CHASSIS FRAME	29	N	Outer Ball Joint	44	T
Oil Sump	2	A	Cross Tube—Top	29	N	Rack and Pinion Assembly ...	43	T
Petrol Pump	12	F	Cross Member	29	N	Steering Wheel	42	T
Piston	8	B	Jack Bracket	29	N	Upper Inner Column	42	T
Piston Rings	8	B	Radiator Skid Shield	30	N	Upper Outer Column	42	T
Push Rods	4	A						
Radiator Hose (Bottom)	10	D	FRONT			HAND BRAKE		
Radiator Hose (Top)	10	D	SUSPENSION	31-35		ASSEMBLY	45-46	
Rear Oil Seal	2	A	Bottom Trunnion Assembly	34	P	Cable Assembly	45	U
Rockers	5	A	Bump Rubber	35	P	Compensator	45	U
Rocker Cover	5	A	Hub	33	P	Hand Lever	45	U
Rocker Shaft	5	A	Hub Bearing	33	P	Hand Grip	45	U
Starter Bolt	5	B	Hub Oil Seal	33	P	Pawl	45	U
Sparking Plug	21		Lower Wishbone Arm	34	P	Ratchet	45	U
Timing Chain	7	B	Road Spring	35	P			
Timing Chain Tensioner	7	B	Road Spring Pan	34	P	ACCELERATOR		
Timing Cover	7	B	Shock Absorber	35	P	CONTROL	47	
Valves	4	A	Steering Lever	33	P	Accelerator Pedal	47	V
Valve Rocker	5	A	Stub Axle	33	P	Bearing	47	V
Valve Tappet	4	A	Upper Wishbone Arm	31	P	Fulcrum Bracket	47	V
Water By-Pass Hose	10	D	Upper Fulcrum Pin	31	P	Lever	47	V
Water Pump	9	C	Vertical Link	33	P	Return Spring	47	V
Water Thermostat	10	D						

ALPHABETICAL INDEX

Description	Page	Plate	Description	Page	Plate	Description	Page	Plate
CLUTCH AND BRAKE PEDAL ... 48			ELECTRICAL EQUIPMENT			BODY AND FITTINGS		
Brake Pedal ...	48	W	—continued			—continued		
Bracket, Support ...	48	W	Distributor ...	60	AA	Bonnet Hinge ...	86	AL
Clutch Pedal ...	48	W	Distributor Brush and Spring ...	60	AA	Bonnet Letters ...	86	AL
Master Cylinder Support			Distributor Contact Set ...	60	AA	Bonnet Release Cable ...	87	AL
Bracket ...	48	W	Distributor Rotor Arm ...	60	AA	Bonnet Safety Catch ...	87	AL
Pad, Rubber ...	48	W	Dynamo ...	62	AB	Bonnet Sealing Rubber ...	87	AL
Shaft ...	48	W	Dynamo Armature ...	62	AB	'B' Post Assembly ...	84	AK
Shaft Cover ...	48	W	Dynamo Brush Set ...	62	AB	Bulkhead Assembly ...	83	AJ
MASTER CYLINDER 49			Engine Leads ...	80		Bulkhead End Panel ...	83	AJ
Boot ...	49	W	Flasher Unit ...	63	AC	Carpets ...	111, 112	AY
Cap ...	49	W	Flasher Warning Light ...	78	AF	Cubby Box ...	111	AP
Cover ...	49	W	Front Flasher Lamp ...	71, 72	AE	Cubby Box Hinge ...	111	AP
Plunger ...	49	W	Fuse Box ...	79	AG	Cubby Box Lid ...	111	AP
Push Rod ...	49	W	Headlamps 65, 66, 67, 68, 69, 70	AE		Cubby Box Lock ...	111	AP
Valve ...	49	W	Headlamp Dipping Switch... 79	AG		Detachable Backlight (Hard Top) ...	106	AV
BRAKE UNIT ... 50-52			Horn ...	63	AC	Door ...	88	AM
Front Brake Cylinder Assy. 50	X		Ignition Coil ...	61	AA	Door Check Strap ...	88	AM
Front Brake Friction Disc ... 51	X		Ignition Switch ...	77	AF	Door Draught Excluder ...	92	AM
Front Brake Lining Pad ... 50	X		Ignition Warning Light ... 78	AF		Door Glass ...	90	AM
Rear Brake Assembly ... 51	X		Main Harness ...	79		Door Glass Channel ...	90	AM
Rear Brake Drum ... 52	X		Motor and Gearbox ... 64	AD		Door Glass Stop Bracket ... 91	AM	
Rear Brake Shoe ... 52	X		Number Plate Lamp ... 73	AE		Door Handle—Outside ... 90	AM	
Rear Brake Wheel Cylinder 52	X		Oil Pressure Gauge ... 76	AF		Door Hinges ...	80	AM
HYDRAULIC PIPES ... 53 Y			Panel Light Switch ... 77	AF		Door Lock ...	88	AM
PETROL SYSTEM 55-56 Y			Petrol Gauge ... 76	AF		Door Lock Striker ...	89	AM
Filler Cap and Neck ... 55	Y		Rev. Counter Cable ... 75	AF		Door Pull Handle ...	92	AM
Gauge, Tank Unit ... 55	Y		Rev. Counter Gauge ... 75	AF		Door Remote Control ... 89	AM	
Petrol Pipes ... 56	Y		Side Flasher Lamp ... 72	AE		Door Remote Control Handle ... 90	AM	
Petrol Tank ... 55	Y		Side Lamp ... 70	AE		Door Restraint Device ... 90	AM	
EXHAUST SYSTEM 57			Side and Headlamp Switch... 77	AF		Door Sealing Rubber ... 91	AM	
Front Pipe ... 57	Z		Solenoid Switch ... 62	AB		Door Trim Pad ... 92	AM	
Silencer ... 57	Z		Speedometer ... 74	AF		Door Window Regulator ... 91	AM	
Tail Pipe ... 57	Z		Speedometer Cable ... 74	AF		Door Window Regulator Handle ... 91	AM	
RADIATOR ... 58			Starter Armature ... 62	AB		Facia Crash Pad ... 95, 96	AP	
Block ... 58	Z		Starter Brush Set ... 62	AB		Facia Panel ... 94	AP	
Filler Cap ... 58	Z		Starter Motor ... 62	AB		Facia Support Bracket ... 95	AP	
Mounting ... 58	Z		Starter Pinion and Sleeve ... 62	AB		Facia Vent Grille ... 95	AP	
MISCELLANEOUS			Starter Switch ... 62	AB		Folding Head Assembly (Soft Top) ... 104	AU	
CHASSIS DETAILS ... 59			Steering Column Control... 63	AC		Fresh Air Control Duct ... 94	AP	
Instruction Book ... 59			Stop, Tail, Flasher and Reflex Lamp ... 73	AE		Fresh Air Control Knob ... 95	AP	
Lifting Jack ... 59			Stop Lamp Switch ... 79	AG		Fresh Air Control Valve ... 94	AP	
Repair Kits ... 59			Thermometer ... 75	AF		Frontal Medallion ... 86	AL	
Tools ... 59			Windscreen Wiper ... 64	AB		Front Bumper ... 108	AW	
ELECTRICAL EQUIPMENT ... 60-80			Wiper Arm ... 64	AD		Front Bumper Overrider ... 108	AW	
Ammeter ... 76	AF		Wiper Blade ... 64	AD		Front Bumper Support Spring ... 108	AW	
Battery ... 79			Wiper Switch ... 78	AF		Front Seat 114, 115, 116, 117, 118	AZ	
Choke Control ... 78	AF		BODY AND FITTINGS 81-120			Front Seat Slide ... 119	AZ	
Control Box ... 79	AG		'A' Post Inner Assembly ... 84	AK		Front Upper Valance ... 82	AJ	
			'A' Post Outer Assembly ... 84	AK		Front Valance Panel ... 82	AJ	
			Ash Tray—Front ... 76A	AP		Front Wheelarch ... 82	AJ	
			Body Mouldings ... 110	AX		Front Wheelarch Closing Panel ... 82	AJ	
			Body Mounting Pads ... 81	AH		Front Wing ... 82	AJ	
			Body Shell ... 81					
			Bonnet ... 86	AL				
			Bonnet Fastener ... 87	AL				
			Bonnet Fastener Catch Plate 87	AL				

NUMERICAL INDEX

KEY TO MODELS MENTIONED IN NUMERICAL LIST

<p>O Triumph 2000</p> <p>P Standard 8, 10, Pennant and 7 cwt. Van</p> <p>R TR.2 and 3</p> <p>J Vanguard I & II</p> <p>Y Ensign and Ensign De Luxe</p> <p>K Triumph GT6</p> <p>L Triumph TR4 & TR4A</p> <p>M Leyland 2 Tonner</p> <p>Z Triumph 1300</p>	<p>T Sportsman & Vanguard III</p> <p>B Atlas Commercial Vehicle</p> <p>V Leyland 20</p> <p>A Herald Models</p> <p>C Vanguard VI</p> <p>D Leyland 15</p> <p>E Vitesse</p> <p>F Spitfire</p>
---	--

Part No.	Description	Page	Also Used on Models
24731	Tool Roll	59	P, T, Y
27378	Core Plug	3	A, B, J, P, R, T, Y
27645	Spring, Return	47	J, P, R, T, Y
30047	Wire	22, 42	J, P, R, T, Y
30123	Wire (Lead)	13	A, B, J, P, R, T, Y
32307	Felt Washer	2	A, B, J, P, R, T, Y
33085	Washer	7	A, J, R, T, Y
33148	Clamp, Manifold	11	R, T
36567	Tab Washer	38	B, J, R, T, Y
36581	Shim	38	B, J, R, T, Y
36582	Shim	38	B, J, R, T, Y
36583	Shim	38	B, J, R, T, Y
36997	Bush	24	J, R, T, Y
36998	Bush	24	J, R, T, Y
37502	Spring	26	J, R, T, Y
38054	Nut, Locking Screw	13	J, R, T, Y
38073	'Y' Piece	20	
38264	Shim	13	B, J, R, T, Y
38303	Clip, Suction Pipe to Petrol Pipe	16	A, B, J, P, R, T, Y
39888	Washer, Joint	12	J, R, T, Y
41326	Strut	22	J, T, Y
41674	Clip	54	P, R
42243	Grommet	58	A, R
42244	Washer, Rubber	58	
42537	Pin	22	J, R, T, Y
42880	Screw, Locking Pedestal	5	J, R, T, Y
43404	Tensioner, Chain	7	J, R, T, Y
43929	Spring	23	T, Y
44370	Bush	5	J, R, T, Y
44473	Core Plug	1	A, B, J, P, R, T, Y
44630	Washer	5	B, J, R, T, Y
45918	Washer, Thrust, Top	6	J, R, T, Y
45919	Washer, Thrust, Bottom	6	J, R, T, Y
45985	Circlip	8	J, R, T, Y
46032	Plate	22	T
47246	Bush	6	J, R, T, Y
47263	Wire	40	R
48101	Packing	58	R
48650	Spring, Thrust	22	J, R, T, Y
52337	Shakeproof Washer	5	J, R, T, Y
52399	Cover	22	J, R, T, Y
52406	Unit Package	41	R, T, Y
52479	Link	12	J, R, T, Y

Part No.	Description	Page	Also Used on Models
52483	Pin	12	A, B, J, P, R, T, Y
52484	Clip, securing Pin	12	A, B, J, P, R, T, Y
52486	Washer, Rocker Pin	12	J, R, T, Y
52490	Screw, Cover to Upper Casting	12	A, B, J, P, R, T, Y
52492	Spring, Diaphragm	12	J, R, T, Y
52494	Spring, Rocker Arm	12	J, R, T, Y
52498	Spring	12	J, R, T, Y
53920	Grease Nipple	41	B, J, R, T, Y
54505	Plug	25, 122	R
54902	Washer	76	J, R, T, Y
55707	Circlip	27	J, R, T, Y
55773	Cover	24	J, R, T, Y
55774	Washer	24	J, R, T, Y
55810	Sealing Block	2	J, R, T, Y
55943	Gasket	127	
55971	Chain Wheel	6	J, R, T, Y
56214	Gasket	9, 127	J, T, Y
56237	Washer	9	J, R, T, Y
56243	Stud	9	J, R, T, Y
56251	Small End Bush	7	J, R, T, Y
56282	Joint Washer	10	J, R, T, Y
56293	Locking Plate	7	J, R, T, Y
56305	Screw	7	A, J, R, T, Y
56327	Timing Cover Assembly	7	R, T
56328	Joint Washer	7	J, R, T, Y
56370	Setscrew	7, 25	J, R, T, Y
56384	Setscrew	7	J, R, T, Y
56389	Washer, Joint	2	J, R, T, Y
56405	Bush	1	J, R, T, Y
56407	Joint Washer	8	J, R, T, Y
56522	Shim	6	J, R, T, Y
56523	Chainwheel Shim	6	J, R, T, Y
56524	Plate, Locking	6	
56574	Screw, Sealing Block Attachment	2	J, R, T, Y
56646	Joint Washer	2, 126	J, R, T, Y
56675	Nut	11	J, R, T, Y
56763	Bolt	7	J, R, T, Y
56765	Core Plug	1	J, R, T, Y
56793	Thrust Washer	37	B, J, R, T, Y
56894	Breather	37	B, J, R, T, Y
56895	Washer	37	B, J, R, T, Y
56934	Nipple	32, 34	J, R, T, Y

NUMERICAL INDEX

Part No.	Description	Page	Also Used on Models
56965	Pin	22	J, R, T, Y
57014	Water Pump Body	9	J, R, T, Y
57110	Nut, Locking Ball Pin Rockers	5	A, B, J, P, R, T, Y
57113	Chain Wheel	7	J, R, T, Y
57121	Setscrew	1	J, R, T, Y
57151	Timing Chain	7	J, R, T, Y
57190	Clevis Joint Assembly	46	R, Y
57193	Clevis Joint	23	B, J, R, T, Y
57196	Oil Deflector	6	J, R, T, Y
57361	Washer, Spring, on Screw	12	A, J, P, R, T, Y
57464	Brush Set	62	J, R, T, Y
57465	Spring	62	J, R, T, Y
57469	Rotor Arm	60, 127	A, B, J, P, R, T, Y
57492	Spring	64, 126	A, B, J, P, R, T, Y
57579	Cover Band	62	J, R, T, Y
57580	Armature Assembly	62	R, T, Y
57868	Nut	27	
57933	Tappet, Push Rod	4	J, R, T, Y
57950	Spring	48	J, R, T, Y
57992	Peg, securing Dog	60	A, B, P, R, T, Y
58224	Seal	34	
58258	Clamp, Manifold Attachment	11	A, B, J, P, R, T, Y
58282	Bearing	47	R
58334	Mills Pin	5, 8	J, R, T, Y
58335	Packing, Felt	1	J, R, T, Y
58391	Bearing	27	J, R, T, Y
58465	Fuse, 35 Amp.	79	A, R
58483	Cap	62	J, T, Y
58688	Manifold Stud	3	J, R, T, Y
58701	Pin	7	J, R, T, Y
58773	Housing, Hub Bearing	38	J, R, T, Y
58784	Slotted Nut	38	B, J, R, T, Y
58800	Oil Seal	37	B, J, R, T, Y
58801	Oil Seal	38	B, J, R, T, Y
58912	Bracket	21	J, R, T, Y
58914	Link	21	J, R, T, Y
58917	Manifold Stud	3	R, Y
58923	Guide	3	J, R, T, Y
58924	Fan Belt	9, 127	J, R, T, Y
58948	Flange	27	J, R, T, Y
58949	Washer	27	J, R, T, Y
58955	Circlip	27	J, R, T, Y
58956	Circlip	27	J, R, T, Y
58958	Seal	24	J, R, T, Y
58969	Gear	24	J, R, T, Y
59011	Stud	3	R, Y
59015	Pedestal	21	J, R, T, Y
59115	Bolt	21	J, R, T, Y
59191	Clip, Pipe to Frame	53, 55, 56	
59380	Pipe Clip	53	J, R, T, Y
59381	Pad	2	J, R, T, Y
59428	Spanner	59	J, R, T, Y
59443	Washer	27	J, R, T, Y
59445	Washer	77, 78, 79	
59456	Piece, Distance	28	
59469	Bulb, 12V., Dip Right	65	A, B, P
59471	Bulb, Headlamp (Yellow)	127	
59492	Bulb	74, 75, 76, 78	A, P
59537	Washer	24	J, R, T, Y
59615	Body, Relief Valve	13	J, R, T, Y
59621	Facing Package	22	R, Y

Part No.	Description	Page	Also Used on Models
59654	Priming Handle Set	12	J, R, T, Y
59655	Arm, Rocker	12	J, R, T, Y
59660	Screw, securing Valve Retainer	12	A, B, J, P, R, T, Y
59757	Bush	62	J, R, T, Y
59765	Bolt	62	J, T, Y
59776	Clip	79	
59777	Resistance	79	
59781	Dust Excluder	65, 66, 67, 70	
59844	Electric Defroster	129	
60078	Washer	27	J, T, Y
60142	Tubing Nut	56	J, R, T, Y
60176	Nut	56	
60214	Bearing, Front	7	J, R, T, Y
60215	Oil Seal	24	J, R, T, Y
60246	Screwed End	8, 24	J, R, T, Y
60247	Oil Seal	8, 24	J, R, T, Y
60254	Pin, Gudgeon	8	J, R, T, Y
60274	Spring	45	J, R, T, Y
60313	Bearing Seal	9	A, B, J, P, R, T, Y
60414	Spring	13	J, R, T, Y
60416	Screw	13	J, R, T, Y
60420	Plug	24	J, R, T, Y
60527	Cleat, Cable	80	
60658	Oil Thrower	27	J, R, T, Y
60733	Collar	5	J, R, T, Y
60796	Bulb, 12V.	66	A, B, J, P, R, T, Y
60862	Rear Oil Seal Assembly	2	J, R, T, Y
61282	Sleeve	70	A, B, P
61302	Nut	32	R
61478	Water Tap	1	A, B, J, P, R, T, Y
61864	Tap	58	J, R, T, Y
61917	Grommet	55, 78, 83, 87, 101	J, R, T, Y
70062	Spring	62	T, Y
70280	Cable	127	
70361	Lead and Cap Assembly	65, 66, 67	
70380	Clutch Cover Assembly	22	J, R, T, Y
70391	Sundry Parts Set	62	A, B, J, P, R, T, Y
100148	Clip	13, 75	R, Y
100157	Front End Cover	24	J, R, T, Y
100159	Sleeve	22	J, R, T, Y
100175	Rubber	35	R
100422	Bearing, Pinion Shank	37	
100536	Bearing	33	
100562	Shim, Adjusting Bearing, -003"	37	A, B, J, P, R, T, Y
100563	Shim, Adjusting Bearing, -005"	37	A, B, J, P, R, T, Y
100564	Shim, Adjusting Bearing, -010"	37	A, B, J, P, R, T, Y
100569	Bar Assembly	46	R
100572	Washer	46	J, R, T, Y
100573	Bearing	33	
100682	Oil Filter Assembly	11	J, R, T, Y
100697	Distance Piece	32	
100726	Gaiter	32	
100749	Set Screw	2	J, R, T, Y
100751	Washer	35	
100760	Distance Piece	9	J, R, T, Y
100763	Snap Ring	9	J, R, T, Y

NUMERICAL INDEX

Part No.	Description	Page	Also Used on Models
100766	Washer	9	J, R, T, Y
100792	Tube	3	R, T, Y
100844	Differential Cross Pin	37	B, R, T, Y
100846	Bearing Spacer	37	B, J, R, T, Y
100858	Seal	9, 127	A, B, J, P, R, T, Y
100869	Road Wheel Stud	38	B, R
100878	Set Screw	37	B, R, J, Y
100894	Adjusting Shim, .003"	37	B, R, T, Y
100895	Adjusting Shim, .005"	37	B, R, T, Y
100896	Adjusting Shim, .010"	37	B, R, T, Y
100897	Pinion Head Bearing	37	B, T, Y
100898	Oil Seal	37	B, R, T, Y
100954	Bush	48	R
100965	Adjusting Shim, .003"	37	B, R, T, Y
100966	Adjusting Shim, .005"	37	B, R, T, Y
100967	Adjusting Shim, .010"	37	B, R, T, Y
100978	Bearing	9	J, R, T, Y
101092	Washer, Abutment	9	A, B, J, P, R, T, Y
101229	Washer	35	
101236	Spring	25	R
101247	Fork End	45	B, R, T, Y
101302	Nut	99	J, P, R, T, Y
101343	Adaptor	99	J, P, R, T, Y
101359	Joint Washer	38	B, R, T, Y
101407	Stop, Steering Lock	34	
101440	Cup	29	R
101442	Stud	11	J, R, T, Y
101478	Gasket	10	J, R, T, Y
101533	Washer, Thrust	34	
101557	Trunnion	34	
101586	Washer	27	J, R, T, Y
101615	Bush	34	
101951	Screw, Set	35	
101963	Filter Element	13	J, R, T, Y
102014	Shim	62	J, R, T, Y
102065	Set Screw	6	J, R, T, Y
102137	Sleeve	80	P, Y
102139	Dipstick	2	R
102213	Union Screw	55	R
102227	Clip	13	J, R, T, Y
102228	Rubber Bush	31	R
102238	Flexible Pipe	13, 127	J, R, T, Y
102266	Dynamo Pulley	21	J, R, T, Y
102474	Stud	3	R
102564	Valve Spring	4	A, Y
102689	Cap	33	
102690	Washer, 'D'	33, 39	A, B, P
102711	Grommet	21	R, T, Y
102729	Sleeve, Tubing	56	
102785	Set Screw	1	
102801	Thrust Washer	37	B, R, T, Y
102805	Bolt	22	J, R, T, Y
102941	Insert	3	J, R, T, Y
102986	Fan Assembly	21	A, B, J, P, R, T, Y
103222	Drain Plug	55	A, B, J, P, R, T, Y
103268	Setscrew	124	R, T, Y
103270	Bolt	123	R, T
104449	Core Plug	25, 122	A, B, P, R, T, Y
104662	Oil Seal	7	J, R, T, Y
104740	Spring	45	A, P
104953	Bush	39	R

Part No.	Description	Page	Also Used on Models
104966	Shaft	8	R
105036	Nut, Terminal, H.T. Cable	61	A, B, J, P, R, T, Y
105220	Set Screw	2	J, R, T, Y
105226	Housing	47	R
105280	Stud	8	J, R, T, Y
105290	Clamp Plate	57	A, B, J, P, R, T, Y
105291	Strip, Flexible Mounting	57	P, R
105312	Bolt	7	R
105313	Washer	7	R, T
105438	Nut	42	A, P
105504	Spindle	9	R
105537	Water Pump Pulley	9	R
105539	Cylinder Liner	2	R
105598	Connector	10, 127	R, T, Y
105626	Constant Gear	28	R, T, Y
105629	2nd Speed Gear	27	R, T, Y
105630	3rd Speed Gear	27	R, T, Y
105659	Countershaft Gear	28	R, T, Y
105676	Cover, Bleed Screw	22, 50, 52	
105752	Spring	22	J, R, T, Y
105758	Washer	25	R, T, Y
105788	Roller	25	R
105803	Collar	4	R
105925	Link Assembly	40	R
105981	Impellor	9	J, R, T, Y
106022	Clutch Operating Fork Assy.	22	J, R, T, Y
106050	Ring	25	R
106051	Plate	25	R
106084	Spring	22	A, B, P, R
106088	Retainer, Spring	49	A, B, P, R
106090	Washer	49	A, B, P, R
106092	Circlip	49	A, B, P, R
106093	Cover	49	A, P, R
106094	Lid, Reservoir	49	A, P, R
106095	Gasket	49	A, P, R
106102	Pipe	58	R
106156	Spring	49	A, E, F, K, M, P, R, V, Z
106157	Stem, Valve	49	A, B, P, R
106158	Seal, Valve	49	A, B, P, R
106184	Gear	8	R
106194	Bracket	29	R
106196	Fulcrum Pin—Lower Wishbone	29	R
106229	Tube	29	R
106231	Bolt	39	R
106347	Anchor Plate	23	R, Y
106448	Fulcrum	28	A, B, P
106481	Plunger	25	
106489	Spring	25	A, B, P
106577	Lower Wishbone Arm Assembly—Front R.H. and Rear L.H.	34	
106578	Lower Wishbone Arm Assembly—Front L.H. and Rear R.H.	34	
106641	Washer, Tab	33	
106663	Split Cone	4	A, B, R
106670	Pedal Shaft Cover Assy.	48	R
106678	Bracket	48	R
106706	Washer	21	J, R, T, Y

NUMERICAL INDEX

Part No.	Description	Page	Also Used on Models	Part No.	Description	Page	Also Used on Models
106747	Hose	53	P, R	107953	Washer	45	R
106753	Lever Assembly	47	R	107960	Bolt	41	R, T, Y
106756	Lever, Bellcrank Assembly	16	R	108012	Rocker No. 1	5	R
106763	Bracket	47	R	108014	Rocker No. 2	5	R
106764	Link Rod Assy.—Long	16, 19	R	108114	Top Cover Plug	25	B, R
106765	Link Rod Assy.—Short	16, 19	R	108166	Plug	25	R
106771	Dowel	7	R, T	108194	Bracket	29	R
106841	Pin	35		108239	Guide	3	R, T
106843	Bracket	35		108242	Collar	3	R
106844	Bracket	35		108294	Washer	14	R, T
106845	Rubber	34		108301	Spring	14	R, T
106958	Joint Washer	11, 57, 127	R	108302	Screw	14	R, T
106959	Stud	1	R, T	108307	Bearing, Jet	14	A, R
106960	Stud	1	R, T	108308	Bearing, Jet	14	A, R
106966	Oil Pressure Gauge	76	R	108309	Washer	14	A, R
106968	Push Rod Assembly	4	R	108310	Washer	14	A, R
106969	Housing, Bearing Assembly	9	R	108311	Ring	14	A, R
106981	Gear	8	R	108312	Washer	14	A, R
107055	Stud	3	R, T	108313	Washer	14	A, R
107069	Connection, Five Way	53	B, P, R	108314	Washer	14	A, R
107070	Connection	53	B, P, R	108315	Spring	14	A, R
107072	Gasket	53, 54	A, B, P, R	108316	Nut, Jet Sealing	14	A, R
107106	Distance Piece	33		108317	Nut	14	A, R
107176	Seal	52	A, B, P, R	108318	Spring	14	A, R
107194	Seal	33		108320	Spring, Jet Return	14	A, R
107250	Hub, Fan Pulley	6		108322	Pin	14	A, R
107252	Pulley	6		108323	Split Pin	14, 15	A, R, T
107350	Scud	34		108324	Fork-end	15	R, T
107430	Bracket, Outer	34		108325	Nut	14, 15	A, R, T
107476	Check Strap	40	R	108326	Pin	15	R
107477	Bolt, Mounting	29	R	108330	Washer	15	R, T
107492	Spring	4, 127	R	108333	Lever	15	R, T
107493	Spring	4, 127	R	108334	Pin	15	A, R, T
107534	Plate	39	R	108336	Float	15	R, T
107535	Plate, Shackle	39		108339	Pin	14	R
107554	Clip, Vent Pipe	55		108341	Spring	14	A, R
107582	Ring	8	R	108347	Washer	15	A, R
107602	Clip	57		108349	Screw	15	A, R, T
107626	Valve	4, 127	R	108350	Bolt	15	A, R, T
107630	Plate	45	R	108351	Washer	15	R, T
107631	Ratchet	45	R	108353	Pin	15	R, T
107632	Pawl	45	R	108357	Plate	15	R
107633	Rod	45	R	108358	Clip	15	R, T
107634	Bolt	45	R	108359	Spring	15	R
107636	Button	45	R	108360	Coupling	16	R, T
107637	Lever Assembly	45	R	108361	Bolt	15, 16	A, R, T
107665	Washer	29	R	108362	Nut	15, 16	A, R, T
107682	Packing Piece	35		108363	Plain Washer	15, 16	A, R
107742	Bush	45	R	108364	Union, Ignition	14	R, T
107746	Screw	24	R	108368	Bolt, Pivot—Cam to Carburetter	14	R, T
107747	Bearing	24	R	108422	Hose	10, 127	R
107749	Speedo Driven Gear and Bearing Assembly	24, 122	R	108446	Clip	57	
107750	Ring	24	R	108448	Plug	126	
107769	Bush	39	R	108450	Mallet	41	R
107834	Jet Control Connecting Rod	15	R	108494	Shim	6	R
107857	Washer	6	R	108495	Washer	6	R
107858	Piece	6	R	108496	Bush	6	R
107947	Flange	37	R, T, Y	108497	Washer	6	R
107948	Nut	41	R	108499	Sleeve	6	R
107949	Nut	41	R	108540	Bracket Assembly	29	R

NUMERICAL INDEX

Part No.	Description	Page	Also Used on Models	Part No.	Description	Page	Also Used on Models
108541	Bracket Assembly	29	R	112030	Bolt	6, 126	R, T, Y
108616	Push Rod	4	R, T	112032	Bolt	33	
108657	Brush, Horn Push Connection	63	A	112146	Joint Washer	13	R, T, Y
108674	Screwdriver	59	R	112170	Stud	1	R, T, Y
108756	Screw	22, 52	A, B, P, R	112231	Bolt	1, 13	R, T, Y
108806	Valve	127	R	112232	Bolt	1, 13	R, T, Y
108810	Main Bearing	6	J, R, T, Y	112233	Set Screw	1, 13	R, T, Y
108860	Casing	64	A, B, P, R, T, Y	112347	Bolt	32	
108887	Clutch Operating Shaft	22	R	112411	Gaiter Retainer	44	T, Y
108951	Nut	57	R, T, Y	112424	Plunger	26	R
109255	Ball Joint Assembly	32		112442	Retainer, Spring	26	R
109281	Bracket Assembly	30	R	112445	Clutch Housing Cover	26	R, T, Y
109283	Bracket Assembly	29	R	112545	Pedestal, Rocker, Drilled	5	R, T, Y
109285	Bracket Assembly	29	R	112546	Pedestal, Rocker, Plain	5	R, T, Y
109316	Spanner	59	R, T	112617	Thrust Washer, Top, -004" oversize	6	R, T, Y
109317	Spanner	59	R, T	112618	Thrust Washer, Bottom, -004" oversize	6	R, T, Y
109318	Spanner	59	R, T	112635	Nut	37	B, R, T, Y
109319	Spanner	59	R, T	112653	Bolt	38	B, J, R, T, Y
109320	Spanner	59	R, T	112789	Gasket, Liner	2	R, T, Y
109322	Grips	59	R, T	112854	Lever, Pivot, Assembly	16	R
109370	Piece	6	R	112866	Washer	11, 16	R, T
109401	Distance Piece, Selector Shaft	25		112867	Washer	11, 16	R, T
109438	Bolt	42	A, P	112892	Gasket	19, 20	R, T
109495	Ball Pin	5	R, T	112907	Stud	11	R, T
109521	Cover, Rubber Solenoid	123	R, T, Y	112946	Solenoid	123	R, T
109531	Spring	26	R	113094	Bolt, Dynamo to Bracket	21	A, B, P, R, T, Y
109566	Button	37	B, T, Y	113120	Circlip	14	R
109586	Road Wheel Nut	41	B, R	113122	Washer, Joint	11, 127	R, T
109637	Petrol Pump Assembly	12	R	113123	Plate, L.H.	33	
110016	Shaft	48	R	113124	Plate, R.H.	33	
110023	Pulley	6	R	113142	Caliper Mounting Bolt	50	R
110237	Bearing, Rear Hub	38		113143	Bolt	33	
110339	Bracket	57		113144	Bolt	33	
110363	Plug, Spring, in Brake Drum	41	R	113150	Bolt	51	R
110365	Stud, Rear Hub	38	R	113169	Stud, Long, Cylinder Head	1	R, T
110366	Nut, Extension	33, 38	R	113173	Hub Assembly, Rear	38	R
110462	Screw, locating Bearing	7	R, T, Y	113175	Rear Hub Assembly	38	B, R
110515	Bearing	37	B, R, T, Y	113181	Plate Assembly	39	R
110621	Key	38	B, R, T, Y	113187	Differential Side Gear	37	B, R, T, Y
110679	Washer	14	R	113188	Gear	37	R, Y
110695	Bearing	34		113191	Plate Assembly	39	R
110696	Bearing	34		113193	Bracket	37	R
110697	Washer	34		113194	Clip, Road Spring	39	R
110737	Bolt	37	B, R, T, Y	113228	Spanner	59	R, T
110774	Jack Assembly	59	R	113256	Medallion, Nave Plate	41	R
110775	Ratchet, Handle Assembly	59	R	113431	Synchronising Cup	27	R, T, Y
110777	Washer, Cork	55		113454	Pin, Joint	15	R
110788	Bracket, R.H.	29		113522	Bearing (Camshaft)	7	R, T, Y
110789	Bracket, L.H.	29		113523	Bearing (Camshaft)	7	R, T, Y
110791	Bracket Assembly, Jack	29	R	113549	Scraper Ring	8	R
110896	Oil Pressure Gauge (Kilos)	76		113550	Compression Tapered Ring	8	R
110962	Nut, Combustion Head Attachment	3	R, T	113556	Front Shock Absorber	35	
111054	Tappet Adjuster Unit	51		113569	Cap, Oil Filler	5	A, B, P, R, T, Y
111064	Rocker Shaft	5	R, Y	113570	Cylinder Head Attachment Stud	1	R, T
111163	Spacer Valve	49	A, B, P, R	113624	Front Shock Absorber	35	
111215	Locating Pin	37	B, R, T, Y	114033	Washer, Copper	13	R, T, Y
111717	Stud, Rocker Pedestal	3	R, T	114034	Plain Washer	13, 24	A, B, P, R, T, Y
111913	Insert	3	R, T, Y	114191	Extension, Tail Pipe	57	R

NUMERICAL INDEX

Part No.	Description	Page	Also Used on Models	Part No.	Description	Page	Also Used on Models
114281	Stud, Wheel	33		121297	Spanner, Wheel Nut	41	
114282	Stud, Wheel	33		121504	Rear Engine Mounting	26	R
114283	Hub Assembly, Front	33		121734	Stud, Cylinder Head	1	R
114284	Hub Assembly, Front	33		121752	Bracket, Lifting, Rear	4	R
114531	Clutch Slave Cylinder Assy.	22	R	121780	Rubber Gasket	65, 66, 67	R
114647	Lever Assembly	46	R	121790	Ratchet, Handle Assembly	59	
114774	Taper Plug	2, 3, 9, 24, 37, 38	A, B, P, R, T, Y	121791	Rubber Mounting Block	36	R
115350	Oil Sump	2		121792	Retainer Assembly, Mounting Block	36	
115456	Buffer	40		121793	Retainer, Rubber	36	
115459	Hose Assembly, Rear	53	A, R	121797	Link Assembly	36	R
115460	Hose, Bracket	54	R	121867	Rubber Mounting	35	
115467	Gasket (Thermostat)	10	R, T, Y	121868	Rubber Mounting	35	
115682	Shim	50		122075	Spring, Synchro, fitted in Sleeve	27	Y
115701	Washer, Lock	34		122136	Cap, Filler	58	
115702	Seal, Grease	34		122166	Cylinder Liner	2	R
115763	Stub Axle	33		122168	Compression Ring, Tapered	8	R
115776	Tab Washer	6, 126	T, Y	122169	Compression Ring, Plain	8	R
115779	Petrol Pipe Assembly	56	R	122170	Scraper Ring	8	R
115783	Connector, Flexible	16, 56, 127	A, B, P, R	122171	Gudgeon Pin	8	R
115784	Connector, Flexible	56	R, T, Y	122208	Piston Assembly	8	R
115785	Flywheel Assembly	6	R	122230	Locating Clip	36	R
115990	Washer	37	A, R, T, Y	122231	Locating Washer	36	R
116197	Restrictor Valve Assembly	54	R	122289	Spring, Pedal Return	48	A, R
116228	Battery	79	R, T, Y	122505	Shoe Hold Down, R.H.	51	B, R
116229	Battery (Dry)	79	R, T, Y	122525	Clip, Trafficator Cancelling	42	A, E, F
116496	Washer	27	R, T, Y	122553	Ring, Clamp	44	A
116638	Driven Plate	22	R, T, Y	122554	Bolt, 'U'	44	A
117590	Bearing, Big End	7	R	122623	Dowel	44	A
117811	Sleeve	25	T, Y	122653	Setscrew	25	A, B, P, Y
117836	Bearing	27	R, T, Y	122669	Clamp, Steering Column	42	
118324	Bolt	33		122718	Cap, End	97	
118632	Plug	11		122719	Washer, Bearing	97	
118971	Headlamp Rim Removal Tool	59		122759	Foot Dipper Switch	79	A, B, R
118977	Washer, Lock	37		123493	Oil Seal	125	R
119072	Rim	65, 66, 67	R	123759	Terminal, Earth	79	A
119218	Grease Gun	59	R, T, Y	123888	Screw, Wedglok	24	Y
119257	Grease Gun	59	P, R, T, Y	123939	Extension, Bracket	30	
119414	Sparking Plug	126	R	123942	Bracket, Extension	30	
119868	Clip, L.H.S.	56	Y	124020	Rim	66	P, R
120142	Adjuster Unit Assembly	51	A, B, P, R	124713	Thermostat	10	R
120211	Bracket	3	R, Y	124744	Water Outlet Cover	10	R
120329	Pipe, Carburettor	16, 56	R	124894	Reverse Operating Lever Assembly	28	
120331	Connection, Flexible	16, 19, 56	R	125046	Plug, Sparking	21, 127	A, R
120443	Bush, Pedal Shaft	39	R	125111	Ammeter	76	R
120941	Shim	43	A	125189	Fuse Box	79	A, Y
120946	Plunger	43		125195	Ignition Coil	61	R
120948	Bellows	43		125251	Washer	8	R, T, Y
120949	Shim	43		125361	Grease Nipple	9	P, R, Y
120953	Spring	43		125505	Gauge	59	A, P
120955	Socket, Ball	43		125781	Screw, Locating	42	
120957	Washer, Tab	43		125782	Plate, Locating	42	
120959	Shim	43		125957	Coil to Distributor Lead	80	R
120968	Nut, Lock	43		126577	Clip, Gaiter	44	
121219	Joint Washer	5	R, T, Y	126765	Spring	43	
121231	Lifting Eye, Plate Assembly, Front	4	A, R, Y	126792	Relay	122	R
121269	Starter Solenoid Switch	62	A	126845	Switch	53, 79	A, R, Y
121273	Carburettor Overflow	16	R	126862	Needle Bearing	28	
121274	Connection, Flexible	16	R	127380	Switch	79, 122, 127	
121295	Nut, Wheel, Centre Lock	41					
121296	Nut, Wheel, Centre Lock	41					

NUMERICAL INDEX

Part No.	Description	Page	Also Used on Models	Part No.	Description	Page	Also Used on Models
127385	Selector, Reverse Gear	25	R	129768	Panel Light Rheostat Switch	77	
127386	Selector, 1st/2nd Gear	25	R	129779	Sleeve, Reverse Selector	25	
127387	Fork, Selector, 3rd/Top Gear	25	R	129780	Reverse Actuator	25	
127651	Switch	77	C	129836	Lever, Tie Rod, R.H.	33	
127830	Tie Rod Lever, R.H.	33		129837	Lever, Tie Rod, L.H.	33	
127831	Tie Rod Lever, L.H.	33		129862	Bush, in Reverse Gear	28	A
127883	Flywheel to Crankshaft Dowel	6	B	129891	Switch, Trafficator	63	
127995	Pinion, R.H.S.	43		129894	Reverse Operating Lever Assembly	28	T
127996	Pinion, L.H.S.	43		129936	Hose, Top Radiator	10, 127	
127997	Bush, Pinion	43	A	129937	Reverse Spindle	28	
127998	Bush, Pinion, Upper	43		129938	Plate	28	
127999	Washer, Thrust, Upper	43		129939	Bush, 2nd Speed Gear	27	B
128000	Washer, Thrust, Lower	43		129940	Bush	27	B
128001	Plug, End	43		129941	Washer	27	B
128002	Bush, Rack Tube	43		129942	Washer	27	B
128004	Bellows, Pinion End	43		129943	Washer, Blue	27	B
128008	Pin	43		129944	Washer	27	
128020	Cover, End	43		129954	Screw	28	
128021	'O' Ring	43		129955	Washer	28	
128022	Nut, Lock	43		129956	Washer	28	
128023	Pin, Ball	43		129961	Inner Ball Joint Assembly	43	
128024	Housing, Ball	43		129963	Sleeve Adaptor	43	
128042	Slave Cylinder Support Bracket	23	R	129986	Shaft, Selector, 3rd/Top Gear	25	R
128043	Stay, Slave Cylinder	23	R	130031	Shim, .002"	43	
128055	Cross Member, Rear	30		130032	Shim, .010"	43	
128063	Sleeve, 1st/2nd Shaft	25		130038	Hose, Bottom Radiator	10, 127	
128066	Shaft, Selector	25		130039	Pipe, Connecting Bottom Water Hose	10	
128067	Fork, Selector	25		130044	Coupling, Flexible	42	
128074	Rocker Spring, Centre	5	R	130047	Front Engine Mounting	2	
128075	Rocker Spring, Intermediate	5	R	130481	Spring, Rocker, Intermediate	5	
128087	Washer	77	C	130537	Front Shock Absorber	35	
128088	Washer, Spring	63, 77		130539	Petrol Gauge	76	
128100	Gear, 1st Speed	27	B	130544	Windscreen Wiper Switch	78, 99	
128102	Hub	27	B	130581	Strip, Conductor	42	
128103	Gear	27		130829	Pad	50	R
128105	Countershaft	28		130882	Clip	56	
128107	Gear	28		130887	Master Cylinder Assembly (Clutch)	49	
128108	Gear, Countershaft, 2nd Speed	28	B	130888	Bracket Assembly	57	
128110	Wheel	28		130890	Clip, Pipe	57	
128192	Lamp, Reverse	127		130902	Shim, Pinion	43	
128318	Extension, Fan Hub	6		130903	Gaiter	44	
128319	Bolt	6		130904	Ball Joint Assembly	44	
128323	Bolt	42		130985	Front Engine Mounting	2	
128378	Flasher Warning Light	78	R	131060	Temperature Gauge	75	
128484	Voltage Stabilizer	77		131061	Temperature Gauge	75	
128838	Steering Column, Lower	42		131062	Temperature Transmitter	75	
128881	Number Plate Illumination Lamp	73		131099	Wheelbox Assembly, R.H.	64	
128933	Bearing	27	B	131100	Wheelbox Assembly, L.H.	64	
129077	Plug	5		131101	Tubing, Motor to 1st Wheelbox	64	
129094	Steering Column, Upper, Inner	42		131105	Wiper Arm, R.H.—R.H.S.	64	
129098	Adaptor	42		131106	Wiper Arm, L.H.—R.H.S.	64	
129277	Brake Pedal Assy., L.H.S.	48		131107	Wiper Arm, R.H.—L.H.S.	64	
129283	Cable Assembly, L.H.	46		131108	Wiper Arm, L.H.—L.H.S.	64	
129284	Cable Assembly, R.H.	46		131111	Wiper Blade	64	
129383	Stud	1	E, K, O	131113	Lead, Battery, Positive	80	
				131114	Lead, Starter	80	

NUMERICAL INDEX

Part No.	Description	Page	Also Used on Models	Part No.	Description	Page	Also Used on Models
131115	Lead, Battery, Negative	80		132909	Brake Master Cylinder Assy.	49	
131116	Lead, Engine to Earth	80		132924	Plug, closing Breather Pipe Aperture	3	
131151	Tubing, Wheelbox to Wheelbox	64		132933	Bracket, Exhaust Mounting Centre	30	
131155	Grommet	64		132951	Strap, Anti-Vibration	26	
131211	Sleeve, Pipe to Carburettor	19	A, P	133061	Elbow, Cylinder Head	99	
131225	Sleeve	73		133072	Clip	19	
131227	Horn Push Assembly	126	A	133083	Grommet	19	
131246	Knob	26		133103	Plug, Grease	43	A
131251	Flasher Unit	63		133117	Ammeter	76	
131253	Bracket, Fulcrum	47		133118	Petrol Gauge	76	
131321	Lever Assembly	45		133119	Temperature Gauge (Centigrade)	75	
131338	Harness	122		133120	Oil Pressure Gauge (lbs.)	76	
131339	Harness	122		133121	Oil Pressure Gauge (kilos)	76	
131340	Lead	127		133150	Front Shock Absorber	35	
131341	Harness	127		133202	Side Lamp	70	
131354	Lead, Feed—Black	70		133203	Front Flasher Lamp (Amber Lens)	71	
131446	Adaptor	42		133204	Front Flasher Lamp (White Lens)	72	
131465	Rim	73		133205	Front, Side and Flasher Lamp (White Lens)	72	
131479	Bracket Attachment Assy.	36		133206	Lead, Feed—Black	71, 72	
131503	Steering Column Assembly, Upper, Outer	42		133207	Sleeve	80	
131507	Change Speed Lever	26		133313	Lead, Extension	63	
131585	Rod, Stay	58		133321	Horn, Windtone, High Note	63	
131630	Mounting Block	44		133322	Switch, Horn	63	
131661	Master Cylinder (Brake) Assembly	49		133364	Gasket, Seating, Base	73	
131690	Washer, Spacing	26		133471	Bracket, Engine Restrictor	2	
131711	Strap, Anti-Vibration	26		133499	Plate, Mounting, R.H.	33	
131787	Spring, Anti-Rattle	48		133500	Plate, Mounting, L.H.	33	
131812	Switch, Lighting	77		133501	Hose	53	
131818	Starting Handle	126		133504	Upper Wishbone Arm Assembly—Front	31	
131831	Strap, Wiring	80		133507	Upper Wishbone Arm Assembly—Rear	31	
131963	Bracket, Mounting	36		133510	Lead	128	
131964	Bracket, Mounting	36		133608	Pipe	53	
131988	Cable Set	126		133613	Grip, Handbrake—Black	45	
132012	Master Cylinder Support Assembly	48		133637	Bracket Assembly, R.H.	29	
132028	Line Fuse, Tail Lamp	73		133638	Bracket Assembly, L.H.	29	
132053	Cap, Screw	43		133808	Brake Pedal Assy., R.H.S.	48	
132055	Shim	43		133838	Bottom Trunnion Assembly	34	
132074	Strip Assy., Skid Shield	30		133839	Bottom Trunnion Assembly	34	
132076	Strip Assy., Skid Shield	30		133872	Mounting Rubber, Rack and Pinion Steering Unit	44	
132116	Lead, Extension	77		134101	Front Shock Absorber	35	
132118	Block, Terminal	77		134293	Shim, Grease Seal	34	
132135	Ignition Starter Switch	77		134301	Lead, Earth	80	E, K, O
132388	Plunger, Reverse Selector	25		134316	Gaiter	32	
132389	Shaft Selector	25		134318	Seal, Oil	34	
132423	Switch	122		134319	Seal, Grease	34	
132424	Switch	122		134320	Washer, Lock	34	
132460	Control Box	79		134339	Pad, Lining, Assembly	50	
132465	Washer, Paper	24, 122		134435	Temperature Transmitter	75	
132472	Rev. Counter Bearing Assy.	8		134456	Radiator Block	58	
132604	Weight and Bush Assembly	26		134529	Switch, Stop Light	53	A, E, K, M, O, Z
132607	Clip, Vibration Damper	26		134541	Lever, Tie Rod—L.H.	33	
132608	Strap, Vibration Damper	26		134542	Lever, Tie Rod—R.H.	33	
132632	Upper Wishbone Arm	31					
132633	Upper Wishbone Arm	31					
132742	Bar, Tommy	59					
132766	Flywheel Assembly	126					
132852	Switch	126					

NUMERICAL INDEX

Part No.	Description	Page	Also Used on Models	Part No.	Description	Page	Also Used on Models
134670	Washer	27		140549	Clip	42	E, F, K, Z
134688	Pinion, L.H.S.	43	A, E, F	140690	Front Flasher and Cable Assembly (White Lens)	72	E, K
134689	Pinion, R.H.S.	43	F	141627	Steering Column Assembly	42	
134753	Plate, Reinforcing	44		141628	Switch, Trafficator	63	
134899	Lead, Earth, Instruments	80		141629	Steering Column Assembly, Upper, Locking	42	
136481	Lever, Bellcrank	19		141756	Seal, Front End Cover	24	
136482	Bolt, Shouldered	19		142135	Spring, Valve—Outer	4	
136489	Pipe Assembly	19		142136	Spring, Valve—Inner	4	
136567	Valve, Exhaust	4		142137	Collar, Valve Spring	4	
136642	Clamp, Ammeter	76		142413	Clutch Shaft Assembly	22	
136643	Clamp, Ammeter	76		142434	Gear, Constant	28	O
136865	'U' Bolt	39		142762	Battery, Heavy Duty, Dry	79	O
136885	Clamp Assembly	44		142940	Hose	20	
136932	Dowel, Distance Piece	39		200155	Oil Pump Assembly	11	J, R, T, Y
137191	Washer	4, 20	F	200156	Body	11	J, R, T, Y
137192	Spacer	4, 20	F	200157	Oil Pump Cover	11	J, R, T, Y
137216	Sleeve	80		200193	Spring Pan Assembly	34	
137338	Check Strap	40		200287	Housing Bearing	9	J, R, T, Y
137339	Bracket, Anchor, Axle Check Strap	29		200646	Pipe Assembly	13	J, R, T, Y
137531	Balance Weight, ½ oz.	41	L, Z	200659	Upper Fulcrum Pin—Inner	31	R
137629	Setscrew	40		200771	Ball Joint Assembly, R.H.	32	
137630	Front Dipper Switch	79	E, F, O, Z	200772	Ball Joint Assembly, L.H.	32	
137634	Distance Piece, R.H.	39		200906	Plate	3	R
137635	Distance Piece, L.H.	39		201493	Front Brake Drum	52	B, R
137651	Bush, Clutch Shaft	24	O	201622	Gearbox and Clutch Housing Assembly	24	
137835	Switch, Stop Light	53	V	201623	Pedestal, Distributor	8	R
137974	Hose	4, 20		201763	Front Exhaust Pipe Assy.	57	R
137988	Spring	26		201782	Connecting Rod Assembly	7	R, T
138073	'Y' Piece and Support Bracket Assembly	4		201803	Vertical Link	33	
138078	Extension	4, 20		201870	Nave Plate	41	R
138098	Hose	4, 20		201898	Road Spring	35	
138099	Hose	4, 20	F, O	201899	Road Spring	35	
138118	Air Cleaner	20		201984	Tray	126	R
138176	Cap, Oil Filler, and Breather Assembly	4	A, E, F, O, Z	201990	Crossmember	29	R
138308	Pipe Assembly, Flexible Pipe to Oil Pressure Gauge	13		202069	Cable Assembly	45	R
138527	Bolt, Flywheel Assembly to Crankshaft	6	O	202127	Cylinder Head Gasket	3	R, T
138528	Bolt, Connecting Rod Attachment	7		202267	Rear Brake Drum	52	R
138910	Master Cylinder Support Bracket	48		202320	Exhaust Silencer	57	R
138911	Mounting Bracket	53		202388	Rear Shock Absorber, R.H.	40	R
138954	Connection, Four Way	53		202389	Rear Shock Absorber, L.H.	40	R
139033	Lead, Extension	79		202390	Rear Shock Absorber, R.H.	40	
139314	Seal, Front End Cover	24		202391	Rear Shock Absorber, L.H.	40	
139386	Mounting Rubber	44	E, F, O, Z	202446	Extension, Hub, R.H.	26, 33, 38	R
139489	Plate, Rear Spring	39		202447	Extension, Hub, L.H.	26, 33, 38	R
139951	Washer, Thrust Diff. Pinion	37	O	202775	Gasket, Combustion Head	3	R
139952	Washer, Thrust Diff. Pinion	37	O	202791	Starter Motor	62	T, Y
139953	Washer, Thrust Diff. Pinion	37	O	202834	Gear, Ring	6, 126	T, Y
139954	Washer, Thrust Diff. Pinion	37	O	203131	Air Cleaner	20	R
139955	Washer, Thrust Diff. Pinion	37	O	203189	Friction Disc, Front Brake Caliper	51	R
139956	Washer, Thrust Diff. Pinion	37	O	203271	Oil Filter Assembly (Full Flow)	13	R, T, Y
140508	Gear, Countershaft, 2nd Speed	28	O	203530	Tail Pipe and Silencer Assy.	57	R
140509	Gear, Countershaft, 3rd Speed	28	O	203660	Rear Cover Assembly	38	B, R, T, Y
				203781	Housing, Thermostat	10	T, Y
				204215	Constant Pinion Shaft	27	R
				204378	Cover	51	
				204379	Cover	51	

NUMERICAL INDEX

Part No.	Description	Page	Also Used on Models	Part No.	Description	Page	Also Used on Models
204741	Clip, Horn, Assembly	63	A	208639	Crossmember	29	
205020	Breather Pipe Assembly	3	R, T, Y	208643	Distributor	61	
205481	Cylinder Head Gasket	127		208655	Speedometer (Mile)	74	
205939	Dynamo	62	A, T	208656	Speedometer (Kilo)	74	
206479	Rear Brake Assembly	51	R	208657	Speedometer (Mile)	74	
206480	Rear Brake Assembly	51	R	208658	Speedometer (Kilo)	74	
206501	Back Plate Assembly, L.H.	50	R	208685	Horn, Windtone (Low)	63	
206502	Back Plate Assembly, R.H.	50	R	208686	Horn, Windtone (High)	63	
206506	Front Brake Caliper Assy.	50	R	208821	Handbrake Assembly	45	
206507	Front Brake Caliper Assy.	50	R	208945	Pipe, Petrol	56	
206590	Accelerator Pedal Assembly	47	R	208972	Distributor	60	
207535	Carburettor Assy., Front	14	R	209092	Distributor, 86 mm. Engine	61	
207536	Carburettor Assy., Rear	14	R	209099	Rear Brake Assembly, L.H.	51	
207613	Rear Axle Shaft	38	R	209100	Rear Brake Assembly, R.H.	51	
208051	Mainshaft	27	B, T	209182	Speedometer (Mile)	74	
208052	Mainshaft	122	C	209183	Speedometer (Kilo)	74	
208062	Speedometer (Mile)	74		209184	Speedometer (Mile)	74	
208063	Speedometer (Kilo)	74		209185	Speedometer (Kilo)	74	
208066	Speedometer (Mile)	74		209186	Speedometer (Mile)	74	
208067	Speedometer (Kilo)	74		209187	Speedometer (Kilo)	74	
208075	Propellor Shaft BRD.	41		209188	Speedometer (Mile)	74	
208090	Rev. Counter	75		209189	Speedometer (Kilo)	74	
208095	Distributor	60		209194	Rev. Counter	75	
208096	Plate, Low Compression	3		209195	Petrol Tank Gauge Unit	55	
208098	Adaptor Plate, Overdrive Unit to Gearbox	123	R	209269	Air Cleaner	20	
208113	Bracket, L.H.	29		209325	Cover, Dust Assy., R.H.	51	
208114	Bracket, R. H.	29		209326	Cover, Dust Assy., L.H.	51	
208205	Shock Absorber (Rear), R.H.	40		209327	Friction Disc, Front Brake Caliper	51	
208206	Shock Absorber (Rear), L.H.	40		209380	Pipe	53	
208207	Stop, Tail, Flasher and Reflex Lamp	73		209411	Accelerator Pedal Assy., R.H.S.	47	
208208	Stop, Tail, Flasher and Reflex Lamp	73		209423	Bearing Assembly, Steering Column	97	
208209	Petrol Tank Gauge Unit	55		209494	Rear Shock Absorber	40	
208285	Pipe, 3-Way Connection, L.H.	54		209495	Rear Shock Absorber	40	
208286	Pipe, 3-Way Connection, R.H.	53		209603	Exhaust Silencer	57	
208287	Pipe, 5-Way Connection, to Front L.H. Hose Brkt.	53		209792	Fan Assembly	6	
208288	Pipe, 5-Way Connection, to Front R.H. Hose Brkt.	53		209832	Carburettor Assy., Front	17	
208375	Rack	43		209833	Carburettor Assy., Rear	17	
208455	Handbrake Assembly	45		209870	Pipe	54	
208495	Pipe, Petrol Tank to Connector	56		209964/M	Leaf, Main	39	
208503	Pipe, Vent, Assembly	55		209964	Rear Road Spring	39	
208528	Pipe, Master Cylinder to 5-Way Conn., R.H.S.	53		210868	Pipe, 3-Way	53	
208531	Pipe, Master Cylinder to Hose Bracket, L.H.S.	54		210903	Front Road Spring (Coil)	35	
208571	Bar, Anti-Roll	36		211044	Connecting Rod Assembly	7	
208604	Cross-Tube Assembly, Top	29		211804	Cover, Dust—R.H.	51	
208606	Pipe, Heater	99		211805	Cover, Dust	51	
208634	Pipe	13		212008	Air Cleaner	20	
208636	Road Spring (Rear), Driver's Side	39		212273	Air Cleaner and Silencer Assembly	20	
208636/M	Main Leaf	39		212275	Cover, Top Assembly	20	
208637	Road Spring, Rear	39		212277	Backplate Assembly	20	
208637/M	Main Leaf	39		212278	Element (Upper)	20	
				212285	Gearbox and Clutch Housing Assembly	24	
				301237	Bracket Assembly	29	R
				301238	Bracket Assembly	29	R
				301318	Sump	126	R
				301466	Camshaft	7	R
				301644	Radiator Skid Shield	30	R

NUMERICAL INDEX

Part No.	Description	Page	Also Used on Models	Part No.	Description	Page	Also Used on Models
301815	Crankshaft Assembly	6	R, T, Y	500047	Circlip, on Spindle	9	J, R, T, Y
302155	Differential Casing	37	R, T, Y	500057	Washer, Lock	107	
302262	Disc, Road Wheel	41	R	500098	Grease Nipple	22, 44, 46	B, J, P, R, T, Y
303059	Pipe Assembly	56		500172	Washer, Plain	95	
303754	Pipe	56	R	500318	Circlip	13	J, P, R, T, Y
304008	Road Spring	39		500319	Spring	13	J, P, R, T, Y
304164	Exhaust Manifold	11	R	500320	Gasket	13	J, P, R, T, Y
304677	Rocker Cover Assembly	4		500321	Seal for Sump Bottom	13	J, P, R, T, Y
304692	Gearbox and Clutch Housing	24		500322	Washer	13	J, P, R, T, Y
304711	Front Engine Plate	2		500328	Seal, Relief Valve	13	J, P, R, T, Y
304849	Petrol Tank Assembly	55		500329	Washer, Relief Valve	13	J, P, R, T, Y
304854	Axle Casing Assembly	37		500330	Seal for Sump Top	13	J, P, R, T, Y
304856	Chassis Frame Assembly	29		500417	Filter Bowl	12	J, P, R, T, Y
304988	Steering Wheel	34		500418	Gasket	12	J, P, R, T, Y
305048	Gearbox Extension	24	R	500419	Gauze	12	J, P, R, T, Y
305059	Pipe Assembly	16, 56		500420	Casting	12	J, P, R, T, Y
305063	Overdrive Unit Assy.	122, 123	R	500439	Guide, Element, Bottom	13	R, T, Y
305281	Main Harness, L.H.S.	80		500463	Washer, on Setscrew	1	J, R, T, Y
305321	Main Harness, R.H.S.	79		500464	Copper Washer	1, 3	A, B, J, P, R, T, Y
305385	Pipe, Master Cylinder to Hose Bracket, R.H.S.	54		500482	Bulb	65	A, B, J, P, R, T, Y
305386	Pipe, Master Cylinder 5-Way Conn., L.H.S.	53		500524	Service Kit, Petrol Pump	12	J, R, T, Y
305547	Manifold	11		500555	Pin	47	
305610	Main Harness, R.H. Steering	80		500568	Washer	123	R, T, Y
305611	Main Harness, L.H. Steering	80		500570	Plug	123	R, T, Y
305614	Rocker Cover Assembly	4		500574	Shaft	123	R
305647	Rack and Pinion Assembly, L.H.S.	43		500576	Studs	123	J, R, T, Y
305648	Rack and Pinion Assembly, R.H.S.	43		500577	Studs	124	R, T, Y
305692	Front Brake Caliper Assy. (Type 16P)—R.H.	50		500578	Stud	123	
305693	Front Brake Caliper Assy. (Type 16P)—L.H.	50		500579	Stud	125	R, T, Y
305717	Bracket Assembly, R.H.	29		500581	Guide	123	R, T, Y
305718	Bracket Assembly, L.H.	29		500582	Plug	123	R, T, Y
305719	Chassis Frame Assembly	29		500585	Plug	123	
305744	Manifold, Inlet	11		500587	Bridge Piece	124	R, T, Y
305773	Rack and Pinion Body, R.H.S.	43		500588A	Adjustable Washer	124	R, T, Y
305774	Rack and Pinion Body, L.H.S.	43		500588B	Adjustable Washer	124	R, T, Y
305929	Rack and Pinion Assembly, L.H.S.	43		500588C	Adjustable Washer	124	R, T, Y
305930	Rack and Pinion Assembly, R.H.S.	43		500588D	Adjustable Washer	124	R, T, Y
305984	Chassis Frame Assembly	29		500588E	Adjustable Washer	124	R, T, Y
305995	Pipe Assembly	19, 56		500588F	Adjustable Washer	124	R, T, Y
305997	Suction Pipe Assembly	19		500588G	Adjustable Washer	124	R, T, Y
306363	Petrol Tank Assembly	55		500591	Plunger	123	R, T, Y
306502	Chassis Frame Assembly	29		500592	Spring	123	R, T, Y
306527	Rocker Cover Assembly	4		500593	Pin	123	R, T, Y
306645	Main Harness	79	O	500594	Seal	123	R, T, Y
307245	Wood Steering Wheel Assy.	126	E, F	500597	Oil Pump Plunger Assy.	123	R, T, Y
401869	Radiator Block	58		500602	Annulus Assembly	124	R, T, Y
401894	Control, Outer	78		500605	Rings, Piston, Inner	124	R, T, Y
401895	Control, Inner	78		500611	Washer	124	R
401900	Control, Outer	78		500613	Washer	124	R, T, Y
401901	Control, Inner	78		500618	Lever	123	R, T, Y
402001	Radiator Block	58		500620	Drain Plug	123	R, T
				500623/E	Adjustment Washer	124	R, T, Y
				500623/F	Adjustment Washer	124	R, T, Y
				500623/G	Adjustment Washer	124	R, T, Y
				500623/H	Adjustment Washer	124	R, T, Y
				500623/J	Adjustment Washer	124	R, T, Y
				500627	Oil Pump Operating Cam	123	R, T, Y
				500630	Spring	124	R, T, Y
				500631	Clutch Spring	124	R, T, Y
				500632	Clutch Spring	124	R, T, Y
				500633	Spring	123	R, T, Y

NUMERICAL INDEX

Part No.	Description	Page	Also Used on Models	Part No.	Description	Page	Also Used on Models
500634	Accumulator Pressure Spring (Large)	124	R, T, Y	502269	Glass	75, 76	R
500636	Circlip	124	R, T, Y	502287	Bulb	72, 73, 127	
500637	Circlip	124	R, T, Y	502291	Plate Retainer, Light Unit	65, 66, 67, 70	
500640	Bearing	124	R, T, Y	502342	Holder	78	R
500641	Washer	123	R, T, Y	502343	Holder	78	R
500642	Washer	124	R, T, Y	502363	Cylinder Block Assembly	1	R
500645	Joint Washer	124	R, T, Y	502373	Body and Primer Assembly	12	R
500655	Rear Casing with Studs	125	R, T, Y	502374	Ball Assembly	12	R
500658	Operating Valve	123	R, T, Y	502379	Bulb	71, 72, 73	
500660	Clutch Thrust Ring Assy.	124	R, T, Y	502406	Screw	71	
500661	Clutch Sliding Member Assembly	124	R, T, Y	502459	Wing Mirror	127	
500666	Studs	123	R, T, Y	502476	Screw, Self-Tapping	96	
500729	Cover	79		502505	Clip	91	T
500756	Stud	125	R, T, Y	502509	Nut, Buffer Attachment	86	
500905	Screwdriver and Distance Gauge	59	J, P, T	502550	Steel, Roller Set	124	R, T, Y
500934	Three Pin Adaptor	66	A, B, J, P, R, T, Y	502555	Clutch Brake Ring	124	R, T, Y
500992	Spring	22	J, R, T, Y	502558	Uni-Directional Clutch	124	R, T, Y
500998	Light Unit	65	A, B, J, P, R, T, Y	502559	Cage	124	R, T, Y
501005	Diaphragm Assembly	11, 127	J, R, T, Y	502560	Breather	124	P, R, T, Y
501024	Nipple	32		502565	Accumulator Assembly Piston	124	R, T, Y
501026	Pin	45	R	502566	Solenoid Bracket	124	R
501077	Sump	13	J, R, T, Y	502567	Collar	123	R
501131	Nut, Eyelet	22	J, R, T, Y	502568	Lever	123	R
501132	Eyebolt	22	J, R, T, Y	502648	Spoke, Outer	41	R
501134	Plate, Clamping, Distributor	60		502649	Spoke, Inner	41	R
501211	Lever, Release	22	J, R, T, Y	502650	Nipple	41	R
501258	Washer	25	A, B, P	502798	Lead, Feed, Green	72	
501347	Ignition Warning Light	78	R	503159	Front Casing	123	R
501421	Bulb	65	R	503161	Piston, Operating	124	R, T, Y
501433	Lead and Cap Assembly	65	R	503162	Ring, Piston, Inner	124	R, T, Y
501436	Bulb	66, 127		503163	Bolt	123	R
501473	Light Unit Adaptor	66	B, J, P, R, T, Y	503164	Nut	123	R, T, Y
501475	Bulb, 12 Volt, Vertical Dip	66, 67	A, B, P, R, T, Y	503166	Washer	123	R, T, Y
501478	Cable and Adaptor	66	B, P, R, T, Y	503167	Spring	124	R, T, Y
501488	Water Pump Assembly	9	R	503208	Washer, Plain	113	
501542	Float Chamber Assembly	15	R	503213	Sleeve	80	Y
501543	Needle and Seat	15	R	503438	Washer, Lock	120	
501608	Clutch (9") Throw Out Bearing	22	R, T, Y	503465	Trip, Flex, Speedo	74	
501702	Fog Lamp	127		503466	Screw, Trip Flex	74	
501703	Spot Lamp	127		503527	Nut	62	R, T, Y
501707/LV	Fluid, Brake	54, 59	A, P, R	503528	Main Spring	62	R, T, Y
501713	Light Unit	65		503529	Pinion and Sleeve Assembly	62	R
501717	Cap Assembly	60, 127	A, B, P, R, T	503530	Bracket	62	
501718	Brush and Spring Cap, Centre	60	A, B, P, R, T, Y	503531	Coil	62	
501728	Sundry Parts Set	60	A, B, P, R, T, Y	503534	Washer, Rubber	73	A, B, T, Y
501794	Washer, Plain	77, 91		503537	Rim	65, 66, 67, 70	A, T, Y
501795	Washer, Plain	102		503540	Spring	65, 66, 67, 70	R, T
501822	Interior Bulbholder	72		503594	End Cover	64	A, B, T
501823	Bulbholder	71	B, T	503596	Armature	64	P, R, T
502064	Weight	41	R, T, Y	503597	Coil, Field	64	P, Y
502126	Aluminium Oil Sump Kit	2, 126	R	503601	Rod Assembly	64	
502127	Crown Wheel and Pinion	37	R	503602	Shaft and Gear Assembly	64	
502147	Bezel	78	R	503603	Sundry Parts Set	64	A, B, P, R, T, Y
502212	Light Unit	66	A, B, P, R, T, Y	503681	Contact Set	60, 127	A, B, P, R, T, Y
502268	Glass	74, 75		503684	Plate	60	A, B, P, T, Y
				503685	Plate	60	A, B, P, T, Y
				503690	Earth Lead	60	A, B, P, T, Y
				503697	Vacuum Unit	60	R
				503771	Body Assy., Carburettor	14	R

NUMERICAL INDEX

Part No.	Description	Page	Also Used on Models	Part No.	Description	Page	Also Used on Models
503772	Body Assy., Carburettor	14	R	505057	Pipe, Five Way Connection	53	R
503774	Suction Chamber and Piston Assembly	14	R	505081	Spring, Pull Off	52	R
503776	Damper Assembly	14	T, R	505088	Lever Assembly, Handbrake	52	R
503781	Jet and Head Assembly	14	R	505091	Spring, Retaining	52	R
503789	Jet Lever	14	R	505092	Plate, Locking	52	R
503790	Link, Jet Lever	14	R	505093	Cover, Dust	52	R
503793	Link, Jet Lever	14	R	505094	Washer, Distance	52	R
503796	Washer	14	R	505124	Motor and Gearbox	64	A, P, R, T
503798	Pin, Link Rod	14	R	505125	Gear, Brush	64	P, R
503800	Cam	14	R	505126	Brush Set	64	J, P, R, T, Y
503801	Rod, Link	14	R	505155	Clip, Cable	80	
503803	Washer, Spring	14	R	505187	Connector	126	P
503806	Bolt, Choke	14	R	505239	Valve Assembly	12	A, B, P, T, Y
503811	Bolt	15	R	505281	Decarbonising Set	1	R
503812	Washer	15	R	505287	Spring	13	R, T, Y
503813	Grommet	15	R	505288	Cover, Valve	13	R, T, Y
503816	Throttle Spindle	15	R	505289	Bolt, Centre	13	R, T, Y
503817	Disc, Throttle	15	R, T	505290	Gasket, Copper	13	R, T, Y
503818	Lever	15	R	505300	Head, Filter	13	R, T, Y
503819	Stop, Throttle	15	R	505307	Washer, Lock	87	
503820	Stop, Throttle	15	R	505367	Battery	79	R, T, Y
503821	Stop, Screw	15	A, R, T	505507	Oil Pump Body	123	R, T, Y
503822	Spring	15	A, R	505508	Cam Lever	123	
503823	Rod, Connecting, Throttle Spindle	16	R	505545	Planet Carrier Assembly	124	R
503941	Washer, Plain	15	R	505546	Bearing	124	R
503997	Screw, Locking Needle	14	R	505547	Thrust Washer	124	R, T, Y
504028	Needle, Jet	14	R	505549	Sunwheel Assembly	124	R, T, Y
504029	Light Unit	67	A, R, T, Y	505550	Washer	123	R, T, Y
504605/O	Cable, Outer—L.H.S.	122	P, R, T, Y	505551	Tube	123	R, T, Y
504605/I	Cable, Inner—L.H.S.	122	P, R, T, Y	505702	Repair Kit	59	
504607/O	Cable, Outer	74		505703	Repair Kit Rear Wheel Cylinder	59	R
504607/I	Cable, Inner	74		505704	Repair Kit	59	
504611/O	Cable	122		505869	Sundry Parts Set	126	
504611/I	Cable	122		505883	Body	71, 72	
504617/O	Cable, Outer	75	R	505884	Rim	71, 72	
504617/I	Cable, Inner	75	R	505886	Glass	72	
504798	Ignition Wiring Set	21		505887	Glass	71	
504806	Sleeve, Side Lamp Cable	71, 72	P, R, T, Y	506157	Nut, Jam	26	
504825	Piston	50	R	506165	Wheel	41	
504826	Ring, Piston Sealing	50	R	506166	Wheel	41	
504827	Boot, Rubber	50	R	506167	Wheel	41	
504834	Washer, Shakeproof	50	R	506168	Wheel	41	
504835	Rear Wheel Cylinder Assembly	52	R	506169	Wheel	41	
504837	Piston	52	R	506170	Wheel	41	
504838	Cover, Dust	52	R	506171	Wheel	41	
504839	Retainer	52	R	506172	Wheel	41	
504842	Plunger, Master Cylinder	49	B, R	506370	Headlamp Assembly	65	R
504848	Piston	22	R	506371	Headlamp Assembly	65	R
504849	Seal, Piston	22	R	506372	Headlamp Assembly	65	R
504850	Circlip, Piston Stop	22	R	506373	Headlamp Assembly	66	R
504851	Cover, Dust	22	R	506375	Headlamp Assembly	66	R
504852	Rod, Push	22	R	506376	Headlamp Assembly	66	R
504862	Rotor and Spindle Assembly	11	J, R, T, Y	506377	Headlamp Assembly	67	R
504948/I	Cable	74	P, Y	506619	Interior Bulbholder	70	
504948/O	Cable	74	P, Y	506667	Repair Kit	59	
505014	Crown Wheel and Pinion Assembly	37	R, Y	506691	Piston Assembly	8	R
				506727	Float Chamber Lid	15	R
				506728	Float Chamber Lid	15	R
				506729	Nut, Cap	15	R

NUMERICAL INDEX

Part No.	Description	Page	Also Used on Models	Part No.	Description	Page	Also Used on Models
507082	Bushing	60	A, B, P, R, T, Y	509649	Sleeve, Synchro 3rd and Top	27	O
507083	Clip, Cap Retaining	60	A, B, P, R, T, Y	509656	Screw, Self-Tapping	113	
507086	Screw	65, 66, 67, 70	A, R, Y	509744	Screw	96	
507087	Screw	65, 66, 67, 70	A, R, Y	509816	Combination Tool	59	R
507088	Light Unit	65	A, R, Y	509821	Nut	15	R
507223/O	Cable, Rev. Counter, R.H.S., Outer	75		509827	Engine Gasket Set	1	R
507223/I	Cable, Rev. Counter, R.H.S., Inner	75		509829	Front Suspension Unit, R.H.	31	
507298	Lead, Flasher Lamp	71, 72	T	509830	Front Suspension Unit, L.H.	31	
507299	Lead, Side Lamp	72	T	509831	Front Suspension Unit, R.H.	31	
507819	Screw	111, 120		509832	Front Suspension Unit, L.H.	31	
507905	Cap	105		509847	Bulb, Main	70	
508051	Screw	97	A	509852	Top Cover Assembly	25	
508139	Bulb Holder	74, 75, 76		509872	Fix, Spire	94	
508165	Bulb Holder and Plate Assembly	71, 72	B, T	509984	Oil Filter	123	
508169	Brush Gear	64, 126		509985	Magnet	123	
508170	Brush Set	64, 126		509990	Headlamp Assembly	70	
508182	Crosshead and Rack	64	A	510015	Washer, Plain	90	
508545	Interior	73		510016	Washer, Shakeproof	90	
508574	Headlamp Assembly	66	P	510018	Screw, Set	90	
508726	Clip, Cable	80	A	510043	Dog, Driving	60	
508817	Spring	52		510066	Screw	95, 120	
508818	Spring	51	R	510084	Combustion Head Assembly (Less Valves and Springs)	3	
508853	Gasket	12	R	510125	Screw	93	
508854	Retainer	12	R	510159	Engine Lead Group	80	
508875	Washer, Plain	87		510197	Rod, Push, Assembly	49	
508980	Retainer, Oil Seal	12	E, K, O	510207	Carburettor Repair Kit	15	R
508981	Washer, Oil Seal	12	E, K, O, T	510212	Headlamp Assembly	67	R
509049	Spring, Brake Damping	50	R	510213	Headlamp Assembly	67	R
509050	Screw, Bleed	50	R	510219	Bulb	67	R
509051	Plate	50	R	510234/O	Cable, Outer, L.H.S.	75	
509058	Pin, Pad Retaining	50		510234/I	Cable, Inner, L.H.S.	75	
509059	Clip	50		510239	Screw, Set	126	
509167	Suction Pipe Assembly	16	R	510326	Book, Instruction	59	
509191	Screw	73		510368	Nut	77	
509207	Brake Shoe Set	52	R	510369	Nut	77	C
509224	Screw, S/T	105, 110		510473	Rivet, Bracket Attachment	106	
509279	Screw	87, 90, 92, 128		510475	Bulb	66	
509302	Brush Set	62	T, Y	510481	Screw	106	
509303	Bracket	62	T, Y	510488	Nut, Lock	87	
509304	Bush	62	T, Y	510503	Screw, Set	87	
509305	Oiler Assembly	62	T, Y	510504	Screw, Set	87	
509306	Spring	62	T, Y	510506	Washer, Lock	87	
509307	Bearing	62	T, Y	510507	Washer, Plain	87	
509308	Bracket	62	T, Y	510545	Combustion Head (Less Valves and Springs)	3	
509309	Nut, Shaft	62	T, Y	510584	Anti-Roll Bar Kit	36	
509311	Armature Assembly	62	T, Y	510590	Windscreen Wiper Kit	126	
509316	Bolt	62	T	510632	Terminal, Bush and Lead Assembly	60	A
509317	Set, Sundry Parts	62	T, Y	510638	Weight, Auto Advance	60	
509318	Bush	62	T, Y	510640	Cam	60	A
509319	Condenser	6, 127	T, Y	510691	Clip, Wiring	80	
509321	Cam	61		510706	Reverse Lamp	127	
509323	Screw, S/T	60	A	510790	Pad, Lining, Assembly	50	
509324	Plate	60	T, Y	510809	Shim, Damping	50	
509355	Screw	73		510844	Cap, Filler	49	
509374	Field Coil	62	R	510845	Gasket	49	
509537	Circlip	43		510847	Seal, Plunger	49	
509557	Screw	95	C	510875	Glass	73	
509620	Hold Up Bolt Kit	15	R	510889	Spring, Auto Advance	60	

NUMERICAL INDEX

Part No.	Description	Page	Also Used on Models	Part No.	Description	Page	Also Used on Models
510890	Unit, Vacuum Control	60		511086	Connector	60	
510891	Rim	67, 70		511093	Motor and Gearbox	126	
510892	Light Unit	67, 70		511094	Cover, End	126	
510893	Spring, retaining Bulb	67, 70		511095	Coil, Field	126	
510894	Bulbholder, Main	67, 70		511096	Rod, Connecting	126	
510895	Gasket, Rubber	67, 70		511137	Plunger	49	
510896	Light Unit	67		511138	Seal	49	
510897	Rim and Lens	70		511165	Tube, P.V.C.	127	
510898	Ring, Sliding	70		511166	Reverse Lamp Kit	127	
510899	Gasket, Seating Lens	70		511176	Front Suspension Unit, R.H.	31	
510900	Gasket, Seating, Lamp	70		511177	Front Suspension Unit, L.H.	31	
510901	Bulbholder and Plate	72		511178	Front Suspension Unit, R.H.	31	
510902	Lens (Amber)	73		511179	Front Suspension Unit, L.H.	31	
510903	Bezel	73		511194	Washer, Plain	102	
510904	Screw	73		511195	Washer, Lock, Double Coil	102	
510905	Screw	73		511200	Cam	61	
510906	Gasket, Seating Lens	73		511201	Spring	61	
510907	Interior, Flasher Unit	73		511202	Unit, Vacuum Control	61	
510910	Lens (Red)	73		511292	Front Suspension Unit, R.H.	31	
510912	Body	73		511293	Front Suspension Unit, L.H.	31	
510914	Engine Unit	1		511294	Front Suspension Unit, R.H.	31	
510915	Engine Unit	1		511295	Front Suspension Unit, L.H.	31	
510918	Combustion Head Assembly	3		511392	Plate, retaining Light Unit	66	F
510919	Combustion Head Assembly	3		511393	Rim	66	F
510920	Gearbox Unit (Less Gear Lever)	24		511394	Screw	66	E, F, O
510921	Overdrive Gearbox Assembly	125		511668	Screw, Wood	96	
510922	Rear Axle Assembly	37		511669	Screw, Wood	96	
510923	Rear Axle Assembly	37		511670	Screw, Wood Link to Lid and Facia	96	
510929	Sleeve	70		511671	Screw	96	
510942	Rear Wheel Cylinder Assembly	52		511695	Combustion Head Assembly, 86 mm.	3	
510944	Piston	52		512161	Outer, Spoke (60)	41	
510945	Seal, Gland	52		512162	Inner, Spoke (60)	41	
510946	Spring	52		512224	Headlamp Assembly	69	F, K, M
510969	Clip	74		512241	Light Unit	69	A, F, K, M, Z
510986	Motor and Gearbox	64		512274	Screw and Spring Washer	18	
510990	Starting Handle Kit	126		512275	Cover, Suction Chamber	18	
511001	Bolt, Fixing	126		512276	Screw and Spring Washer	18	
511002	Cover, End	64		512277	Ring	18	
511003	Armature	64, 126		512278	Diaphragm, Air Valve	18	
511004	Coil, Field	64		512279	Air Valve and Shaft Diaphragm Assembly	18	
511005	Stud	126		512280	Screw	18	
511009	Cap	60		512282	Spring	17	
511010	Plate	60		512283	Throttle	17	
511020	Overdrive Kit	122		512284	Screw, Throttle to Spindle	17	
511021	Overdrive Kit	122		512285	Spindle, Throttle	17	
511027	Cover, Top	25, 122		512286	Spring	17	
511029	Bulb	73		512287	Nut	17	
511044	Washer	84a, 129		512288	Screw	17	
511047	Washer, Lock	109		512289	Lever	17	
511049	Nut, Bonnet	87		512290	Lever	17	
511060	Washer, Plain	109					
511061	Washer, Plain	109					
511062	Bolt	109					
511070	Nozzle & Bush Assy., R.H.	101					
511071	Nozzle & Bush Assy., L.H.	101					
511075	Continental Touring Kit	127					
511078	Shaft and Gear Assembly	64, 126	C				
511079	Screw, Self-Tapping	94					

NUMERICAL INDEX

Part No.	Description	Page	Also Used on Models	Part No.	Description	Page	Also Used on Models
512291	Washer, Shakeproof	17		512781	Wire	43	F, K
512292	Nut	17		513730	Grommet	72	F, K, O
512293	Lever	17		514065	Gasket	72	F, K
512294	Spring	17		514421	Lens (White)	72	F, K
512295	Lever	17		514422	Screw, lens fixing	72	F, K
512296	Spring	17		514469	Gasket, Repair Set	19	
512297	Bar	17		514578	Light Unit	68	F, K
512298	Ring	17		514579	Headlamp Assembly	68	F, K
512299	Pin, Float, Fulcrum	18		514600	Power Stop Vacuum Servo Kit	126	
512300	Clip	18		514647	Ignition Wiring Set	21	R, V, Y
512301	Washer	18		514677	Repair Kit Master Cylinder	59	
512302	Needle and Seat	18		516515	Spray (Spa White)	129	
512303	Float Chamber	18		516516	Pencil (Spa White)	129	
512304	Washer, Spring, on Screw	18		550026	Washer	86	A
512305	Screw and Spring Washer (Short)	18		550090	Bolt	108	
512306	Screw and Spring Washer (Long)	18		550924	Washer, Waved	89	
512307	Screw	18		551051	Clip, Insulating Strip	96	
512308	'O' Ring	18		551490	Clip	74	
512309	Gasket, Float Chamber	18		551491	Clip	58	P
512310	Float and Arm	18		552075	Pin, Hinge	102	
512311	'O' Ring	18		552218	Moulding	108	R
512312	Screw, Bushing, Retaining	18		552650	Socket	104, 112	R
512313	Orifice, Jet	18		552651	Plate	104, 112	R
512315	Spring, Jet Orifice	18		553252	Button	111, 113	A
512316	Washer	18		554194	Plate	89	T, Y
512317	'O' Ring fitted in Bushing	18		554217	Ignition Locking Barrel	77	A, P, T, Y
512318	Bushing, Jet Orifice	18		554407	Rivet	110	
512319	Washer, Bushing	18		554517	Socket	111, 113	A
512320	Washer	18		555437	Pad, Hairlok, Squab	114	
512321	Spring	18		555438	Hairmat Cushion	115, 116	R
512322	Main Body Assembly	17		556046	Touch-in Spray (British Racing Green)	129	
512323	Needle, Metering	18		556047	Touch-in Spray (Signal Red)	129	
512324	Clip	17		556052	Touch-in Spray (Black)	129	
512325	Spring	17		556633	Front Seat Cushion Cover	115, 116	
512326	Pin	17		556634	Front Seat Cushion Cover	115, 116	
512327	Damper Assembly	18		556635	Front Seat Cushion Cover	115, 116	
512328	Elbow	17		556640	Front Seat Cushion Cover	115, 116	
512329	Bar	17		556641	Front Seat Cushion Cover	115, 116	
512330	Spring	17		556642	Front Seat Cushion Cover	115, 116	
512332	Lever	17		556647	Front Seat Squab Cover	114	
512333	Washer	17		556648	Front Seat Squab Cover	114	
512334	Nut	19		556649	Front Seat Squab Cover	114	
512335	Coupling Assembly	19		556653	Front Seat Squab Cover	114	
512336	Spindle Assembly, Throttle Coupling	19		556654	Front Seat Squab Cover	114	
512337	Spindle Assembly	19		556655	Front Seat Squab Cover	114	
512338	Coupling Assembly	19		557046	Device, Locking	82	
512339	Washer	19		557883	Touch-in Spray (Powder Blue)	129	
512340	Screw	19		557922	Rivet, Tie Bracket Attachment	106	
512351	Repair Kit Wheel Cylinder	59	D	559702	Stud	111, 112	
512393	Setscrew	95		561162	Clip	111	C
512457	Combustion Head Assembly, 86 mm.	3					
512458	Combustion Head Assembly, 83 mm.	3					
512498	Spring	61					
512499	Unit, Vacuum Control	61					
512540	Pad, Lining Assembly	50					
512541	Pad, Lining Assembly	50	E2 Litre, K				

NUMERICAL INDEX

Part No.	Description	Page	Also Used on Models
561210	Rivet, Imex, Retainer Attachment	106, 113	
561341	Stud	120	
562134	Socket, Dot	105	
562604	Latch	120	
562616	Rear Wheelarch Cover, Black	113	
562893	Strip, Glazing	90	
563032	Back, 9 mm.	105	
563040	Pin, Hinge	83	
563589	Snapsac	92	
563769	Rivet, Imex	104, 111	
564153	Safety Harness Kits	129	
564154	Safety Harness Kits	129	
564334	Carpet, Dash Centre	111	
564339	Gearbox Cover Carpet, Front, L.H.S.	111	
564344	Gearbox Cover Carpet, Front, R.H.S.	111	
564354	Rear Floor Carpet Assembly, L.H.	112	
564359	Rear Floor Carpet Assembly, R.H.	112	
564364	Transmission Cover Carpet Assembly	112	
564369	Differential Case Cover	112	
564374	Heelboard and Seat Pan Carpet Assembly	112	
564627	Washer, Plain	87	
564684	Backlight, Hood	105	
564685	Quarter Light	105	
564761	Front Seat Frame and Squab Assembly, Vynide Trim (Driver's) (Red)	114	
564762	Front Seat Frame and Squab Assembly, Vynide Trim (Driver's) (Blue)	114	
564763	Front Seat Frame and Squab Assembly, Vynide Trim (Driver's) (Black)	114	
564764	Front Seat Frame and Squab Assembly, Leather Trim (Driver's) (Red)	114	
564765	Front Seat Frame and Squab Assembly, Leather Trim (Driver's) (Blue)	114	
564767	Front Seat Frame and Squab Assembly, Vynide Trim (Passenger's) (Red)	114	
564768	Front Seat Frame and Squab Assembly, Vynide Trim (Passenger's) (Blue)	114	
564769	Front Seat Frame and Squab Assembly, Vynide Trim (Passenger's) (Black)	114	
564770	Front Seat Frame and Squab Assembly, Leather Trim (Passenger's) (Red)	114	
564771	Front Seat Frame and Squab Assembly, Leather Trim (Passenger's) (Blue)	114	

Part No.	Description	Page	Also Used on Models
564773	Front Seat Frame and Squab Assembly, Vynide Trim (Passenger's) (Red)	115, 116	
564774	Front Seat Cushion Assembly, Vynide Trim (Passenger's) (Blue)	115, 116	
564775	Front Seat Cushion Assembly, Vynide Trim (Passenger's) (Black)	115, 116	
564776	Front Seat Cushion Assembly, Leather Trim (Passenger's) (Red)	115, 116	
564777	Front Seat Cushion Assembly, Leather Trim (Passenger's) (Blue)	115, 116	
564778	Front Seat Cushion Assembly, Leather Trim (Passenger's) (Black)	115, 116	
564791	Cover, Front	104	
564807	Panel, Sill Inner Assembly, R.H.	84	
564811	Sill Carpet, L.H.	112	
564812	Sill Carpet, R.H.	112	
564830	Button, Dot	105	
564832	Screw, Set	83, 87	
564842	Rear Wheelarch Cover Assembly, L.H.	113	
564843	Rear Wheelarch Cover Assembly, R.H.	113	
564844	Rear Wheelarch Cover Assembly, L.H.	113	
564845	Rear Wheelarch Cover Assembly, R.H.	113	
564846	Rear Wheelarch Cover Assembly, L.H.	113	
564847	Rear Wheelarch Cover Assembly, R.H.	113	
564882	Cover Assembly, Hoodstick, L.H.	120	
564883	Cover Assembly, Hoodstick, R.H.	120	
564884	Cover Assembly, Hoodstick, L.H.	120	
564885	Cover Assembly, Hoodstick, R.H.	120	
564886	Cover Assembly, Hoodstick, L.H.	120	
564887	Cover Assembly, Hoodstick, R.H.	120	
564965	Carpet Assembly	111	
564970	Carpet Assembly	111	
565313	Eyelet	105	
565631	Cover Assembly	120	
565632	Cover Assembly	120	
565633	Cover Assembly	120	
565639	Cover Assembly	120	
565640	Cover Assembly	120	
565641	Cover Assembly	120	
565746	Dot, Durable	105	
565747	Button, Dot	129	
565748	Socket, Dot	129	

NUMERICAL INDEX

Part No.	Description	Page	Also Used on Models	Part No.	Description	Page	Also Used on Models
565749	Eyelet, Dot	105		566753	Cover Assy., Front Seat Cushion, Vynide Trim (Driver's) (Blue)	116	
565750	Stud, Dot, Clinch Type	105		566754	Cover Assy., Front Seat Cushion, Vynide Trim (Driver's) (Black)	116	
565752	Stud	128		566755	Cover Assy., Front Seat Cushion, Leather Trim (Driver's) (Red)	116	
565755	Valve, Water	99		566756	Cover Assy., Front Seat Cushion, Leather Trim (Driver's) (Blue)	116	
565756	Rivet, Cap	105		566757	Cover Assy., Front Seat Cushion, Leather Trim (Driver's) (Black)	116	
565759	Body, Complete	81		566928	Anti-Mist Panel	129	
565760	Eyelet	112		566970	Carpet, Dash Centre	111	
565761	Front Seat Frame and Squab Assembly, Red, Driver's	114		566992	Socket	104	
565988	Carpet Assembly	111		566993	Frame, Backlight Assembly (Primed)	106	
565989	Carpet Assembly	111		566994	Roof, Complete Assembly (Primed)	106	
566016	Gearbox Cover Carpet, Rear	111		567824	Front Seat Frame and Squab Assembly, Vynide Trim (Driver's) (Red)	115	
566108	Bracket, Support, Facia to Floor Assembly	95		567825	Front Seat Frame and Squab Assembly, Vynide Trim (Driver's) (Blue)	115	
566298	Anti-Mist Panel	129		567826	Front Seat Frame and Squab Assembly, Vynide Trim (Driver's) (Black)	115	
566330	Surrey Conversion Kit (Black)	129		567828	Front Seat Cushion Assy., (Vynide Trim) (Red)	116	
566337	Tonneau Cover Kit Assembly, R.H.S.	128		567829	Front Seat Cushion Assy., (Vynide Trim) (Blue)	116	
566338	Tonneau Cover Kit Assembly, R.H.S.	128		567830	Front Seat Cushion Assy., (Vynide Trim) (Black)	116	
566339	Tonneau Cover Kit Assembly, L.H.S.	128		567831	Cover Assy., Front Seat Cushion, Vynide Trim (Red)	116	
566340	Tonneau Cover Kit Assembly, L.H.S.	128		567832	Cover Assy., Front Seat Cushion, Vynide Trim (Blue)	116	
566352	Rivet	129		567833	Cover Assy., Front Seat Cushion, Vynide Trim (Black)	115	
566374	Spacer, Heater Unit	99		567834	Cover Assy., Front Seat Squab, Vynide Trim (Red)	115	
566375	Washer, Heater Unit	99		567835	Cover Assy., Front Seat Squab, Vynide Trim (Blue)	115	
566407	Bezel, Push/Pull	99		567836	Cover Assy., Front Seat Squab, Vynide Trim (Black)	115	
566456	Touch-in Spray (Velasquez Cream)	129		567840	Front Seat Frame and Squab Assy., Vynide Trim (Passenger's) (Red)	115	
566457	Touch-in Pencil (Velasquez Cream)	129		567841	Front Seat Frame and Squab Assy., Vynide Trim (Passenger's) (Blue)	115	
566458	Surrey Conversion Kit (White)	130		567842	Front Seat Frame and Squab Assy., Vynide Trim (Passenger's) (Black)	115	
566579	Heater Unit Assembly	99					
566583	Heater Kit	99					
566601	Seat Pan Assembly	85					
566746	Front Seat Cushion Assy., Vynide Trim (Driver's) (Red)	116					
566747	Front Seat Cushion Assy., Vynide Trim (Driver's) (Blue)	116					
566748	Front Seat Cushion Assy., Vynide Trim (Driver's) (Black)	116					
566749	Front Seat Cushion Assy., Leather Trim (Driver's) (Red)	116					
566750	Front Seat Cushion Assy., Leather Trim (Driver's) (Blue)	116					
566751	Front Seat Cushion Assy., Leather Trim (Driver's) (Black)	116					
566752	Cover Assy., Front Seat Cushion, Vynide Trim (Driver's) (Red)	116					

NUMERICAL INDEX

Part No.	Description	Page	Also Used on Models	Part No.	Description	Page	Also Used on Models
567847	Front Seat Frame and Squab Assy., Leather Trim (Driver's) (Red)	115		568727	Cover Assy., Seat Squab, Vynide Trim (Red)	117	
567848	Front Seat Frame and Squab Assy., Leather Trim (Driver's) (Blue)	115		568728	Cover Assy., Seat Squab, Vynide Trim (Blue)	117	
567849	Front Seat Frame and Squab Assy., Leather Trim (Driver's) (Black)	115		568729	Cover Assy., Seat Squab, Vynide Trim (Black)	117	
567850	Front Seat Cushion Assy., Leather Trim (Red)	116		568733	Cover Assy., Seat Squab, Leather Trim (Red)	117	
567851	Front Seat Cushion Assy., Leather Trim (Blue)	116		568734	Cover Assy., Seat Squab, Leather Trim (Blue)	117	
567852	Front Seat Cushion Assy., Leather Trim (Black)	116		568735	Cover Assy., Seat Squab, Leather Trim (Black)	117	
567853	Cover Assy., Front Seat Cushion, Leather Trim (Red)	116		568761	Cover Assy., Front Seat Cushion, Vynide Trim (Red)	117, 118	
567854	Cover Assy., Front Seat Cushion, Leather Trim (Blue)	116		568762	Cover Assy., Front Seat Cushion, Vynide Trim (Blue)	117, 118	
567855	Cover Assy., Front Seat Cushion, Leather Trim (Black)	116		568763	Cover Assy., Front Seat Cushion, Vynide Trim (Black)	117, 118	
567856	Cover Assy., Front Seat Squab, Leather Trim (Red)	115		568767	Cover Assy., Front Seat Cushion, Leather Trim (Red)	117, 118	
567857	Cover Assy., Front Seat Squab, Leather Trim (Blue)	115		568768	Cover Assy., Front Seat Cushion, Leather Trim (Blue)	117, 118	
567858	Cover Assy., Front Seat Squab, Leather Trim (Black)	115		568769	Cover Assy., Front Seat Cushion, Leather Trim (Black)	117, 118	
567862	Front Seat Frame and Squab Assembly, Leather Trim (Passenger's) (Red)	115		568784	Safety Harness Kit, Lap Type (Eye Bolt Type)	129	
567863	Front Seat Frame and Squab Assembly, Leather Trim (Passenger's) (Blue)	115		569380	Facia Panel Assembly, White, R.H.S.	94	
567864	Front Seat Frame and Squab Assembly, Leather Trim (Passenger's) (Black)	115		569381	Facia Panel Assembly, White, L.H.S.	94	
567889	Body, Complete	81		569383	Facia Panel Assembly, White, R.H.S.	94	
568496	Safety Harness Kit 3 Point Fixing (Eye Bolt Type)	129		569384	Facia Panel Assembly, White, L.H.S.	94	
568511	Safety Harness Kit 2 Point Fixing (Eye Bolt Type)	129		569482	Lid Cubby Box, White	94	
568515	Rivet, Imex	111		569926	Reinforcement Switch Mounting	96	
568715	Cover Assy., Seat Squab, Vynide Trim (Red)	118		569927	Plate, Switch Mounting	96	
568716	Cover Assy., Seat Squab, Vynide Trim (Blue)	118		570906	Back	105	
568717	Cover Assy., Seat Squab, Vynide Trim (Black)	118		572615	Rear Wheelarch Cover, Black, L.H.	113	
568721	Cover Assy., Seat Squab, Leather Trim (Red)	118		600398	Plug, Rubber	95	
568722	Cover Assy., Seat Squab, Leather Trim (Blue)	118		600399	Plug	100, 121	J, P, R, T, Y
568723	Cover Assy., Seat Squab, Leather Trim (Black)	118		600400	Plug	47	A, B, P, R
				600635	Escutcheon, Handle	103	A
				600832	Pin	90, 91	P
				600949	Washer	103	B
				601410	Clip	122	
				601656	Lever	95	P
				601663	Buffer	86	A, P
				601678	Knob	95	B, P
				601898	Angle, Retaining Battery	79	O, R, T, Y
				601994	Mounting Pad	81	A, B
				601995/1	Strip	81	R
				601995/2	Strip	81	R

NUMERICAL INDEX

Part No.	Description	Page	Also Used on Models
602024	Pivot, L.H.	104	R
602025	Pivot, R.H.	104	R
602028	Stud	104	R
602029	Screw	104	R
602030	Plate, Securing	104	
602037	Grommet	74, 75, 99	A, C, J, P, R, T, Y
602117B	Rivet	104	R
602211	Retainer	102	
602569	Hose	99	P
602575	Hose	99	
602945	Rubber Battery Shelf	79	R
603212	Washer	102	A, P
603213	Washer	102	A, P
603382	Spring	90, 91	A, P
603384	Cover, Lifting Jack Aperture	121	R
603393	Washer	90	T, Y
603394	Washer	90	T, Y
603462	Bonnet Release Cable, Inner Assembly	87	
603463	Bonnet Release Cable, Outer Assembly	87	
604132	Tube	101	C
604146	Tubing, Delivery	101	A, C
604156	Clip, Spring	88	
604917	Trunk Lid Hinge	102	A, P
604918	Trunk Lid Hinge	102	A, P
605602	Plug	121	R
605953	Sleeve, Terminal	72	A, E, F, K, M, O, P, V, Y, Z
606389	Clip, Edge	83	O
606630	Bearing Assembly	97	A, R
607085	Packing Piece	108	P
607867	Stud	91	A
607902	Washer, Leather	91	A
608136	Channel	97	A
608185	Support Bracket	97	A
608188	Strip	98	A
608222	Strip	97	A
608223	Strip	97	A
608301	Washer, Tension	91	
608307	Clip, Locating	106	A
608319	Container	101	C
608356	Slip Ring	97	
608454	Handle, Remote Control	90	A
608462	Slip Ring and Insulator	97	A
608511	Clip, Door	92	
608522	Clip, Curtain to Door	84	A
608586	Washer, Cup	92	A
608604	Clip	91	A
608703	Clip	89	
608817	Clip, Trim, Cushion Cover to Frame	117, 118	
608836	Pad, Mounting, Front	81	
609173	Plunger	101	A
609174	'T' Piece	101	C
609384	Bracket, Dip Switch	79	R
609463	Pull, Finger, Cubby Box	94	
609526	Spacer	101	C
609613	Bracket	101	

Part No.	Description	Page	Also Used on Models
609639	Spring, Steering Column Clamp	98	A
609649	Washer, Sealing	91	A
609742	Clip, Inner Strip Attachment	91	A
609745	Link, Check, Cubby Box Lid	96	
609748	Lock, c/w Keys	94	
609792	Bezel	122	C
609793	Bezel	77	C
609795	Bezel	63, 77, 126	
609909	Washer, Lens, Seating	128	
609919	Bezel	101	C
609933	Bezel	78, 99	
609946	Knob	101	C
610080	Stud, Fixing	106	
610174	Door Glass Stop Bracket (Lower Assembly)	91	A
610181	Demister Outlet	100	
610259	Hinge Assembly, L.H.	94	
610260	Hinge Assembly, R.H.	94	
610302	Instrument Panel	96	
610414	Valve, Air Control, L.H.	94	
610415	Valve, Air Control, R.H.	94	
610416	Spindle, Air Control Valve	94	
610418	Knob, Control	94	
610513	Pin, Pivot	94	
610520	Clip, Rear Squab Board Finisher to Frame	117, 118	
610592	Support, Channel	95	
610608	Seal, Rubber	97	
610624	Stud, Dot 104, 112, 113, 128, 129		
610633	Rubber, Sealing	106	
610639	Seal	94	
610675	Rubber, Bonnet Sealing	87	
610707	Rivet, Check Strap to 'A' Post	88	
610777	Seal, Duct	94	
610798	Rod, Battery Fixing	79	
610817	Plate, Switch	96	
610818	Reinforcement	96	
610942	Plate, Cover	45	
610948	Bracket, L.H.	108	
610949	Bracket, R.H.	108	
611011	Label, Instruction Trafficator	97	
611012	Label, Instruction Trafficator	97	
611040	Pad, Sealing	99, 100	
611041	Plate, Blanking	100	
611043	Pipe Connector	99	
611096	Budget Lock	103	
611102	Interior Mirror	93	
611103	Mounting, Visor	93	
611104	Mounting, Visor	93	
611111	Bolt	109	
611112	Bracket, Outer	109	
611117	Rod, Vent	83	
611118	Rubber, Sealing	83	
611134	Stud	109	
611135	Plate, Catch Assembly	103	
611145	Spring, Vent Lid	83	

NUMERICAL INDEX

Part No.	Description	Page	Also Used on Models
611284	Control, Push/Pull	99	
611363	Finisher, Facia Crash Pad	95	
611366	Escutcheon, Trafficator	97	A
611369	Cover, Harness Assembly, Steering Column	97	A
611406	Grommet	73, 80	
611437	Cover, Joint Finisher	93, 106	A
611455	Plate, Clamp	108	
611529	Clamp	98	
611530	Clamp	98	
611531	Tie Rod	97	
611532	Tie Rod	98	
611565	Hinge Assembly, Cubby Box Lid	96	
611570	Gusset	84	
611571	Reinforcement, L.H.	84	
611572	Reinforcement, R.H.	84	
611581	Rod, Listing, Front	106	
611582	Rod, Listing, Centre	106	
611583	Rod, Listing, Rear	106	
611584	Lock, Cubby Box	96	
611587	Draught Excluder (Red)	92	
611588	Draught Excluder (Blue)	92	
611589	Draught Excluder (Black)	92	
611597	Draught Excluder (Red)	92	
611598	Draught Excluder (Blue)	92	
611599	Draught Excluder (Black)	92	
611607	Finisher (Red)	106	
611608	Finisher (Blue)	106	
611609	Finisher (Black)	106	
611618	Steering Column Shroud Assembly	97	
611622	Pin, Striker	87	
611623	Cup, Retaining	87	
611624	Spring	87	
611625	Bonnet Fastener Assembly	87	
611626	Lever, Catch Assembly	87	
611630	Link, Main, L.H.	104	
611631	Link, Main, R.H.	104	
611635	Bonnet Safety Catch Assembly	87	
611636	Bolt	107	
611637	Bolt	107	
611638	Bolt	93	
611639	Bolt	107	
611642	Bracket	109	
611643	Bracket	109	
611656	Rubber, Sealing	106	
611662	Clip	107	
611666	Stud	110	
611668	Plate, Cover	106	
611669	Cover, Screen	93	
611670	Stud	110, 112	
611680	Cap, Screw (Red)	92	
611681	Cap, Screw (Blue)	92	
611682	Cap, Screw (Black)	92	
611693	Rivet, Special	104	
611707	Bracket Assembly, Centre	128	
611709	Bracket Assembly, Outer	128	
611725	Hose, Water Inlet	99	

Part No.	Description	Page	Also Used on Models
611726	Hose, Water Outlet	99	
611732	Pad, Mounting	81	
611733	Seal, Drain Plug	55	
611734	Webbing	104	
611748	Bracket, Striker, Cubby Box Lock	96	
611760	Tool Strap	103	
611763	Plate, Retaining	103	
611768	Clip, Bonnet Release Cable	87	
611793	Clip, Cable	58, 80	
611794	Pad, 'B' Post Reinforcement	112	
611795	Pad, 'B' Post Reinforcement	112	
611796	Pad, 'B' Post Reinforcement	112	
611812	Curtain	90	
611818	Curtain	91	
611819	Curtain	91	
611825	Hose, Demister, R.H.	99	
611826	Hose, Demister, L.H.	99	
611834	Rod, Tie	97	
611835	Escutcheon	97	
611842	Buffer, Rubber	86	
611895	Bracket	93	
611936	Finisher Assembly, L.H.	106	
611937	Finisher Assembly, R.H.	106	
611947	Washer	106	
611948	Washer	106	
611964	Bracket, Tie, Front Listing Rail	106	
611970	Tube, Support, L.H.	108	
611971	Tube, Support, R.H.	108	
Not serviced	Felt	55	
	Felt	55	
611982	Escutcheon, O/D Switch	97, 122	
612067	Buffer, Rubber	2	
612072	Steering Column Shroud Assembly	97	
612082	Plug, Starting Handle Guide	126	
612092	Bush, End	129, 130	
612125	Cover Plate	100	
612184	Trunk Lid Handle	103	
612189	Plinth	73	
612203	Strip, Insulating, Ignition Switch	96	
612205	Thumbscrew	129, 130	
612211	Clip, Capping Attachment	107	
612219	Trunnion	83, 87	
612233	Instrument Panel	96	
612237	Bracket, Facia Board, Lower Assembly	95	
612241	Washer, Rubber	99	
612244	Pin, Check Strap	88	
612246	Bracket	95	
612261	Clip, Diaphragm to Frame	117, 118	
612262	Control, Push/Pull Assy., Outlet Duct	99	
612273	Spring, Cushion Tension	117, 118	
612276	Medallion, TR4	103	
612286	Washer, Plate	85	

NUMERICAL INDEX

Part No.	Description	Page	Also Used on Models	Part No.	Description	Page	Also Used on Models
612390	Plate, Deflector	100		613769	Clip, Rear Squab Board to Frame	117, 118	
612417	Washer, Rubber, Roof to Windscreen	107		613770	Clip, Rear Squab Board to Frame	117, 118	
612430	Retainer	96		613776	Clip, Diaphragm to Frame	117, 118	
612431	Ash Tray Assy., Front	96		613860	Webbing Reinforcement, Seat Squab, Bottom	117	
612453	Bracket, Canopy	106		613863	Buffer, Cubby Box Lid	96	
612461	Retainer, Door Glass Sealing Rubber	106		613869	Clip, Rear Squab Board Finisher to Frame	117, 118	
612473	Trunk Lid Stay Sliding Unit	102		613913	Door Checkstrap Assy., L.H.	88	
612474	Bolt	102		613914	Door Checkstrap Assy., R.H.	88	
612475	Screw, Shouldered	102		613954	Moulding, Finisher	93	F, K
612488	Bracket, Facia Board, Lower Assembly	95		613958	Finisher, Backlight	106	
612489	Button, Bracket, Facia Board, Lower	95		614090	Interior Mirror Assembly	93	F
612490	Clip, Retaining, Facia Board, Lower	95		614145	Remote Control Assembly, R.H.	89	
612531	Bolt, Eye, Safety Harness Fixing	120, 129		614146	Remote Control Assembly, L.H.	89	A, E
612532	Washer, Tunnel Reinforcement	120		615968	Bracket, Stiffener Assembly, L.H.	129	
612601	'T' Piece	101		615969	Bracket, Stiffener Assembly, R.H.	129	
612709	Disc, Blanking	71		615984	Washer	129	
612715	Grommet, Gearbox Cover, Overdrive Unit Cable	122		616122	Rivet	88	Z
612875	Piece, Distance	109		616256	Bracket, Check Link Retainer	96	
612892	Clip, Tubular, Securing Letters to Bonnet	68, 103		616306	Setscrew	95	
612930	Bracket, Retainer	71		616416	Gasket, Lamp Seating	72	F, K
612976	Plug, Rubber, Screen Capping	110		616932	Pin, Bonnet Location	86	
612988	Bracket, Cubby Box Lid Buffer	96		650016	Disc, Clamping	103	
613017	Handle, Window Regulator	91	A, E, K, O	650017	Bolt, Hook	103	
613018	Clip, Grille to Facia	94		650019	Nut, Wing	103	
613023	Nut, Spire	73		650112	Hinge, Door, Assembly	88	
613297	Webbing Reinforcement, Seat Squab, Top	117		650130	Rubber, Sealing	93	
613298	Webbing Reinforcement, Seat Squab, Upper Centre	117		650159	Plate, Cover	83	
613299	Webbing Reinforcement, Seat Squab, Lower Centre	117		650165	Bracket, L.H.	84	
613303	Spring, Seat Retaining	119		650166	Bracket, R.H.	84	
613307	Webbing Reinforcement, Seat Squab, Top	118		650172	Seal, Rubber	83	
613308	Webbing Reinforcement, Seat Squab, Upper Centre	118		650179	Link, Main Pivot, L.H.	104	
613309	Webbing Reinforcing Seat Squab, Lower Centre and Bottom	118		650180	Link, Main Pivot, R.H.	104	
613506	Petrol Filler Cap Assembly	55		650181	Link, 'B' Post, L.H.	104	
613508	Tube, Distance, Assembly	107		650182	Link, 'B' Post, R.H.	104	
613580	Retainer, Ash Tray	96		650190	Rivet	104	
613622	Door Checkstrap Assembly	88		650191	Rivet	104	
613623	Seal, Door Check Arm	88		650192	Rivet, Semi-tub	104	
613745	Washer, Csk. Head	119		650201	Bootee, Sealing	88	
613746	Buffer, Rubber	119		650216	Pin, Checkstrap	88	
613767	Hook, Side Valance	105		650219	Bracket	85	
613768	Diaphragm Assembly, Seat Cushion	117		650224	Pivot, Trunk Lid Stay	102	
				650236	Pivot	91	
				650242	Glass Stop Bracket Assembly	91	
				650247	Grommet	55	
				650251	Link Assembly	88	
				650260	Handle, Window Regulator	91	
				650261	Escutcheon	91	
				650266	Petrol Filler Cap and Neck Assembly	55	

NUMERICAL INDEX

Part No.	Description	Page	Also Used on Models	Part No.	Description	Page	Also Used on Models
650271	Bracket	85		705917	Door Glass and Regulator Channel Assembly, R.H.	90	
650272	Bracket	85		705920	Overider Assembly	108	
650279	Connection, Rubber	55		705950	Medallion Assembly	86	
650306	Door Pull Handle	92		705960	Seat Slide, Plain	119	
650307	Screw, Acme	64		705961	Seat Slide	119	
650308	Tube, Drain	83		705962	Seat Slide	119	
650310	Rubber Sealing	92		705963	Hood Trimmed Assembly (Black)	105	
650311	Rubber Sealing	92		705964	Hood Trimmed Assembly (White)	105	
650312	Rubber Sealing	106		705989	Cover Assembly	128	
650313	Packing	93		705990	Cover Assembly	128	
650323	Piping, P.V.C.	113, 120		705991	Cover Assembly	128	
650325	Buffer	86		705992	Cover Assembly	128	
701353	Striker	89	T, Y	706027	Pad, Base	120	
701354	Striker	89	T, Y	706035	Spring, Support	108	
701560	Front Door Handle, Outside	90	T, Y	706041	Occasional Rear Seat	120	
701561	Front Door Handle, Outside	90	T, Y	706042	Occasional Rear Seat	120	
703741	Door Restraint Device Assembly	90		706043	Occasional Rear Seat	120	
703862	Letter 'T'	86, 103	A, R	706049	Occasional Rear Seat	120	
703863	Letter 'R'	86, 103	A, R	706050	Occasional Rear Seat	120	
703864	Letter 'I'	86, 103	A, R	706051	Occasional Rear Seat	120	
703865	Letter 'U'	86, 103	A, R	706103	Headlining, Trimmed	106	
703866	Letter 'M'	86, 103	A, R	706126	Millboard	111	
703867	Letter 'P'	86, 103	A, R	706140	Beading	110	
703868	Letter 'H'	86, 103	A, R	706163	Bracket, Guide	126	
704873	Knob	78	C	706240	Retainer Assembly	129, 130	
704875	Knob	78	B	706700	Pad, Polyether, Front	116	
704879	Knob	77	C	706701	Pad, Polyether, Rear	116	
704881	Knob	99	A, C	706760	Roll, Edge Squab, L.H.	118	
704883	Knob	99		706761	Roll, Edge Squab, R.H.	117	
704884	Knob	99	A	706762	Roll, Edge Squab, L.H.	117	
704885	Knob	77		706763	Roll, Edge Squab, R.H.	118	
704887	Knob	126		706882	Plinth, Switch Mounting	96	
705001	Grille, Facia Board Vent, L.H.	94		706906	Lid, Cubby Box	96	
705002	Grille, Facia Board Vent, R.H.	94		707053	Pad, Seat Cushion	117, 118	
705087	Lid, Cubby Box	94		707059	Reinforcement Assembly, L.H.	88	
705206	Plinth, Switch Mounting	96		707060	Reinforcement Assembly, R.H.	88	
705216	Duct Assembly	94		750022	Bracket	85	
705217	Duct Assembly	94		750027	Bracket	85	
705242	Vent Lid Assembly	83		750047	Filler, Sill End, Rear, L.H.	84	
705402	Grommet, Handbrake	45		750048	Filler, Sill End, Rear, R.H.	84	
705421	Moulding, Fastener Centre	110		750074	Reinforcement Hinge Assembly, L.H.	88	
705423	Front Floor Mat, L.H.	111		750075	Reinforcement Hinge Assembly, R.H.	88	
705424	Front Floor Mat, R.H.	111		750086	Filler, Sill End, Front, L.H.	84	
705589	Bracket, Inner	109		750087	Filler, Sill End, Front, R.H.	84	
705633	Outrigger, L.H.	109		750090	Channel Assembly, L.H.	90	
705634	Outrigger, R.H.	109		750091	Channel Assembly, R.H.	90	
705718	Catch Plate Assembly	87		750126	Fixing Tabs	110	
705754	Sun Visor Assembly	93		750134	Hoodstick	104	
705758	Seal, Rubber	85		750135	Glass	90	
705851	Plate, Cover	85		750148	Hinge Assembly, L.H.	86	
705905	Overider Assembly, Rear, L.H.	109		750149	Hinge Assembly, R.H.	86	
705906	Overider Assembly, Rear, R.H.	109		750150	Baffle Plate, L.H.	83	
705913	Grommet, Gear Lever	26		750151	Baffle Plate, R.H.	83	
705916	Door Glass and Regulator Channel Assembly, L.H.	90		750154	Trunk Lid Stay	102	

NUMERICAL INDEX

Part No.	Description	Page	Also Used on Models
750157	Support, Windscreen	93	
750158	Bracket	93	
750163	Retainer	84	
750165	Rod, Tie	90	
750166	Rod, Tie	90	
750169	Rotary Lock Assembly	88	
750170	Rotary Lock Assembly	88	
750171	Remote Control Assembly, L.H.	89	
750172	Remote Control Assembly, R.H.	89	
750179	Gusset, 'B' Post, Top	85	
750180	Gusset, 'B' Post, Top	85	
750187	Beading Assembly	110	
750188	Beading Assembly	110	
750205	Rod, Stay	82	
750206	Rod, Stay	82	
750229	Bracket	86	
750231	Rod, Stay	86	
804911	Crash Pad Assembly, L.H. —L.H.S.	95	
804912	Crash Pad Assembly, R.H. —R.H.S.	95	
805118	Bar	108	
805119	Moulding	110	
805120	Moulding	110	
805135	Box, Cubby, Assembly	94	
805673	Seal, Rubber, L.H.	85	
805674	Seal, Rubber, R.H.	85	
805684	Seal, Rubber	85	
805686	Cover Assembly, Gearbox	85	
805757	Pad, Crash Assembly, L.H. —R.H.S.	95	
805758	Pad, Crash Assembly, R.H. —L.H.S.	95	
806135	Casing Board Assembly	113	
806144	Rubber, Sealing	106	
806145	Cantrail	106	
806175	Capping	107	
806177	Moulding, Finisher, L.H.	93	
806178	Moulding, Finisher, R.H.	93	
806189	Capping	110	
806222	Spring Case	115, 116	
806239	Finisher, L.H.	106	
806240	Finisher, R.H.	106	
806248	Rear Squab	120	
806249	Rear Squab	120	
806250	Rear Squab	120	
806307	Pad Assembly	120	
806310	Back Board	120	
806317	Rear Quarter Casing, L.H.	113	
806318	Rear Quarter Casing	113	
806319	Rear Quarter Casing	113	
806320	Rear Quarter Casing	113	
806321	Rear Quarter Casing, L.H.	113	
806322	Rear Quarter Casing, R.H.	113	
806506	Bracket, Support, Facia to Floor Assembly	95	
806603	Canopy Assembly	129	
806696	Canopy, Trim Assembly (Black)	129	

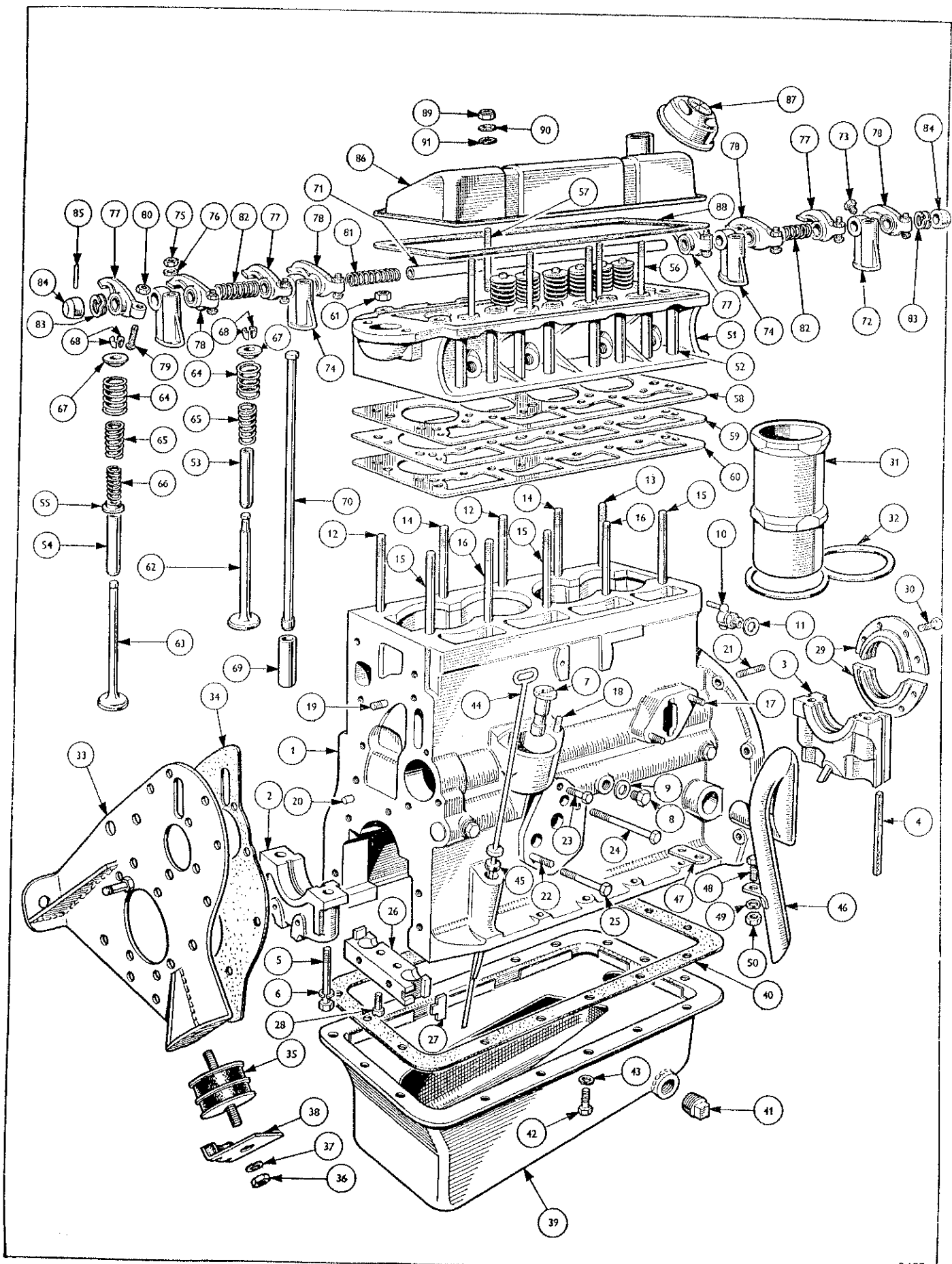
Part No.	Description	Page	Also Used on Models
806697	Canopy, Trim Assembly (White)	130	
806740	Duct, Demister, R.H.	99	
806741	Duct, Demister, L.H.	99	
806820	Rear Deck Assembly	85	
806837	Trunk Floor and Spare Wheel Cover Assembly	113	
806975	Pad, Hairlok, Squab	115	
807090	Pad, Polyether, Squab	118	
807091	Pad, Polyether, Squab	117	
807329	Frame, Front Seat	118	
807360	Frame, Front Seat	117	
807376	Seat Slide Assembly	119	
807383	Board Assembly, Squab, Rear (Red)	118	
807384	Board Assembly, Squab, Rear (Blue)	118	
807385	Board Assembly, Squab, Rear (Black)	118	
807386	Board Assembly, Squab, Rear (Red)	117	
807387	Board Assembly, Squab, Rear (Blue)	117	
807388	Board Assembly, Squab, Rear (Black)	117	
807421	'A' Post Outer Assembly, L.H.	84	
807422	'A' Post Outer Assembly, R.H.	84	
808823	Closing Panel Assembly, L.H.	82	
808824	Closing Panel Assembly, R.H.	82	
850007	Tonneau Side, Upper, L.H.	85	
850008	Tonneau Side, Upper, R.H.	85	
850120	Panel, Closing, Rear, L.H.	84	
850121	Panel, Closing, Rear, R.H.	84	
850122	Panel, Sill, Inner Assy., L.H.	84	
850269	'A' Post Outer Assembly, L.H.	84	
850270	'A' Post Outer Assembly, R.H.	84	
850275	'B' Post Assembly, L.H.	84	
850276	'B' Post Assembly, R.H.	84	
850281	Panel	84	
850282	Panel	84	
850322	Weatherstrip, L.H.	91	
850323	Weatherstrip, R.H.	91	
850324	Rubber Sealing, L.H.	91	
850325	Rubber Sealing, R.H.	91	
850343	'A' Post Inner Assembly, L.H.	84	
850344	'A' Post Inner Assembly, R.H.	84	
850346	Rear Deck Assembly	85	
850350	Bulkhead Assembly, L.H.S.	83	
850351	Bulkhead Assembly, R.H.S.	83	
850352	Scuttle Panel Assembly	83	
850379	Rear Valance Assembly	85	
850387	Pan, Spare Wheel	85	

NUMERICAL INDEX

Part No.	Description	Page	Also Used on Models	Part No.	Description	Page	Also Used on Models
850388	Trunk Floor & Sparewheel Cover Assembly	113		850490	Front Door Trim Pad Assembly	92	
850397	Heelboard	85		850491	Front Door Trim Pad Assembly	92	
850398	Bulkhead End Panel Assembly, L.H.	83		850565	Rear Squab, Trimmed	120	
850399	Bulkhead End Panel Assembly, R.H.	83		850566	Rear Squab, Trimmed	120	
850400	Window Regulator Assembly, L.H.	91		850567	Rear Squab, Trimmed	120	
850401	Window Regulator Assembly, R.H.	91		850577	Rear Quarter Casing, L.H.	112	
850404	Hoodstick Assembly	104		850578	Rear Quarter Casing, R.H.	112	
850405	Hoodstick Assembly	104		850579	Rear Quarter Casing, L.H.	112	
850406	Front Valance Panel	82		850580	Rear Quarter Casing, R.H.	112	
850425	Wheelarch Assembly, Rear, L.H.	84		850581	Rear Quarter Casing, L.H.	112	
850426	Wheelarch Assembly, Rear, R.H.	84		850582	Rear Quarter Casing, R.H.	112	
850428	Housing, Rear Lamp, L.H.	84		850618	Upper Valance Assembly, Front	82	
850429	Housing, Rear Lamp, R.H.	84		902309	Pad, Crash, Scuttle Top	96	
850430	Glass Channel Assembly, L.H.	90		902314	Facia Panel Assembly, L.H.S.	94	
850431	Glass Channel Assembly, R.H.	90		902315	Facia Panel Assembly, R.H.S.	94	
850432	Glass Channel Assembly, Rear, L.H.	90		902343	Glass, Backlight	106	
850433	Glass Channel Assembly, Rear, R.H.	90		902349	Rubber, Glazing	106	
850434	Tunnel	85		902367	Glass	93	
850435	Radiator Duct	82		902369	Rubber, Glazing	93	
850442	Trunk Lid Assembly	102		902649	Cover	85, 122	
850444	Closing Panel Assembly, Front Wheelarch, L.H.	82		902685	Rear Bumper	109	
850445	Closing Panel Assembly, Front Wheelarch, R.H.	82		902687	Radiator Grille Assembly	86	
850450	Hood Stick	104		903178	Bonnet Assembly	86	
850451	Plenum Assembly	83		903198	Facia Panel Assembly, L.H.S.	94	
850452	Wheelarch Assembly, Front, L.H.	82		903199	Facia Panel Assembly, R.H.S.	94	
850453	Wheelarch Assembly, Front, R.H.	82		903233	Trunk Lid Tube Reinforcement	102	
850457	Panel Assembly, L.H.	82		903310	Case, Spring Cushion	116	
850458	Panel Assembly, R.H.	82		903400	Front Seat Assy., Complete with Cushion, Vynide Trim (Red), L.H.	118	
850470	Floor Panel, Rear, L.H.	85		903401	Front Seat Assy., Complete with Cushion, Vynide Trim (Blue), L.H.	118	
850471	Floor Panel, Rear, R.H.	85		903402	Front Seat Assy., Complete with Cushion, Vynide Trim (Black), L.H.	118	
850475	Rear Wing Assembly, L.H.	84		903406	Front Seat Assy., Complete with Cushion, Leather Trim (Red), L.H.	118	
850476	Rear Wing Assembly, R.H.	84		903407	Front Seat Assy., Complete with Cushion, Leather Trim (Blue), L.H.	118	
850479	Beading Assembly, L.H.	110		903408	Front Seat Assy., Complete with Cushion, Leather Trim (Black), L.H.	118	
850480	Beading	110		903424	Front Seat Assy., Complete with Cushion, Vynide Trim (Red), R.H.	117	
850484	Front Door Trim Pad Assembly	92		903425	Front Seat Assy., Complete with Cushion, Vynide Trim (Blue), R.H.	117	
850485	Front Door Trim Pad Assembly	92		903426	Front Seat Assy., Complete with Cushion, Vynide Trim (Black), R.H.	117	
850486	Front Door Trim Pad Assembly	92					
850487	Front Door Trim Pad Assembly	92					
850488	Front Door Trim Pad Assembly	92					
850489	Front Door Trim Pad Assembly	92					

NUMERICAL INDEX

Part No.	Description	Page	Also Used on Models	Part No.	Description	Page	Also Used on Models
903430	Front Seat Assy., Complete with Cushion, Leather Trim (Red), R.H.	117		950121	Bonnet Assembly	86	
903431	Front Seat Assy., Complete with Cushion, Leather Trim (Blue), R.H.	117		950123	Door Assembly, L.H.	88	
903432	Front Seat Assy., Complete with Cushion, Leather Trim (Black), R.H.	117		950124	Door Assembly, R.H.	88	
903466	Windscreen Glass, L.H.S.	93	F, K	CD.23720	Grommet	53, 56	
903467	Windscreen Glass, R.H.S.	92	F, K	CD.23802	Pronged Ring	111, 112	
903508	Veneered Facia Panel Assembly, L.H.S.	96		CD.23803	Socket	111, 112	
903512	Facia Panel Assembly, R.H.S.	94		CD.24153	Washer, Cup	96	
903513	Facia Panel Assembly, L.H.S.	94		CD.25340	Plug, Rubber, Blanking Radio Bracket Hole	95	
903549	Door Assembly, L.H.	88		CD.25672	Rubber Plug	110, 121	
903550	Door Assembly, R.H.	88		CD.26326	Mounting Pad	81	
903979	Roof, Complete Assembly	106		CD.26900	Grommet	16, 53	
904130	Bonnet Assembly	86		CD.27769	Plug	120	
950083	Reinforcement Assembly, Trunk Lid Tube	102		CD.31433	Touch-in-Paint Pencil (Black)	129	
950096	Floor Panel, Main, L.H.	85		CD.31445	Touch-in-Paint Pencil (Signal Red)	129	
950097	Floor Panel, Main, R.H.	85		CD.31446	Touch-in-Paint Pencil (British Racing Green)	129	
950109	Front Wing Assembly, L.H.	82		CD.31642	Touch-in-Paint Pencil (Powder Blue)	129	
950110	Front Wing Assembly, R.H.	82		CS.4009	Hose Clip	43	
950112	Body Shell (Prime Finish), L.H.S.	81		CS.4012	Hose Clip	99	
950113	Body Shell (Prime Finish), R.H.S.	81		CS.4018	Hose Clip	10	
950119	Frame Assembly	93		CS.4020	Wire	43	
				CS.4024	Hose Clip	99	
				CS.4028	Hose Clip	10	
				CS.4029	Hose Clip	10	
				CS.4032	Hose Clip	57	
				CS.4038	Hose Clip	55	



ENGINE

Part No.	Description	Plate No.	No. per Unit	Remarks
510914 510915	†ENGINE UNIT { 86 mm 83 mm		1 1	
	Note.—The above units are less Water Pump, Distributor, Dynamo, Petrol Pump, Oil Filter, Thermostat, Inlet and Exhaust Manifolds, Carburettors and Sparking Plugs			
510924 505281	DECARBONISING SET { 86 mm 83 mm		1 1	For low octane fuel conditions. Special Orders only
509827	SUPPLEMENTARY ENGINE GASKET SET (To be used in conjunction with Decarbonising Set for complete Engine strip)		1	
502363	CYLINDER BLOCK—83 and 86 mm	A1	1	} Not serviced
	Cap, bearing { Front Centre Rear	A2		
		A3		
58335	Packing, felt, rear bearing cap	A4	2	
57121	Screw, set { Bearing caps	A5	6	
101587	Washer, spring } to block	A6	6	
56405	Bush, oil pump drive shaft	A7	1	
44473	Plug, core, rear of camshaft		1	
56765	Plug, core, oil gallery ends		2	
102785	Screw, set { Oil gallery side	A8	3	
500463	Washer, copper	A9	3	
HU0954	Screw, set		1	
500464	Washer, copper		1	
61478	Tap, water drain	A10	1	
WF0511	Washer, fibre, water drain tap	A11	1	
113570	Stud, cylinder head attachment, front and centre of block—R.H. side	A12	2	
121734	Stud, cylinder head attachment, rear of block—R.H. side	A13	1	
113169	Stud, cylinder head attachment, adjacent to centre of cylinder head—R.H. side	A14	2	
106959	Stud, cylinder head attachment, front, centre and rear of block—L.H. side	A15	3	
106960	Stud, cylinder head attachment, adjacent to centre of cylinder head—L.H. side	A16	2	
V7318	Stud, oil pump attachment		3	
V7322	Stud, petrol pump attachment	A17	2	
V7322	Stud, distributor pedestal attachment	A18	2	
V7318	Stud, front engine plate and timing cover attachment	A19	1	
DP0512	Dowel, locating front engine plate	A20	2	
V7318	Stud, gearbox attachment	A21	3	Alternative to 129383 Alternative to V7318
129383	Stud, gearbox attachment		3	
DP0612	Dowel, locating gearbox on rear face of cylinder block		2	
112170	Stud { Oil filter (pressure) attachment	A22	1	
DN3408	Nut, cap } lower front		1	
112233	Bolt, oil filter (pressure) attachment, upper front	A23	1	
112231	Bolt, oil filter (pressure) attachment, upper rear	A24	1	
112232	Bolt, oil filter (pressure) attachment, lower rear	A25	1	
WL0208	Washer, lock, fitted on bolts		3	

Note:—Items marked thus † are available on our Factory Exchange Unit Scheme

ENGINE

Part No.	Description	Plate No.	No. per Unit	Remarks
55810	FRONT SEALING BLOCK	A26	1	
59381	Pad, sealing, in ends of block	A27	2	
56574	Screw, sealing block attachment	A28	2	
60862	REAR OIL SEAL ASSEMBLY	A29	1	
HU0755	Screw, set	A30	8	} Oil seal to cylinder block
WL0207	Washer, spring		8	
122166	CYLINDER LINER (Graded F, G, H)	A31	4	} 86 mm Engine
112789	Gasket, liner	A32	2	
105539	CYLINDER LINER (Graded F, G, H)	A31	4	} 83 mm Engine
112789	Gasket, liner	A32	2	
304711	FRONT ENGINE PLATE	A33	1	
56389	Washer, joint	A34	1	} Engine plate attachment to cylinder block
HU0856	Screw, set		5	
WL0208	Washer, spring		5	
130985	FRONT ENGINE MOUNTING	A35	2	
HN2009	Nut	A36	4	} Mounting to engine plate and frame
WL0209	Washer, lock	A37	4	
133471	Bracket, engine restrictor		1	
650325	Buffer, assembly, engine restrictor		1	
612067	Buffer, rubber		1	
HN2008	Nut		1	} Buffer assembly to restrictor bracket
WL0208	Washer, spring		1	
REAR ENGINE MOUNTING (For details see Gear Box Section)				
115350	OIL SUMP ASSEMBLY	A39	1	
56646	Washer, joint, between sump and cylinder block	A40	1	
114774	Plug, oil drain	A41	1	
100749	Screw, set	A42	16	} Sump to cylinder block Sump to cylinder block Sump to front sealing block Breather pipe clip and slave cylinder stay to sump and cylinder block Slave cylinder stay to sump and cylinder block
100749			17	
HU0855			1	
105220			2	
105220			1	
WL0208	Washer, lock, on set screws	A43	19	For closed circuit breather only
102139	Dipstick	A44	1	
32307	Washer, felt	A45	1	
502126	ALUMINIUM OIL SUMP KIT		1	For details see Accessories Section

Note:—Items marked thus † are available on our Factory Exchange Unit Scheme

ENGINE

Part No.	Description	Plate No.	No. per Unit	Remarks
205020	BREATHER PIPE ASSEMBLY	A46	1	
120211	Bracket } Breather pipe	A47	1	
WN0083	Washer } to cylinder block		1	
HU0805	Screw, set }	A48	1	
WL0208	Washer, lock } Breather pipe to bracket	A49	1	
HN2008	Nut }	A50	1	
132924	Plug, closing breather pipe aperture		1	Closed circuit breather
510918	COMBUSTION HEAD ASSEMBLY { 86 mm		1	} Fitted up to Engine No. CT21470E only
510919	(Complete with valves and springs) { 83 mm		1	
512457	COMBUSTION HEAD ASSEMBLY { 86 mm		1	} Fitted from Engine No. CT21471E and future
512458	(Complete with valves and springs) { 83 mm		1	
510084	COMBUSTION HEAD ASSEMBLY { 86 mm	A51	1	} Fitted up to Engine No. CT21470E only
510545	(Less valves and springs) { 83 mm		1	
	Note. Valve 136567 and guide 136575 must be fitted in pairs to replace valve 108806 and guide 108239.			
511695	COMBUSTION HEAD ASSEMBLY { 86 mm		1	} Fitted from Engine No. CT21471E and future
511785	(Less valves and springs) { 83 mm		1	
PS1603	Plug, core, top face of combustion head		1	
100792	Tube, sealing	A52	8	
58923	Guide, valve { Inlet	A53	4	
108239	{ Exhaust	A54	4	Fitted up to Engine No. CT21470E only
58923	Guide, valve, exhaust		4	Fitted from Engine No. CT21471E and future
111913	Insert, valve seat { Inlet		as req'd	
102941	{ Exhaust		as req'd	
108242	Collar, exhaust valve guide	A55	4	Fitted up to Commission No. CT21470 only (See Page 4 for future)
27378	Plug, core, rear face of head		1	
114774	Plug (not required when heater is fitted)		1	
HU0953	Screw, set } Fitted in cylinder head		1	
500464	Washer, copper } for rocker oil feed		1	
111717	Stud, rocker pedestal	A56	4	
59011	Stud, rocker cover	A57	2	
58917	Stud, manifold { 1 1/8" long		1	
58688	{ 1 1/8" long		1	
102474	attachment { 2-06" long		4	
107055	{ 2-38" long		2	
DP0512	Dowel, manifold attachment		2	
205481	Gasket { Between combustion head and cylinder block { 86 mm	A58	1	
202127	{ 83 mm	A58	1	
208096	Plate, low compression } 86 mm	A59	1	} For use in countries where high octane fuel is unobtainable to provide a lower compression ratio
202775	Gasket }	A60	1	
200906	Plate, low compression } 83 mm	A59	1	
202775	Gasket }	A60	1	
110962	Nut } Combustion head attachment	A61	10	
WP0029	Washer, plain }		10	

Note:—Items marked thus † are available on our Factory Exchange Unit Scheme

ENGINE

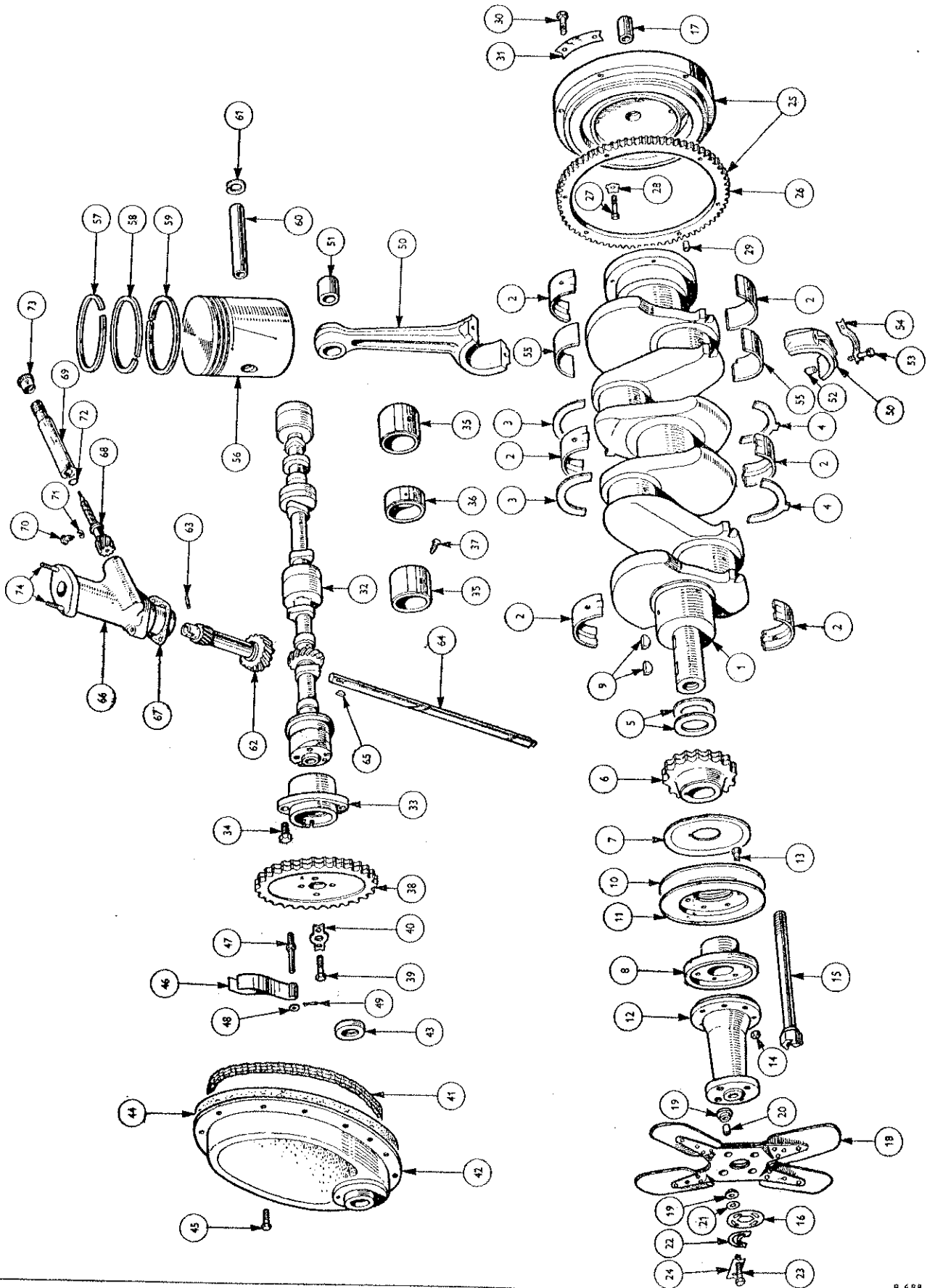
Part No.	Description	Plate No.	No. per Unit	Remarks
COMBUSTION HEAD ASSEMBLY <i>(continued)</i>				
121231	Eye, lifting, assembly front		1	
121752	Bracket, lifting, rear		1	
138073	'Y' Piece and support bracket assembly		1	} Closed circuit breather
137191	Washer, rubber		4	
WP0008	Washer, plain		2	
137192	Spacer		2	
138098	Hose, rocker cover to breather pipe extension		1	
138078	Breather pipe extension		1	
138099	Hose, breather pipe extension to 'Y' piece		1	
137974	Hose, 'Y' piece to air cleaner		2	
VALVES				
107626	Valve { Inlet	A62	4	} Fitted up to Engine No. CT21470E only } Fitted from Engine No. CT21471E and future
108806		Exhaust	A63	
136567	Valve, exhaust		4	
<p>Note. Valve 136567 and guide 136575 must be fitted in pairs to replace valve 108806 and guide 108239.</p>				
107492	Spring, valve { Outer	A64	8	} Fitted up to Engine No. only } Fitted from Engine No. and future. (May be fitted in lieu of earlier parts if supplied in sets of 3)
107493		Inner	A65	
102564	Spring, auxiliary, fitted on exhaust valve	A66	4	
105803	Collar, valve spring	A67	8	
142135	Spring, valve { Outer		8	
142136		Inner		8
142137	Collar, valve spring		8	
106663	Cone, split retaining, collar on valve	A68	8 prs.	
57933	VALVE TAPPET	A69	8	
106968	PUSH ROD ASSEMBLY { High comp.	A70	8	
108616		Low comp.		
<p>Push rod assembly 108616 to be used in conjunction with compression plate number 208096 or 200906 in countries where high octane fuel is unobtainable.</p>				

Note:—Items marked thus † are available on our Factory Exchange Unit Scheme

ENGINE

Part No.	Description	Plate No.	No. per Unit	Remarks
111064	ROCKER SHAFT	A71	1	
112545	Pedestal, rocker, drilled	A72	1	
42880	Screw, locking	A73	1	} Pedestal to shaft.
52337	Washer, shakeproof		1	
112546	Pedestal, rocker, plain	A74	3	
HN2009	Nut	A75	4	} Rocker pedestal to combustion head
WL0209	Washer, lock	A76	4	
WP0184	Washer, plain, rocker pedestal to combustion head		4	Fitted up to Engine No. CT6039E only Fitted from Engine No. CT6040E and future
108012	Rocker assembly	No. 1	A77	4
108014		No. 2	A78	4
44370	Bush, rocker		16	
109495	Screw, adjustment	Fitted in rockers	A79	8
57110	Nut, lock		A80	8
128074	Spring, rocker	Centre	A81	1
128075		Intermediate	A82	2
44630		Outer	A83	2
130481	Spring, rocker, intermediate		4	Fitted up to Engine No. CT11858 only Fitted from Engine No. CT11859 and future
60733	Collar, on ends of shaft	A84	2	
58334	Pin (Mills) securing collar	A85	2	
304677	ROCKER COVER ASSEMBLY	A86	1	} Fitted up to Engine No. CT14233E only
113569	Cap, oil filler and breather assembly	A87	1	
306527	ROCKER COVER ASSEMBLY		1	Closed circuit breather
138176	Cap, oil filler and breather assembly		1	Closed circuit breather
305614	ROCKER COVER ASSEMBLY		1	} Fitted from Engine No. CT14234E and future
113569	Cap, oil filler and breather		1	
129077	Plug, breather pipe adaptor		1	
WF0511	Washer, fibre, breather pipe plug		1	
121219	Washer, joint, cover to combustion head		1	
YN2908	Nut, nyloc	A88	1	
WP0008	Washer, plain	A89	2	
WF0508	Washer, fibre	A90	2	
		A91	2	

Note:—Items marked thus † are available on our Factory Exchange Unit Scheme



8 688

ENGINE

Part No.	Description	Plate No.	No. per Unit	Remarks					
301815	CRANKSHAFT	B1	1						
108810	Bearing, main	B2	3 prs.						
45918	<table style="display: inline-table; vertical-align: middle;"> <tr> <td rowspan="4" style="font-size: 3em; vertical-align: middle;">}</td> <td>Top centre bearing</td> </tr> <tr> <td>Top centre bearing, .005" oversize</td> </tr> <tr> <td>Bottom centre bearing</td> </tr> <tr> <td>Bottom centre bearing, .005" oversize</td> </tr> </table>	}	Top centre bearing	Top centre bearing, .005" oversize	Bottom centre bearing	Bottom centre bearing, .005" oversize	B3	2	
}			Top centre bearing						
			Top centre bearing, .005" oversize						
			Bottom centre bearing						
	Bottom centre bearing, .005" oversize								
112617	Washer,		2						
45919	thrust	B4	2						
112618			2						
56522	<table style="display: inline-table; vertical-align: middle;"> <tr> <td rowspan="2" style="font-size: 3em; vertical-align: middle;">}</td> <td>.004"</td> </tr> <tr> <td>.006"</td> </tr> </table>	}	.004"	.006"	B5	as req'd.			
}			.004"						
	.006"								
56523	Shim, chain wheel location								
55971	Wheel, chain, duplex, on crankshaft	B5	as req'd.						
57196	Deflector, oil	B6	1						
107250	Hub, fan pulley	B7	1						
KW0624	Key, hub, deflector and chain wheel to crankshaft	B8	1						
110023	<table style="display: inline-table; vertical-align: middle;"> <tr> <td rowspan="2" style="font-size: 3em; vertical-align: middle;">}</td> <td>Rear half</td> </tr> <tr> <td>Front half</td> </tr> </table>	}	Rear half	Front half	B9	2			
}			Rear half						
	Front half								
107252	Pulley	B10	1						
128318	Extension, fan hub	B11	1						
109370	Piece, balance	B12	1						
HB0711	<table style="display: inline-table; vertical-align: middle;"> <tr> <td rowspan="4" style="font-size: 3em; vertical-align: middle;">}</td> <td>Pulley and</td> </tr> <tr> <td>extension</td> </tr> <tr> <td>to hub</td> </tr> <tr> <td>Extension and</td> </tr> </table>	}	Pulley and	extension	to hub	Extension and	B13	as req'd.	
}			Pulley and						
			extension						
			to hub						
	Extension and								
TN3207	Bolt		6						
WP0127	Nut, nyloc	B14	6						
128319	Washer, plain		6						
108494	Bolt	B15	1						
108497	Shim		as req'd.						
47246	Washer, lock	B16	1						
	Bush, constant pinion pilot, in rear end of shaft	B17	1						

MAIN BEARINGS are obtainable in the following undersizes: —.010", —.020", —.030"
Please quote the Part Number and undersize required when ordering

209792	FAN ASSEMBLY	B18	1					
108496	Bush, rubber, fitted in attachment holes	B19	8					
108499	Sleeve, in rubber bushes	B20	4					
108495	Washer, plain, over outer rubber bush	B21	4					
107858	Piece, balance	B22	as req'd.					
HB0811	<table style="display: inline-table; vertical-align: middle;"> <tr> <td rowspan="3" style="font-size: 3em; vertical-align: middle;">}</td> <td>Securing</td> </tr> <tr> <td>balance piece</td> </tr> <tr> <td>and fan</td> </tr> </table>	}	Securing	balance piece	and fan	B23	4	
}			Securing					
			balance piece					
	and fan							
WP0034	Bolt		4					
107857	Washer, plain	B24	4					
	Washer, tab		4					
115785	FLYWHEEL ASSEMBLY	B25	1					
202834	Gear, ring	B26	1					
112030	<table style="display: inline-table; vertical-align: middle;"> <tr> <td rowspan="2" style="font-size: 3em; vertical-align: middle;">}</td> <td>Ring gear</td> </tr> <tr> <td>to flywheel</td> </tr> </table>	}	Ring gear	to flywheel	B27	6		
}			Ring gear					
	to flywheel							
115776	Washer, tab	B28	6					
127883	Dowel	B29	1					
102065	<table style="display: inline-table; vertical-align: middle;"> <tr> <td rowspan="2" style="font-size: 3em; vertical-align: middle;">}</td> <td>Flywheel</td> </tr> <tr> <td>assembly to</td> </tr> </table>	}	Flywheel	assembly to	B30	4	} Fitted up to Engine No. CT34071	
}			Flywheel					
	assembly to							
56524	Screw, set	B31	2					
138527	Plate, locking		4	} Fitted from Engine No. CT34072 and future				
	Bolt, flywheel assembly to crankshaft							

Note:—Items marked thus † are available on our Factory Exchange Unit Scheme

ENGINE

Part No.	Description	Plate No.	No. per Unit	Remarks
301466	CAMSHAFT	B32	1	
60214	Bearing, front	B33	1	
56384	Screw, set	B34	2	} Front bearing to cylinder block
WL0208	Washer, lock		2	
113522	Bearing	B35	2	} Centre and rear Intermediate
113523		B36	1	
110462	Screw	B37	3	} Bearing to block
WP0107	Washer, plain		3	
57113	Wheel, chain (Duplex)	B38	1	
56370	Screw, set	B39	2	} Chain wheel
56293	Plate, locking	B40	1	} to camshaft
57151	Chain, timing (Duplex)	B41	1	
56327	TIMING COVER ASSEMBLY	B42	1	
104662	Seal, oil	B43	1	
56328	Washer, joint, cover to engine plate	B44	1	
56763	Support, timing cover		1	
WL0208	Washer, spring		1	} Support bolt to cylinder block and timing cover
33085	Washer, fibre		1	
HN2008	Nut		1	
HU0857	Screw, set, cover to cylinder block	B45	7	
HU0805	Screw, set		2	} Timing cover to front engine plate
HU0811	Screw, set		2	
HN2008	Nut		5	
WL0208	Washer, lock, cover attachment		12	
43404	TIMING CHAIN TENSIONER	B46	1	
58701	Pin, anchoring tensioner	B47	1	
WP0018X	Washer	B48	as req'd	} Tensioner to pin
PC0005	Pin, split	B49	1	
201782	CONNECTING ROD ASSEMBLY (less Bearing)	B50	4	Fitted up to Engine No. CT34071
211044	CONNECTING ROD ASSEMBLY (less Bearings)		4	Fitted from Engine No. CT34072 and future
56251	Bush, small end	B51	4	} Fitted up to Engine No. CT34071 and future
106771	Dowel, hollow, connecting rod bolt	B52	4	
105312	Bolt, connecting rod attachment	B53	8	
105313	Washer, tab, locking bolt	B54	4	
138528	Bolt, connecting rod attachment		8	
117590	Bearing, big end	B55	4 prs.	Fitted from Engine No. CT34072 and future

BIG END BEARINGS are obtainable in the following undersizes: —010", —020", —030"
Please quote the Part Number and undersize required when ordering

Note:—Items marked thus † are available on our Factory Exchange Unit Scheme

ENGINE

Part No.	Description	Plate No.	No. per Unit	Remarks
122208	PISTON ASSEMBLY — 86 mm (Graded F, G, H)	B56	4	
122169	Ring, compression { Plain	B57	4	
122168		B58	4	
122170	Ring, scraper	B59	4	
122171	Pin, gudgeon	B60	4	
45985	Circlip	B61	8	
506691	PISTON ASSEMBLY — 83 mm (Graded F, G, H)	B56	4	
107582	Ring, compression { Plain	B57	4	
113550		B58	4	
113549	Ring, scraper	B59	4	
60254	Pin, gudgeon	B60	4	
45985	Circlip, retaining gudgeon pin in piston	B61	8	

PISTONS are obtainable in the following
oversize: +.020"

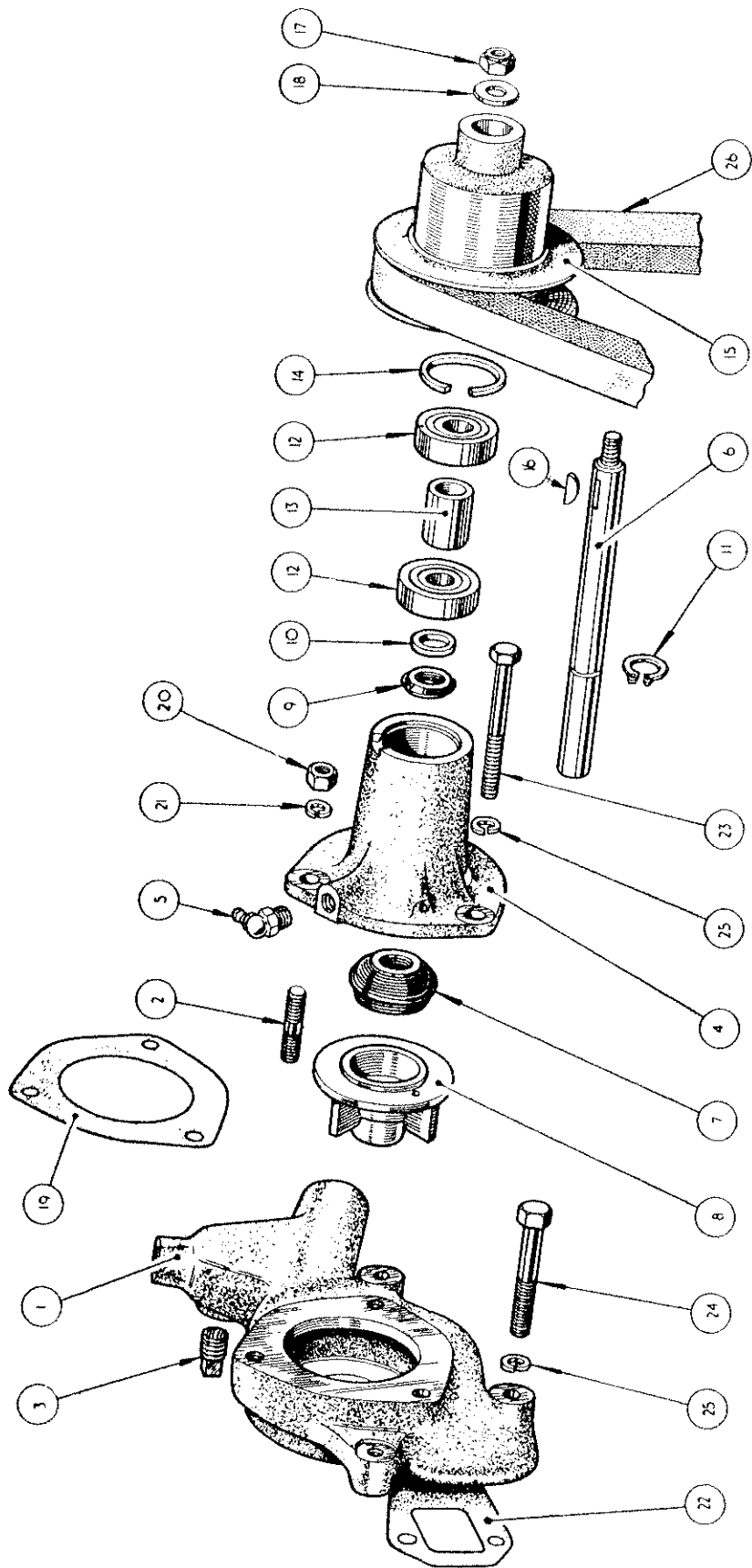
PISTON RINGS are obtainable in the following
oversizes: +.010", +.020", +.030"
Please quote Part Number and oversize required when
ordering.

DISTRIBUTOR, REV. COUNTER AND OIL PUMP DRIVE

106981	Gear, driving	B62	1	
58334	Pin (Mills), fitted in gear	B63	1	
104966	Shaft, oil pump drive	B64	1	
KW0316	Key, gear to shaft	B65	1	
201623	Pedestal, distributor, and rev. counter housing	B66	1	
56407	Washer, joint, between pedestal and block	B67	as req'd	
125251			as req'd	
106184	Gear, driven, rev. counter	B68	1	
HN2008	Nut { Pedestal		2	
WL0208	Washer, lock { attachment		2	
132472	Bearing assembly, rev. counter drive, complete with screwed end and oil seal		1	
56305	Screw, locking { Bearing to	B70	1	
WL0208	Washer, locking { dist. pedestal	B71	1	
60247	Seal, oil	B72	1	
60246	Screwed end, rev. counter bearing	B73	1	
105280	Stud { Distributor	B74	2	
HN2007	Nut { to		2	
WL0207	Washer, spring { pedestal		2	
WP0042	Washer, plain {		2	

For Distributor details, see Electrical Section

Note:—Items marked thus † are available on our Factory Exchange Unit Scheme



ENGINE

Part No.	Description	Plate No.	No. per Unit	Remarks
501488	† WATER PUMP ASSEMBLY		1	
57014	Body, water pump	C1	1	
56243	Stud } Fitted in	C2	2	
114774	Plug } pump body	C3	1	
106969	†Housing, bearing assembly		1	
200287	Housing, bearing	C4	1	
125361	Nipple, grease, in bearing housing	C5	1	
105504	Spindle	C6	1	
100858	Seal, between bearing housing and impellor	C7	1	
105981	Impellor	C8	1	
60313	Seal, bearing	C9	1	
101092	Washer, abutment } Fitted on	C10	1	
500047	Circlip } spindle	C11	1	
100978	Bearing	C12	2	
100760	Piece, distance, between bearings	C13	1	
100763	Circlip, retaining, bearing in housing	C14	1	
105537	Pulley, water pump	C15	1	
KW0420	Key, locating } Pulley to	C16	1	
TN3208	Nut, nyloc } water pump	C17	1	
100766	Washer } spindle	C18	1	Fitted up to Commission No. CT7389 only
WP0181	Washer, plain, pulley to water pump spindle		1	Fitted from Commission No. CT7390 and future
56214	Gasket, bearing housing to pump body	C19	1	
HN2009	Nut } Securing	C20	2	
WL0209	Washer, lock } bearing housing	C21	2	
56237	Gasket	C22	1	
HB0971	Bolt } Pump to	C23	1	
HB0968	Bolt } cylinder	C24	2	
WL0209	Washer, spring } block	C25	3	
58924	Belt, fan	C26	1	

Note:—Items marked thus † are available on our Factory Exchange Unit Scheme

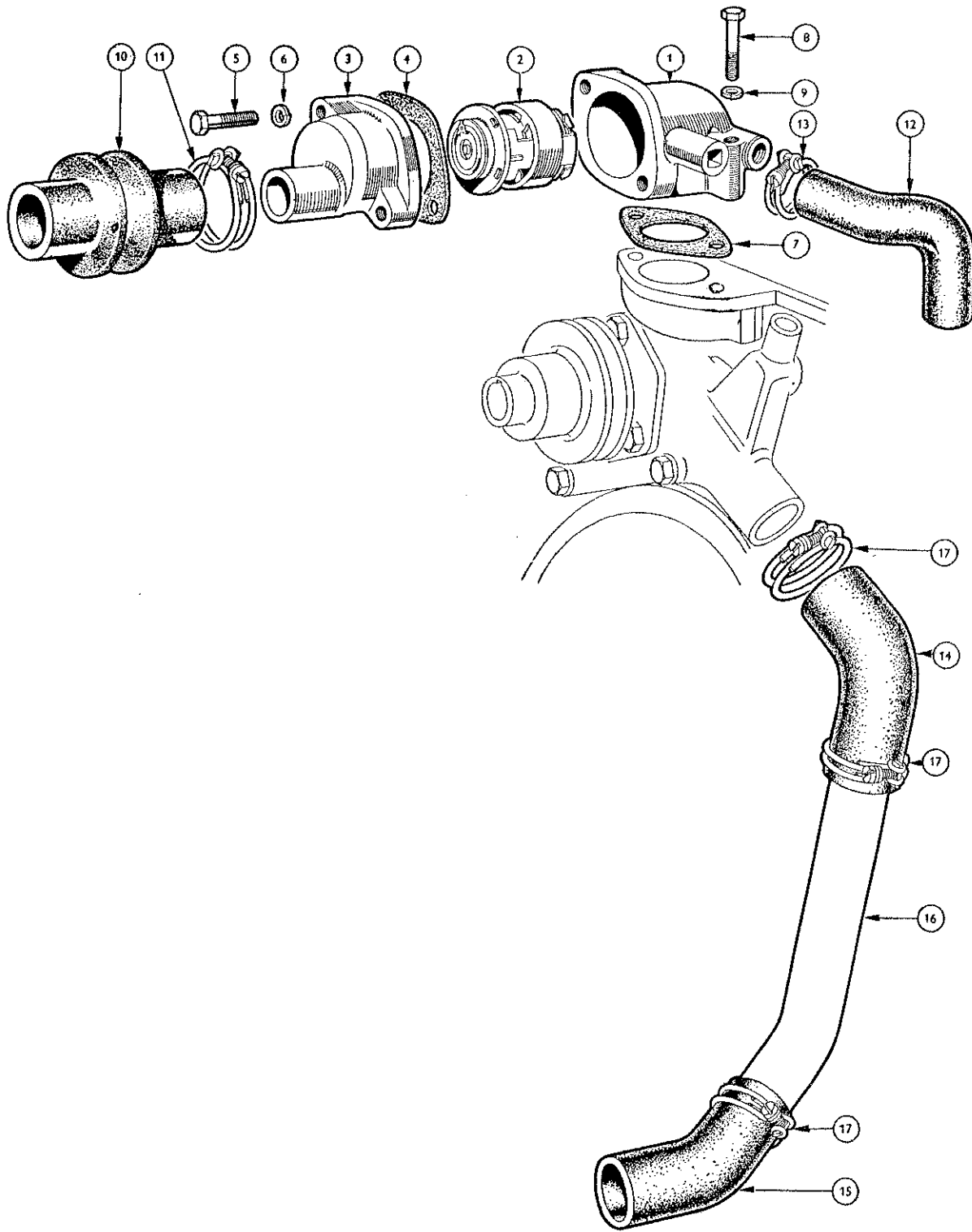
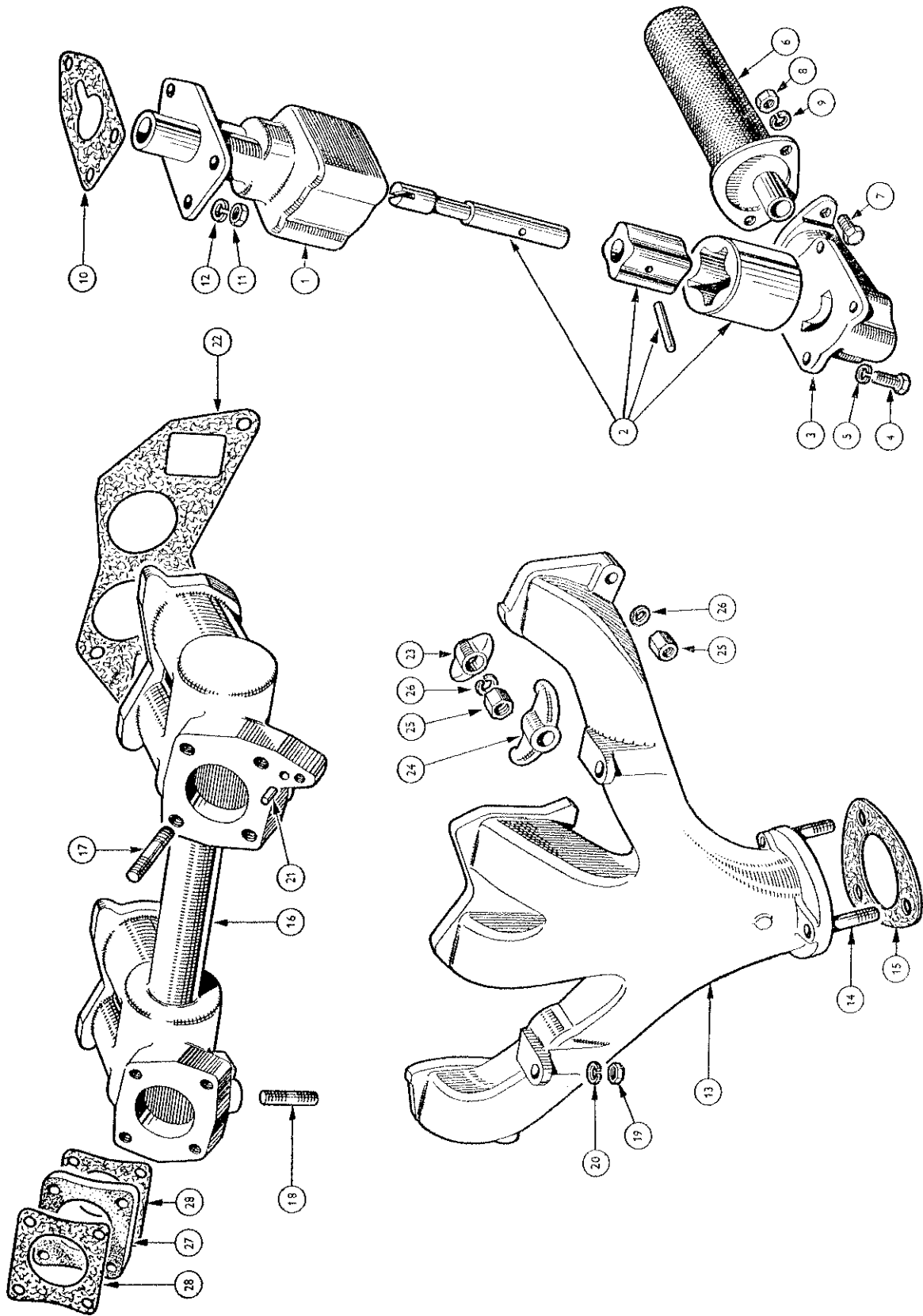


PLATE D

ENGINE

Part No.	Description	Plate No.	No. per Unit	Remarks
WATER THERMOSTAT DETAILS				
203781	Housing, thermostat	D1	1	
124713	Thermostat in housing	D2	1	
124744	Elbow, water	D3	1	
115467	Gasket	D4	1	
HB0811	Bolt	D5	2	
WL0208	Washer, lock	D6	2	
101478	Gasket	D7	1	
HB0866	Bolt	D8	2	
WL0208	Washer, lock	D9	2	
WATER HOSE DETAILS				
129936	Hose, top, radiator to thermostat	D10	1	
CS4028	Clip, hose attachment	D11	2	Alternative to CS4029
CS4029	Clip, hose attachment		2	Alternative to CS4028
105598	Hose, by-pass connection	D12	1	
CS4018	Clip, hose attachment	D13	2	
108422	Hose, bottom, water pump to pipe	D14	1	
130038	Hose, bottom, pipe to radiator	D15	1	
130039	Pipe, connecting bottom water hoses	D16	1	
CS4028	Clip, bottom hose to radiator, pipe and water pump	D17	4	Alternative to CS4029
CS4029	Clip, bottom hose to radiator, pipe and water pump		4	Alternative to CS4028

Note:—Items marked thus † are available on our Factory Exchange Unit Scheme

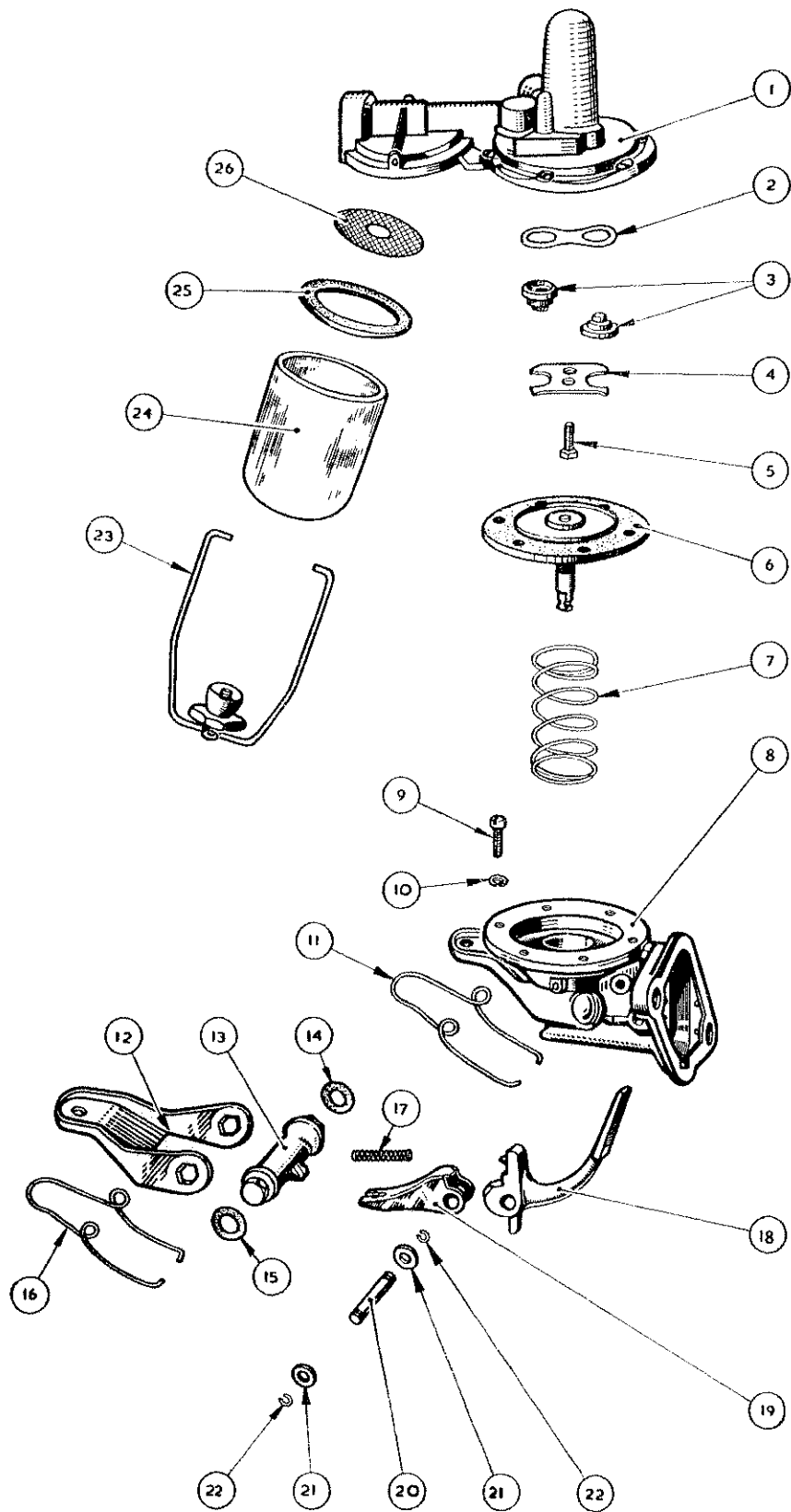


85/91

ENGINE

Part No.	Description	Plate No.	No. per Unit	Remarks
200155	† OIL PUMP ASSEMBLY		1	
200156	Body	E1	1	
504862	Rotor and spindle assembly (comprising Inner Rotor, Spindle, Peg, and Outer Rotor)	E2	1	
200157	Cover	E3	1	
SP.JC	Bolt	E4	4	} Cover to body
WL0207	Washer, lock	E5	4	
100682	Filter assembly	E6	1	
HU0705	Screw	E7	2	} Suction, oil filter to pump assembly
HN2007	Nut	E8	2	
WL0207	Washer, lock	E9	2	
56282	Washer, joint, oil pump to cylinder head	E10	1	
HN2008	Nut	E11	3	} Securing oil pump
WL0208	Washer, lock	E12	3	
MANIFOLDS				
304164	Manifold, exhaust	E13	1	
101442	Stud	E14	3	} Exhaust pipe to manifold
106958	Washer, joint	E15	1	
305547	Manifold, inlet	E16	1	Fitted up to Engine No. CT16800E and from Engine No. CT16901E up to CT21470E only
305744	Manifold, inlet		1	Fitted from Engine No. CT16801E up to CT16900E and from CT21471E and future
118632	Plug, breather pipe hole		1	Fitted from Engine No. CT14234E and future
112907	Stud	E17	8	} Carburettor attachment Inlet exhaust to manifold
112907	Nut	E18	2	
HN2008	Nut	E19	2	} Inlet to exhaust manifold
WL0208	Washer, spring	E20	2	
DP0308	Dowel, throttle control bracket	E21	1	Fitted up to Engine No. CT16800E and from Engine No. CT16901E up to CT21470E only
113122	Gasket	E22	2	} Inlet and exhaust manifolds to cylinder head
58258	Clamp	E23	4	
33148	Clamp	E24	2	
56675	Nut	E25	8	
WL0209	Washer, lock	E26	8	
112866	Washer, insulating, inlet manifold and carburettor	E27	2	
112867	Washer, joint, both sides of insulating washer	E28	4	

Note:—Items marked thus † are available on our Factory Exchange Unit Scheme



B692

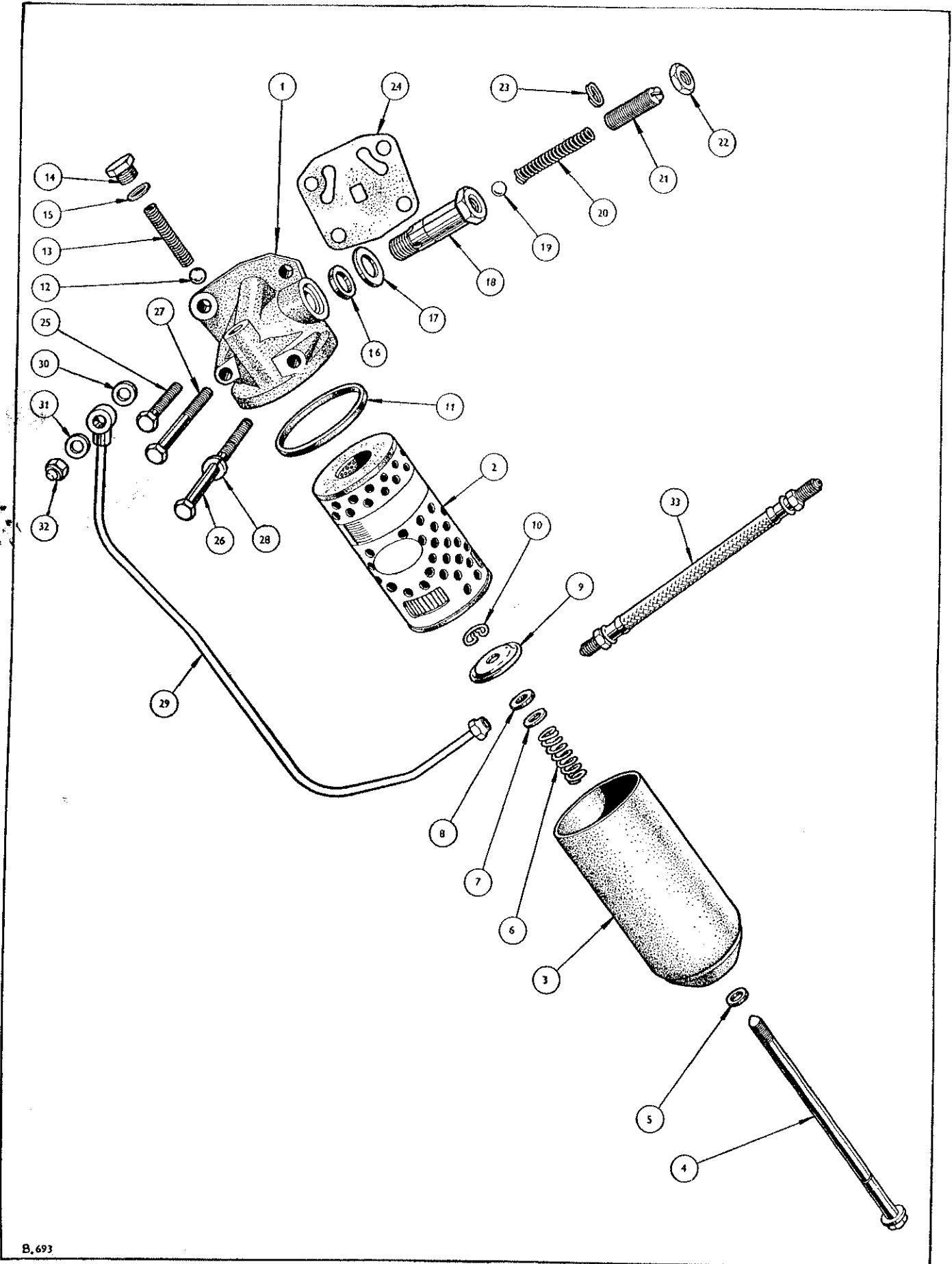
PLATE F

TRIUMPH SPORTS CAR 20 TR4

ENGINE

Part No.	Description	Plate No.	No. per Unit	Remarks
109637	†PETROL PUMP ASSEMBLY		1	
500420	Cover, top	F1	1	
508853	Gasket, valve	F2	1	
505239	Valve and seat assembly	F3	1	
508854	Plate, valve retaining	F4	1	
59660	Screw, securing valve retaining plate	F5	2	
501005	Diaphragm assembly	F6	1	
52492	Spring, diaphragm	F7	1	
502373	Body and primer assembly	F8	1	
508980	Retainer, oil seal		1	
508981	Washer, oil seal		1	
52490	Screw, top cover to body	F9	6	
57361	Washer, on screw	F10	6	
52498	Spring, priming handle	F11	1	
59654	Priming handle set		1	
	(comprising items 12, 13, 14, 15, 16)			
52494	Spring, rocker arm	F17	1	
59655	Arm, rocker	F18	1	
52479	Link	F19	1	
52483	Pin, rocker arm	F20	1	
52486	Washer, rocker pin	F21	2	
52484	Clip, rocker pin	F22	2	
502374	Bail assembly	F23	1	
500417	Bowl, filter	F24	1	
500418	Gasket, between bowl and top cover	F25	1	
500419	Gauze, filter	F26	1	
39888	Washer, joint		1	
HN2008	Nut		2	
WLO208	Washer, lock		2	
	} Petrol pump to cylinder block			
500524	SERVICE KIT — PETROL PUMP		1	

Note:—Items marked thus † are available on our Factory Exchange Unit Scheme



B, 693

PLATE G

TRIUMPH SPORTS CAR 20 TR4

ENGINE

Part No.	Description	Plate No.	No. per Unit	Remarks
203271	OIL FILTER ASSEMBLY (Full Flow) (Automotive)		1	
505300	Head, filter	G1	1	
101963	Element	G2	1	
501077	Sump assembly	G3	1	
505289	Bolt, centre, sump to head	G4	1	
500321	Seal, between bolt head and sump	G5	1	
500319	Spring, fitted on centre bolt	G6	1	
500322	Washer, centre bolt seal	G7	1	
500320	Seal, centre bolt	G8	1	
500439	Guide, element	G9	1	
500318	Circlip, retaining spring, seal, washer, and guide on bolt	G10	1	
500330	Seal, between sump and filter head	G11	1	
BL0027	Ball, relief valve	G12	1	
505287	Spring, relief valve filter	G13	1	
505288	Cover, valve	G14	1	
505290	Gasket, copper	G15	1	
500328	Seal, relief valve	G16	1	
500329	Washer, between relief valve seal and body	G17	1	
59615	Body, relief	G18	1	
BL0027	Ball, relief valve	G19	1	
60414	Spring, between ball and adjusting screw	G20	1	
60416	Screw, adjusting relief valve	G21	1	
38054	Nut, locking screw	G22	1	
30123	Washer, lead, locknut to body	G23	1	
112146	Gasket, filter to block	G24	1	
112233	Bolt, oil filter (Pressure) attachment	Upper front	1	
112231		Upper rear	1	
112232		Lower rear	1	
WL0208	Washer, spring, on bolts	G28	3	
200646	Pipe, oil assembly, engine to flexible pipe	G29	1	
114033	Washer, copper	Between pipe and filter	1	
114034		Between cap nut and pipe	1	
DN3408	Nut, cap, oil pipe and filter to stud	G32	1	
102227	Clip, pipe to petrol pump stud		1	
102238	Pipe, flexible, between engine oil pipe and pressure gauge pipe	G33	1	
100148	Clip, flexible oil pipe		1	
208634	Pipe, between flexible pipe and oil pressure gauge		1	Alternative to 138308
138308	Pipe, assembly, flexible pipe to oil pressure gauge 'Nylon'		1	Alternative to 208634

Note:—Items marked thus † are available on our Factory Exchange Unit Scheme

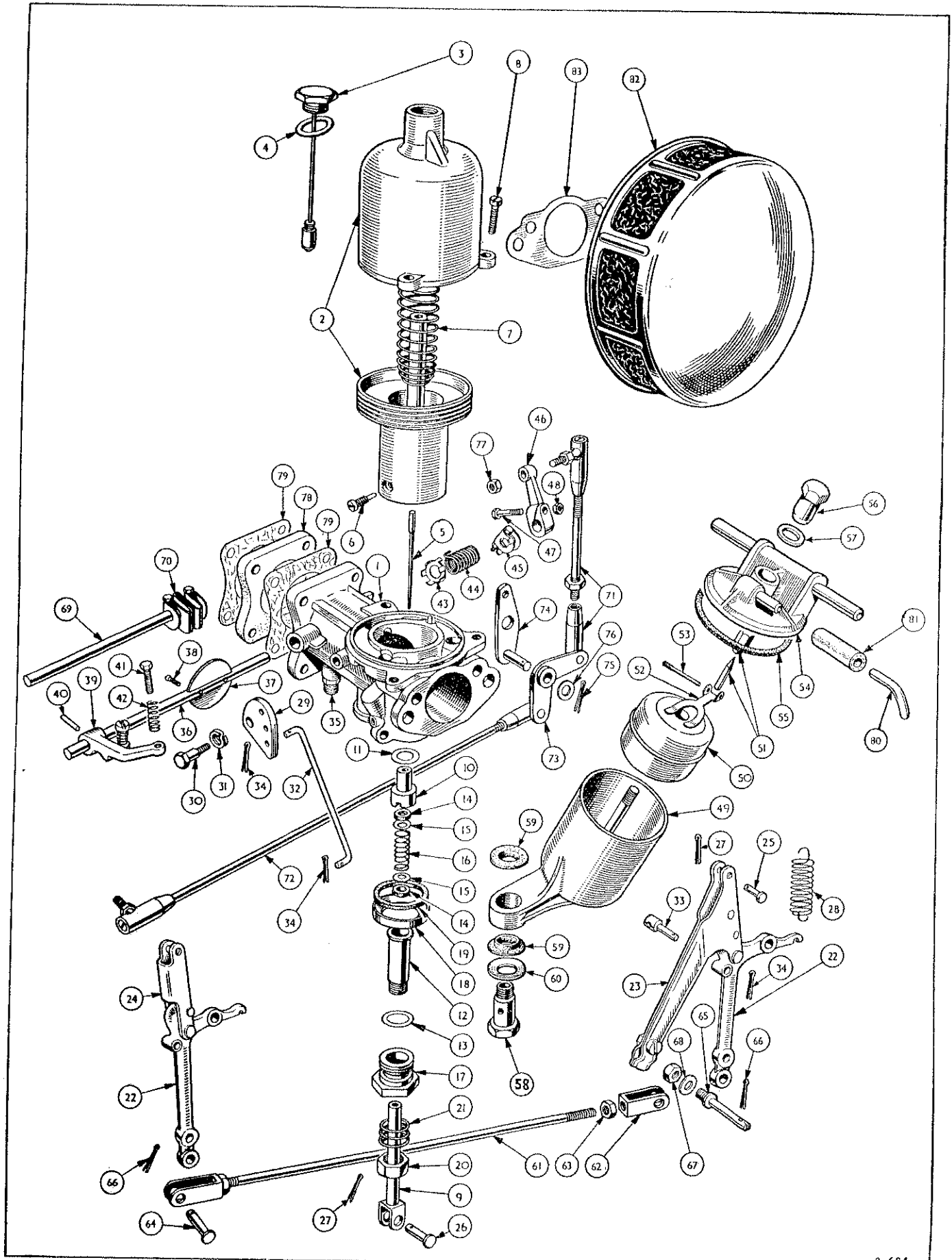


PLATE H

ENGINE

Part No.	Description	Plate No.	No. per Unit	Remarks
207535	† CARBURETTOR ASSEMBLY — FRONT		1	} Fitted up to Engine No. CT16800E and from CT16901E up to CT21470E only
207536	† CARBURETTOR ASSEMBLY — REAR		1	
503771	BODY ASSEMBLY, FRONT CARBURETTOR	H1	1	
503772	BODY ASSEMBLY, REAR CARBURETTOR		1	
108339	Pin, tickler, piston lift		2	
108341	Spring, on pin		2	
113120	Circlip, Truarc, retaining tickler pin		2	
503774	SUCTION CHAMBER AND PISTON ASSEMBLY			
108294	Washer, thrust	H2	2	
503776	Damper assembly	H3	2	
110679	Washer, between damper and suction chamber	H4	2	
504028	Needle, jet (SM)	H5	2	
503997	Screw, locking needle	H6	2	
108301	Spring, piston	H7	2	
108302	Screw, suction chamber to body	H8	6	
503781	JET AND HEAD ASSEMBLY	H9	2	
108307	Bearing, jet, top half	H10	2	
108309	Washer, between top half bearing and body	H11	2	
108308	Bearing, jet, bottom half	H12	2	
108310	Washer, between bottom half bearing and sealing nut	H13	2	
108314	Washer, gland (cork)	H14	4	
108313	Washer, gland (copper)	H15	4	
108315	Spring, between gland washers	H16	2	
108316	Nut, sealing, jet adjusting	H17	2	
108311	Ring, sealing, between sealing nut and body	H18	2	
108312	Washer (cork) in sealing ring	H19	2	
108317	Nut, jet adjusting	H20	2	
108318	Spring, between adjusting nut and sealing nut	H21	2	
503789	JET LEVER	H22	2	
503793	Link, jet lever, front carburettor	H23	1	
503806	Bolt, choke outer cable to front link		1	
108325	Nut, locking bolt		1	
503796	Washer, under nut		1	
503790	Link, jet lever, rear carburettor	H24	1	
108322	Pin, pivot pin to body and lever	H25	4	
108322	Pin, pivot lever to jet	H26	2	
108323	Pin, split, retaining pivot pin	H27	6	
108320	Spring, jet lever return	H28	2	
503800	Cam, front carburettor only	H29	1	
108368	Bolt, pivot, cam to carburettor	H30	1	
503803	Washer, spring, on bolt	H31	1	
503801	Rod, link cam to front jet lever	H32	1	
503798	Pin, link, rod to lever	H33	1	
108323	Pin, split, retaining link rod	H34	3	
108364	Union, ignition, front carburettor only	H35	1	

Note:—Items marked thus † are available on our Factory Exchange Unit Scheme

ENGINE

Part No.	Description	Plate No.	No. per Unit	Remarks	
CARBURETTOR ASSEMBLY (continued)					
	THROTTLE SPINDLE				
503816		H36	2	} Fitted up to Engine No. CT16800E and from CT16901E up to CT21470E only	
503817	Disc, throttle	H37	2		
108349	Screw, disc to spindle	H38	4		
503820	Stop, throttle, front carburettor	H39	1		
503819	Stop, throttle, rear carburettor		1		
108353	Pin, taper, stop to spindle	H40	2		
503821	Screw, adjusting stop	H41	3		
503822	Spring, adjusting screw	H42	3		
108357	Plate, anchor, spindle return spring	H43	2		
108359	Spring, return, throttle spindle	H44	2		
108358	Clip, end, throttle spindle	H45	2		
108361	Bolt, end clip to spindle		2		
108362	Nut, locking bolt		2		
108363	Washer, plain, under nut		2		
503818	Lever, throttle, front carburettor only	H46	1		
108350	Bolt, lever to spindle	H47	1		
108325	Nut, locking bolt	H48	1		
108351	Washer, spring, under nut		1		
FLOAT CHAMBER					
501542		H49	2		} Fitted up to Engine No. CT16800E and from CT16901E up to CT21470E only
108336	Float	H50	2		
501543	Needle, and seat assembly	H51	2		
108333	Lever, hinged, float needle	H52	2		
108334	Pin, hinged lever	H53	2		
506728	Lid, float chamber, front carburettor	H54	1		
506727	Lid, float chamber, rear carburettor		1		
108330	Washer, joint, between float chamber and lid	H55	2		
506729	Nut, cap, lid to float chamber	H56	2		
108347	Washer, alum, on cap nut	H57	2		
503811	Bolt, hold up, float chamber to carburettor body	H58	2		
503813	Grommet, rubber, hold up bolt	H59	4		
503812	Washer, hold up bolt	H60	2		
509620	Hold up bolt kit		1		
510207	Carburettor repair kit		1		
JET CONTROL CONNECTING ROD					
107834		H61	1	} Fitted up to Engine No. CT16800E and from CT16901E up to CT21470E only	
108324	Fork-end on rod	H62	2		
108325	Nut, locking, fork-end on rod	H63	2		
108326	Pin, joint, fork-end to rear jet lever	H64	1		
113454	Pin, joint, threaded fork-end to front jet lever	H65	1		
108323	Pin, split, retaining joint pins	H66	2		
509821	Nut, throttle cable to threaded joint pin	H67	1		
503941	Washer, plain, under nut	H68	1		

Note:—Items marked thus † are available on our Factory Exchange Unit Scheme

ENGINE

Part No.	Description	Plate No.	No. per Unit	Remarks
CARBURETTOR ASSEMBLY (continued)				
503823	THROTTLE SPINDLE CONNECTING ROD	H69	1	} Fitted up to Engine No. CT16800E and from CT16901E up to CT21470E only
108360	Coupling , folding, connecting rod to throttle spindle	H70	2	
108361	Bolt , coupling attachment		4	
108362	Nut , securing bolt		4	
108363	Washer , plain, under nut		4	
106765	LINK ROD ASSEMBLY — SHORT	H71	1	
106764	LINK ROD ASSEMBLY — LONG	H72	1	
106756	Lever , bellcrank, assembly	H73	1	
112854	Lever , pivot assembly	H74	1	
HU0806	Screw , set, pivot lever to manifold		1	
WL0208	Washer , spring, on setscrew		1	
PC0008	Pin , split, bellcrank to pivot lever	H75	1	
WP0008	Washer , plain, between lever and split pin	H76	1	
WL0207	Washer , spring, on rods		4	
JN2107	Nut , short, rod to throttle lever	H77	1	
112866	Washer , insulating, between carburettor and manifold	H78	2	
112867	Washer , joint, both sides of insulating washer	H79	4	
HN2008	Nut , carburettor to manifold		8	
WL0208	Washer , spring, under nut		8	
PUMP TO CARBURETTOR PIPES				
115783	Pipe assembly , flexible, rigid pipe to carburettor		1	
305059	Pipe assembly , rigid, pump to flexible pipe		1	
120329	Pipe , carburettor to carburettor		1	
120331	Connection , flexible pipe, carburettor to carburettor		2	
113503	Clip , petrol pipe to thermostat housing		1	
CD26900	Grommet , pipe clip		1	
121273	CARBURETTOR OVERFLOW PIPE	H80	2	
121274	Connection , flexible, overflow pipe	H81	2	
509167	SUCTION PIPE ASSEMBLY (between Carburettor and Distributor)		1	
38303	Clip , suction pipe attachment		2	

Note:—Items marked thus † are obtainable on our Factory Exchange Unit Scheme

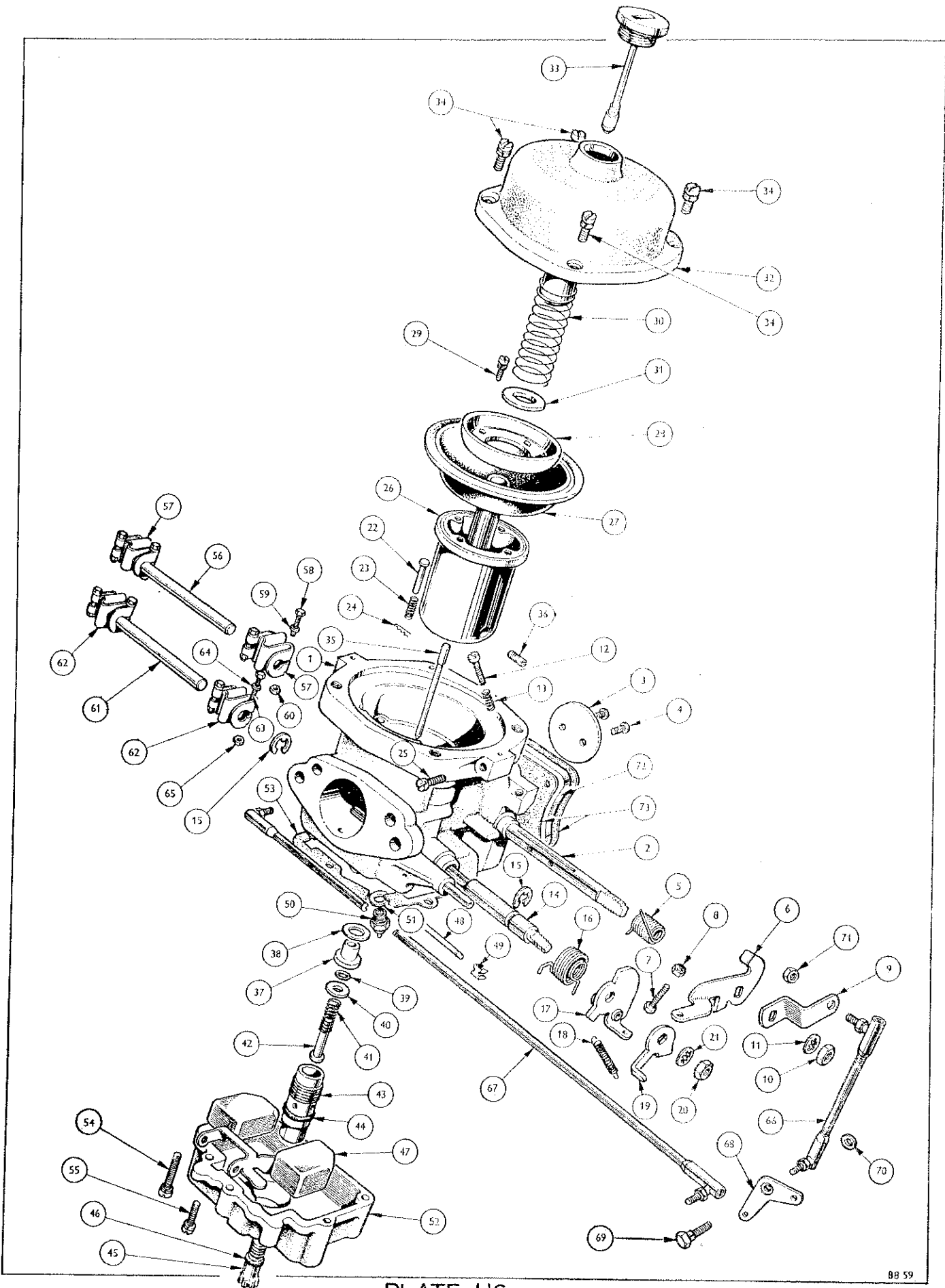


PLATE HS

ENGINE

Part No.	Description	Plate No.	No. per Unit	Remarks
209832	†CARBURETTOR ASSEMBLY — FRONT		1	} Fitted from Engine No. CT16801E up to CT16900E and from CT21471E and future
209833	†CARBURETTOR ASSEMBLY — REAR		1	
512322	MAIN BODY ASSEMBLY	HS1	2	
512285	Spindle, throttle	HS2	1	
512283	Throttle	HS3	2	
512284	Screw, throttle to spindle	HS4	4	
512286	Spring, throttle return, front carburettor only	HS5	1	
512321	Spring, throttle return, rear carburettor only		1	
512289	Lever, throttle stop and fast-idler, front carburettor only	HS6	1	
512332	Lever, throttle stop, rear carburettor only		1	
512288	Screw, fast-idler adjustment	HS7	1	
512287	Nut, locking screw	HS8	1	
512290	Lever, throttle	HS9	1	
512333	Washer, spacing, rear carburettor only		1	
512292	Nut	HS10	2	
512291	Washer, shakeproof	HS11	2	
512314	Screw, clamping control wire, front carburettor only	HS12	1	
512282	Spring, throttle stop screw	HS13	2	
512297	Bar, starter, front carburettor only	HS14	1	
512329	Bar, starter, assembly, rear carburettor only		1	
512298	Ring, retaining starter bar in body	HS15	4	
512296	Spring, starter bar, front carburettor only	HS16	1	
512330	Spring, starter bar, rear carburettor only		1	
512295	Lever assembly, loose, front carburettor only	HS17	1	
512294	Spring, loose lever return, front carburettor only	HS18	1	
512293	Lever, choke, front carburettor only	HS19	1	
512292	Nut	HS20	1	
512291	Washer, shakeproof	HS21	1	
512326	Pin, air valve lifting	HS22	2	
512325	Spring, air valve lift pin	HS23	2	
512324	Clip, securing air valve lift pin in body	HS24	2	
512314	Screw, clamping control wire, front carburettor only	HS25	1	
512328	Elbow, suction advance, front carburettor only		1	

Note:—Items marked thus † are available on our Factory Exchange Unit Scheme

ENGINE

Part No.	Description	Plate No.	No. per Unit	Remarks	
CARBURETTOR ASSEMBLY (continued)					
512279	AIR VALVE AND SHAFT DIAPHRAGM ASSEMBLY	HS26	2	} Fitted from Engine No. CT16801E up to CT16900E and from CT21471E and future	
512278	Diaphragm, air valve	HS27	2		
512277	Ring, diaphragm retaining	HS28	2		
512276	Screw and spring washer, securing diaphragm to air valve	HS29	8		
512321	Spring, air valve return	HS30	2		
512320	Washer, air valve return spring	HS31	2		
512275	Cover, suction chamber	HS32	2		
512327	Damper assembly	HS33	2		
512274	Screw and spring washer, securing suction chamber cover to main body	HS34	8		
JET DETAILS					
512323	Needle, metering	HS35	2		
512280	Screw, locking metering needle in air valve	HS36	2		
512318	Bushing, jet orifice	HS37	2		
512319	Washer, bushing	HS38	3		
512317	'O' ring, fitted in bushing	HS39	2		
512316	Washer, between 'O' ring and jet orifice spring	HS40	2		
512315	Spring, jet orifice	HS41	2		
512313	Orifice, jet	HS42	2		
512312	Screw, bushing retaining	HS43	2		
512311	'O' ring, bushing retaining screw	HS44	2		
512307	Screw, orifice adjusting	HS45	2		
512308	'O' ring, orifice adjusting screw	HS46	2		
FLOAT AND ARM					
512310	Pin, float fulcrum	HS47	2		
512299	Pin, float fulcrum	HS48	2		
512300	Clip, float fulcrum pin	HS49	2		
512302	Needle and seat, float chamber	HS50	2		
512301	Washer, needle seating	HS51	2		
512303	Float chamber	HS52	2		
512309	Gasket, float chamber	HS53	2		
512306	Screw and spring washer (long)	} Float chamber to main body	HS54	5	
512305	Screw and spring washer (short)		HS55	3	
512304	Washer, spring on screw			8	

Note:—Items marked thus † are available on our Factory Exchange Unit scheme

ENGINE

Part No.	Description	Plate No.	No. per Unit	Remarks
CARBURETTOR ASSEMBLY (continued)				
CARBURETTOR COUPLING DETAILS				
512336	Spindle assembly, throttle coupling	HS56	1	} Fitted from Engine No. CT16801E up to CT16900E and from CT21471E and future
512335	Coupling assembly	HS57	2	
512340	Screw	HS58	4	
512339	Washer	HS59	4	
512334	Nut	HS60	4	
512337	Spindle assembly, starter bar coupling	HS61	1	
512338	Coupling assembly	HS62	2	
512340	Screw	HS63	4	
512339	Washer	HS64	4	
512334	Nut	HS65	4	
106765	LINK ROD ASSEMBLY — SHORT	HS66	1	
106764	LINK ROD ASSEMBLY — LONG	HS67	1	
136481	Lever, bellcrank	HS68	1	
136482	Bolt, shouldered	HS69	1	
WP0008	Washer, plain	HS70	1	
WL0208	Washer, spring on rods		4	
JN2107	Nut, short rod to throttle lever	HS71	1	
112866	Washer, insulating, between carburettor and manifold	HS72	1	
112867	Washer, joint, both sides of insulating washer	HS73	2	
HN2008	Nut, carburettor to manifold		8	
WL0208	Washer, spring, under nut		8	
PUMP — TO CARBURETTOR PIPES				
115783	Pipe assembly, flexible, rigid pipe to carburettor		1	
305995	Pipe assembly, rigid, pump to flexible pipe		1	
136489	Pipe assembly, carburettor to carburettor		1	
120331	Connection, flexible pipe to carburettor		2	
133072	Clip, petrol pipe to thermostat housing		1	
133083	Grommet, pipe clip		1	
305997	SUCTION PIPE ASSEMBLY (Between Carburettor and Distributor)		1	
131211	Sleeve, pipe to carburettor		1	
514469	GASKET, REPAIR SET		2	

Note:—Items marked thus † are available on our Factory Exchange Unit Scheme

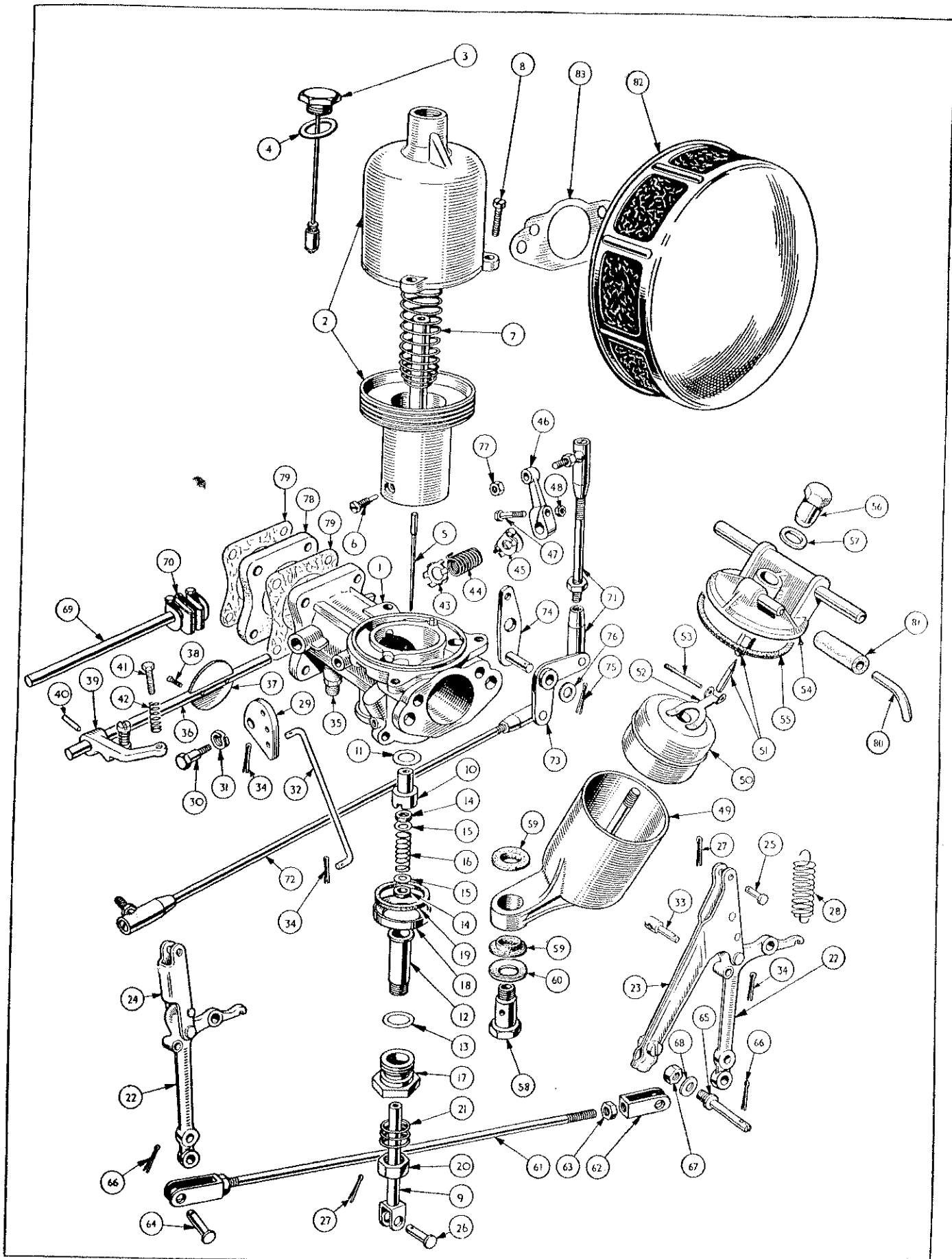


PLATE H

ENGINE

Part No.	Description	Plate No.	No. per Unit	Remarks
203131	AIR CLEANER	H82	2	} Fitted up to Engine No. CT only
112892	Gasket , between air cleaner and carburettor	H83	2	
HU0807	Setscrew , air cleaner to carburettor		4	
WL0208	Washer , spring, on setscrew		4	
212008	AIR CLEANER		2	} Fitted from Engine No. CT23594 up to Engine No. CT only
HB0825	Bolt		4	
WL0208	Washer, lock		4	
HN2008	Nut		4	
				} Air cleaners to carburettors
138118	AIR CLEANER		2	} Fitted from Engine No. CT23594 up to Engine No. CT only. For N.A.D.A. when closed circuit breather is fitted
HB0827	Bolt , air cleaner and 'Y' piece to carburettors		2	
HB0825	Bolt		2	
HN2008	Nut		4	
WL0208	Washer, lock		4	
				} Air cleaner to carburettors
209269	AIR CLEANER		2	} Fitted from Engine No. CT up to Engine No. CT only. For N.A.D.A. only when closed circuit breather is fitted
112892	Gasket		2	
HB0821	Bolt		2	
WL0208	Washer, lock		4	
HN2008	Nut		4	
HB0823	Bolt , air cleaner and 'Y' piece to carburettors		2	
38073	'Y' piece and support bracket assembly		1	
137191	Washer , rubber		4	
137192	Spacer		2	
WP0008	Washer , plain		2	
138098	Hose , rocker cover to breather pipe extension		1	
138078	Extension , breather pipe		1	
138099	Hose , breather pipe extension to 'Y' piece		1	
137974	Hose , 'Y' piece to air cleaner		2	
212273	AIR CLEANER AND SILENCER ASSEMBLY		1	} Fitted from Engine No. CT and future For all markets
212278	Element (Upper)		2	
112892	Washer , joint		4	
212275	Cover , top, assembly		1	
212277	Backplate assembly		1	
HU0704	Setscrew		1	
WP0007	Washer , plain		1	
WL0207	Washer , lock		1	
HB0824	Bolt		4	
WP0008	Washer , plain		4	
WL0208	Washer , lock		4	
HN2008	Nut		4	
112892	Washer , joint		2	
142940	Hose , breather, air box to rocker cover		1	
				} Backplate assembly to top cover assembly
				} Air cleaner to carburettors

Note:—Items marked thus † are available on our Factory Exchange Unit Scheme

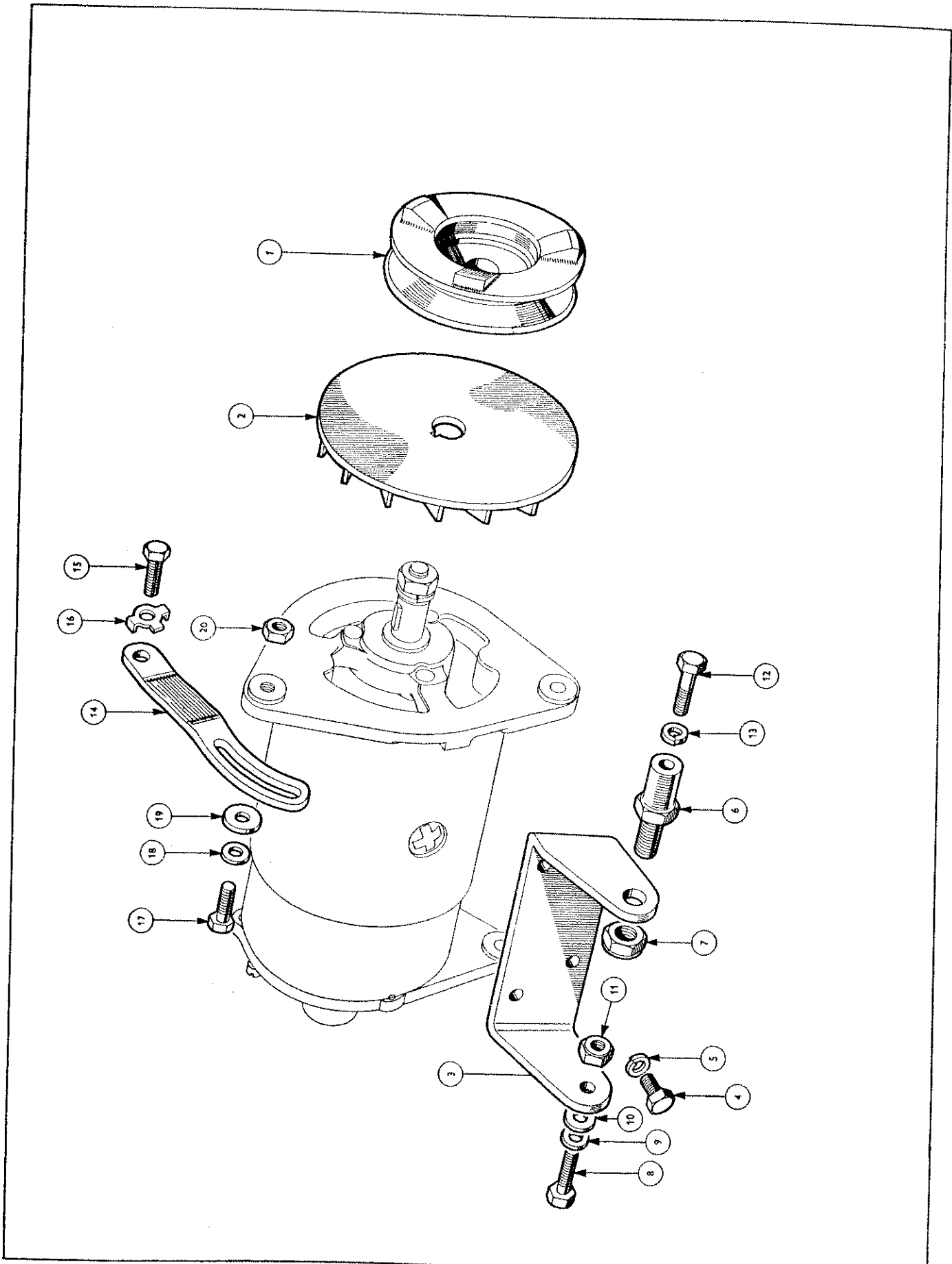


PLATE J

ENGINE

Part No.	Description	Plate No.	No. per Unit	Remarks
DYNAMO MOUNTING				
Dynamo , for details, see Electrical Section				
102266	Pulley , dynamo	J1	1	
102986	Fan assembly	J2	1	
58912	Bracket , dynamo	J3	1	
HU0856	Screw , set	J4	3	} Dynamo bracket to cylinder block
WL0208	Washer , lock	J5	3	
59015	Pedestal , dynamo	J6	1	
TN3211	Nut	J7	1	
113094	Bolt	J8	1	} Dynamo to bracket
WP0008	Washer , plain	J9	as req'd.	
WP0133	Washer , plain	J10	as req'd.	
TN3208	Nut , Nyloc, thin	J11	1	rear
59115	Bolt ,	J12	1	} Dynamo to pedestal (front)
WL0208	Washer , lock	J13	1	
58914	Link , adjusting, dynamo	J14	1	
HB0859	Bolt	J15	1	} Link to water pump body
106706	Washer , tab	J16	1	
HB0859	Bolt	J17	1	
WP0019	Washer , plain	J18	1	} Link to dynamo
WP0017	Washer , plain	J19	1	
JN2158	Nut , jam	J20	1	
IGNITION				
125046	Plug , sparking		4	
504798	Ignition , wiring set		1	Fitted up to Engine No. only
102711	Grommet		4	
514647	Ignition , wiring set		1	Fitted from Engine No. and future

Note:—Items marked thus † are available on our Factory Exchange Unit Scheme

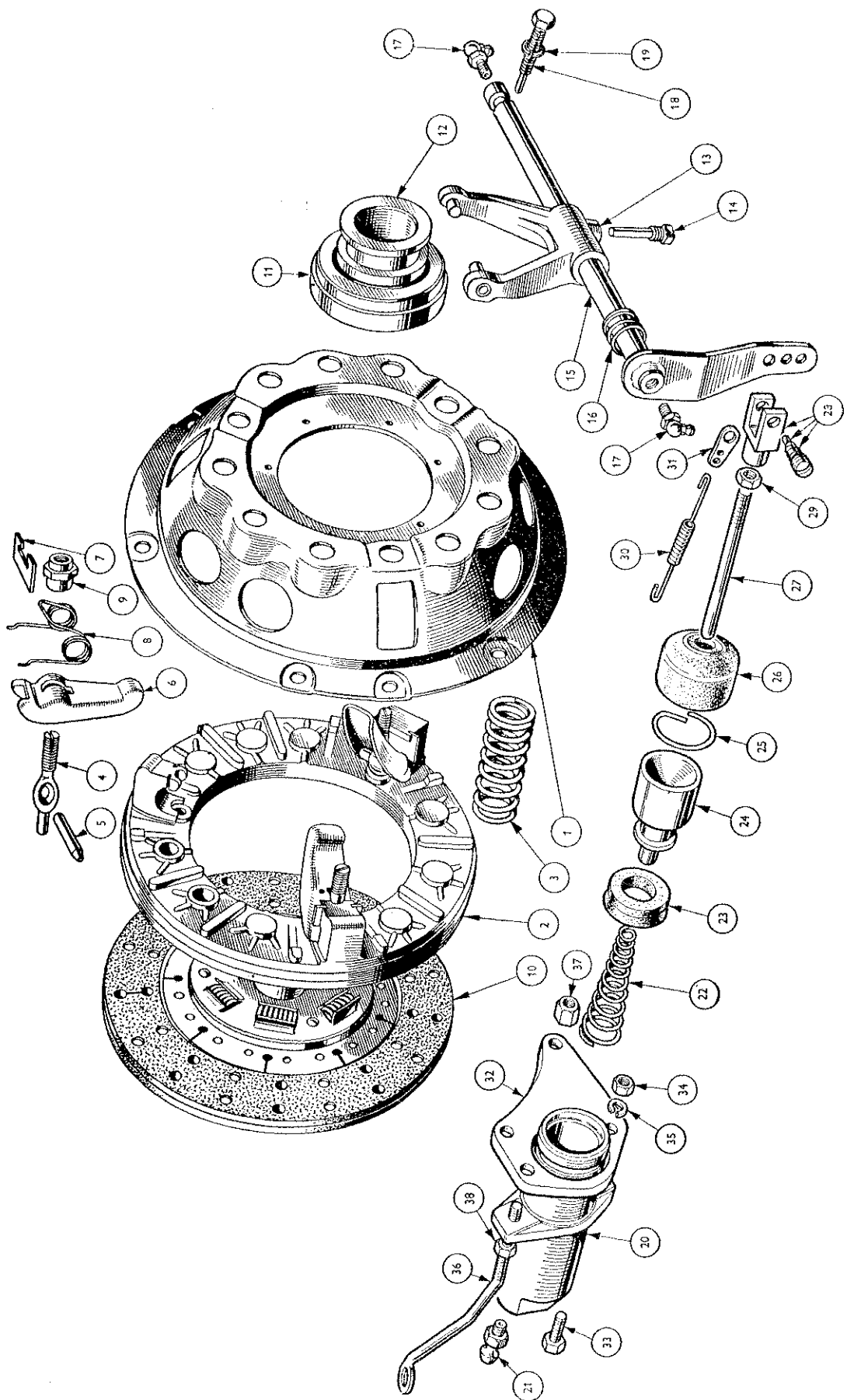


PLATE K

CLUTCH

4

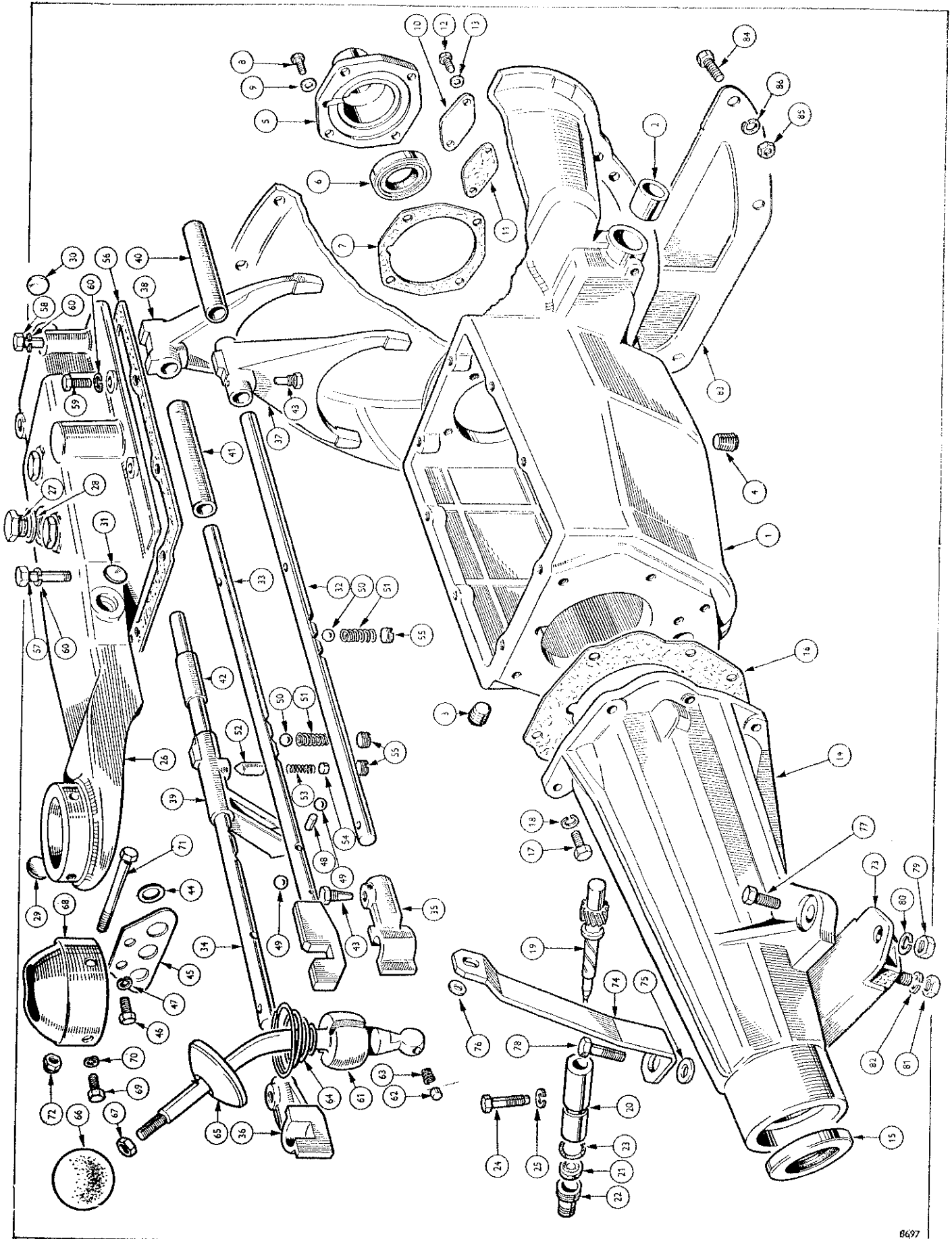
Part No.	Description	Plate No.	No. per Unit	Remarks
70380	† CLUTCH COVER ASSEMBLY — BALL THROW-OUT TYPE		1	
52399	Cover, clutch	K1	1	
46032	Plate, pressure	K2	1	
48650	Spring, thrust, cream	K3	9	
501132	Eyebolt, release lever	K4	3	
42537	Pin, release lever	K5	3	
501211	Lever, release	K6	3	
41326	Strut, release lever	K7	3	
500992	Spring, anti-rattle	K8	3	
501131	Nut, eyebolt to cover	K9	3	
116638	DRIVEN PLATE ASSEMBLY	K10	1	
59621	Facing package		1	
DP0407	Dowel, locating clutch cover on flywheel		2	
HU0856	Screw, set, clutch cover to flywheel		6	
WL0208	Washer, spring, on setscrews		6	
501608	CLUTCH THROW-OUT BEARING	K11	1	
100159	Sleeve, clutch throw-out	K12	1	
106022	CLUTCH OPERATING FORK	K13	1	
56965	Pin, taper, fork to clutch shaft	K14	1	
30047	Wire, locking, taper pin		1	
108887	CLUTCH OPERATING SHAFT	K15	1	} Fitted up to Commission No. only
105752	Spring, on shaft	K16	1	
500098	Nipple, grease shaft ends	K17	2	
WF0507	Washer, fibre, under nipple		2	
102805	Bolt, locating shaft in housing	K18	1	
WL0208	Washer, spring, on bolt	K19	1	
142413	CLUTCH SHAFT ASSEMBLY		1	} Fitted from Commission No. and future
105752	Spring, on clutch shaft		1	
114531	CLUTCH SLAVE CYLINDER ASSEMBLY		1	} Not serviced
	Body, cylinder	K20	1	
108756	Screw, bleed, cylinder body	K21	1	
105676	Cover, dust, over bleed screw		1	
106084	Spring, between piston seal and cylinder body	K22	1	
504849	Seal, piston	K23	1	
504848	Piston	K24	1	
504850	Circlip, piston stop	K25	1	
504851	Cover, dust, cylinder body	K26	1	
504852	Rod, push	K27	1	

Note:—Items marked thus † are available on our Factory Exchange Unit Scheme

CLUTCH

Part No.	Description	Plate No.	No. per Unit	Remarks
57193	FORK-END ASSEMBLY (Push Rod to Clutch Shaft)	K28	1	
PC0035	Pin, split, retaining clevis pin		1	
JN2108	Nut, locking fork-end on push rod	K29	1	
43929	Spring, return, clutch shaft	K30	1	
106347	Plate, anchor, return spring	K31	1	
128042	SLAVE CYLINDER SUPPORT BRACKET	K32	1	
HB0809	Bolt, slave cylinder to support bracket	K33	1	
HN2008	Nut, securing bolt	K34	1	
WV0208	Washer, spring, under nut	K35	1	
128043	Stay, slave cylinder	K36	1	
YN2908	Nut, nyloc, stay attachment	K37	1	
HN2008	Nut, hex, stay attachment	K38	1	

Note:—Items marked thus † are available on our Factory Exchange Unit Scheme



8697

PLATE L

TRIUMPH SPORTS 20 TR4

GEARBOX

Part No.	Description	Plate No.	No. per Unit	Remarks
510920	† GEARBOX UNIT (less Gear Lever)		1	
304692	GEARBOX AND CLUTCH HOUSING	L1	1	Fitted up to Commission No. CT31506 (Normal) and Commission No. CT31636 (Overdrive) only
212285	GEARBOX AND CLUTCH HOUSING ASSEMBLY		1	Fitted from Commission No. CT31507 (Normal), Commission No. CT31637 (Overdrive) up to Commission No. CT50124 only
201622	GEARBOX AND CLUTCH HOUSING ASSEMBLY		1	} Fitted from Commission No. CT50125 and future } Fitted up to Commission No. CT50124 only
137651	Bush, clutch shaft		2	
36997	Bush, clutch shaft housing	{ R.H. L.H.	1	
36998			1	
60420	Plug, core, front end of gearbox		1	
114774	Plug, oil level, in side of gearbox	L3	1	
114774	Plug, drain, in bottom of gearbox	L4	1	
100157	FRONT END COVER	L5	1	
60215	Seal, in front end cover	L6	1	Fitted up to Commission No. CT23846
139314	Seal, front end cover		1	Fitted from Commission No. CT23847 up to Commission No. CT24996
60215	Seal, front end cover		1	Fitted from Commission No. CT24997 and future
141756	Seal, front end cover		1	For competition work only
59537	Washer, joint	L7	1	} Front end cover to gearbox
WU3857	Screw, wedglok	L8	4	
114034	Washer, plain	L9	4	
55773	Cover, countershaft end	L10	1	
55774	Gasket	L11	1	
123888	Screw, wedglok	L12	2	
114034	Washer, plain	L13	2	
305048	GEARBOX EXTENSION	L14	1	
58958	Seal, oil, rear of extension	L15	1	
132465	Washer, paper	L16	1	} Extension to gearbox
HU0858	Screw, set	L17	5	
HB0866	Bolt		1	
WL0208	Washer, lock	L18	6	
107749	SPEEDO DRIVEN GEAR AND BEARING ASSEMBLY		1	
58969	Gear, speedo driven	L19	1	
107747	Bearing, speedo driven gear	L20	1	
60247	Seal, oil, between screwed end and bearing	L21	1	
60246	End, screwed	L22	1	
107750	Ring, seal	L23	1	
107746	Screw, locking	L24	1	} Bearing to extension
WL0208	Washer, lock	L25	1	

Note:—Items marked thus † are available on our Factory Exchange Unit Scheme



GEARBOX

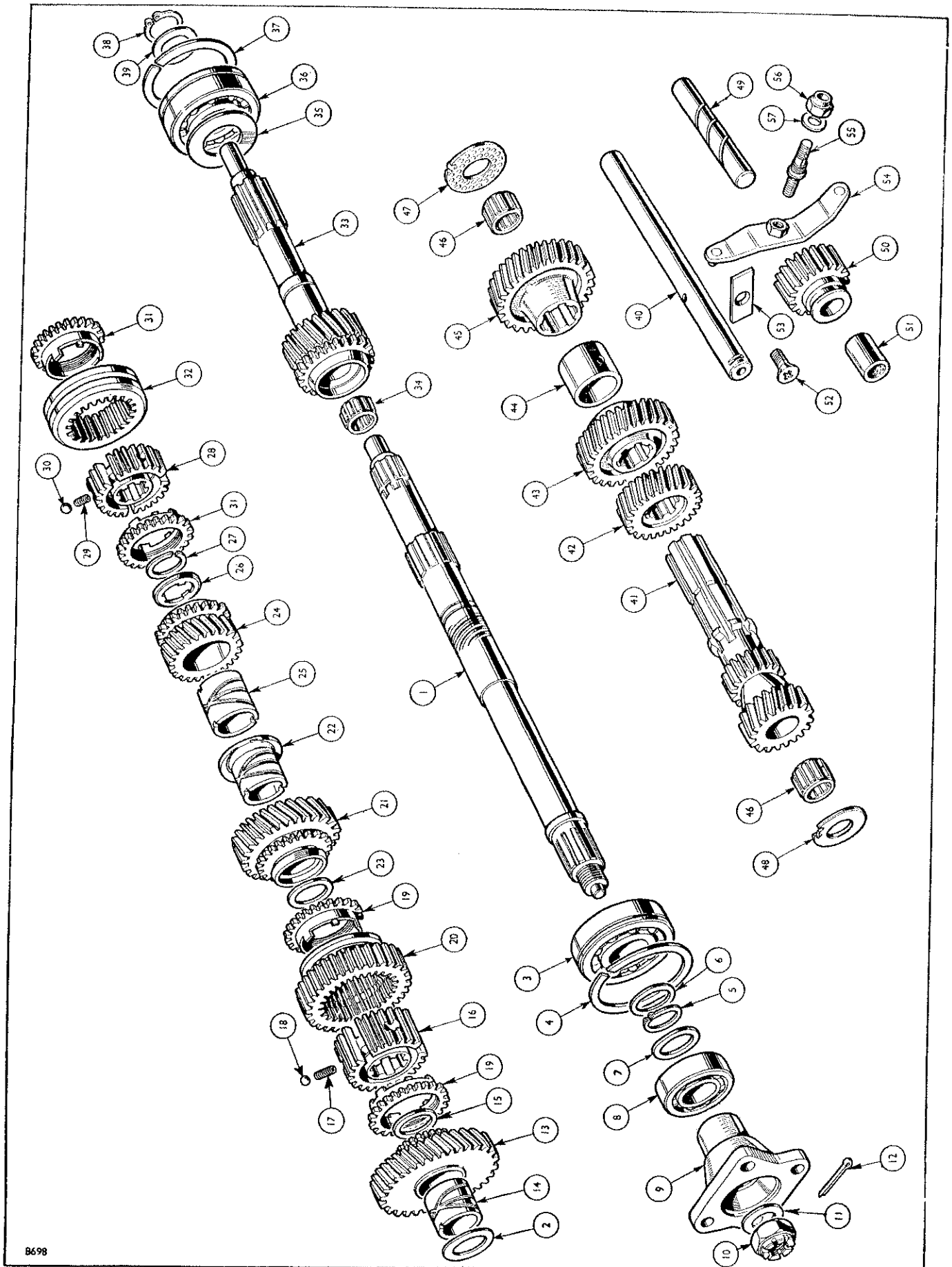
Part No.	Description	Plate No.	No. per Unit	Remarks	
509852	TOP COVER ASSEMBLY		1		
511027	Cover, top, complete with plugs	L26	1		
108114	Plug, fitted in cover (2 off not required with Overdrive fitted) (1 off not required with Reverse Light fitted)	L27	3		
501258	Washer, copper, on plug	L28	3		
104449	Plug, welch {	Interlock aperture	1		
104449		selector shafts	3		
54505		in sides of top cover	2		
128066	Shaft selector {	1st and 2nd	1		
129986		3rd and top	1		
132389		Reverse	1		
127386	Selector {	1st and 2nd	1		
127385		Reverse	1		
128067	Fork, selector {	1st and 2nd	1		
127387		3rd and top	1		
129780	Actuator, reverse	L39	1		
128063	Sleeve, 1st/2nd shaft	L40	1		
117811	Sleeve, 3rd and top shaft	L41	1		
129779	Sleeve, reverse selector shaft	L42	1		
122653	Screw, taper, securing selectors and forks to shaft	L43	5		
106050	Ring, sealing, selector shaft	L44	3		
106051	Plate, cover, over sealing ring	L45	1		
HU0704	Screw, set {	Cover plate	2		
WL0207		to top cover	2		
105788	Roller, interlock {	Fitted in	1		
BL0024		top cover	2		
BL0024	Ball, selector shafts, forward gears	L50	2	} Fitted up to Commission No. CT9898 only	
101236	Spring, ball	L51	2		
BL0024	Ball, selector shaft, 1st and 2nd gear		1	} Fitted from Commission No. CT9899 and future	
101236	Spring, ball		1		
106481	Plunger, selector shaft, 3rd and top		1		
106489	Spring, plunger		1		
109401	Piece, distance, plunger		1		
132388	Plunger, reverse selector	L52	1		
106489	Spring, reverse plunger	L53	1		
109401	Piece, distance, selector shaft plunger—Reverse	L54	1		
108166	Plug, retaining spring	L55	3		
105758	Washer, joint, top cover	L56	1		
HB0873	Bolt {		2		
HB0871			2		
56370		Screw, set	L59	4	
WL0208		Washer, lock	L60	8	

Note:—Items marked thus † are available on our Factory Exchange Unit Scheme

GEARBOX

Part No.	Description	Plate No.	No. per Unit	Remarks
131507	CHANGE SPEED LEVER ASSEMBLY	L61	1	
112424	Plunger } In ball end	L62	1	
37502	Spring }	L63	1	Fitted up to Gearbox No. CT26566 only
137988	Spring		1	Fitted from Gearbox No. CT26567 and future
109531	Spring } Fitted	L64	1	
112442	Retainer, spring } under cap	L65	1	
131246	Knob	L66	1	
506157	Nut, jam	L67	1	
105787	Cap, change speed lever	L68	1	
HU0703	Screw, set } Cap to	L69	1	
WL0207	Washer, lock } top cover	L70	1	
HB0727	Bolt } Lever to	L71	1	
TN3207	Nut, nyloc } top cover	L72	1	
705913	Grommet, gear lever		1	
GEARBOX ATTACHMENT DETAILS				
HU0858	Screw, set } Gearbox to		6	Alternative to HB0860
HB0860	Bolt }		6	Alternative to HU0858
WL0208	Washer, lock }		6	
HN2008	Nut }		3	
WL0208	Washer, lock }		3	
121504	REAR ENGINE MOUNTING	L73	1	
131711	Strap, anti-vibration } Gearbox extension	L74	1	Fitted up to Gearbox No. CT17814 only
131690	Washer, spacing } to top	L75	1	
WM0093	Washer, plain } cover	L76	1	
132951	Strap, anti-vibration		1	Fitted from Gearbox No. CT17815 and future
132604	Weight and bush assembly, vibration damper		1	Fitted from Gearbox No. CT17815 up to Gearbox No. CT35719 only
132607	Clip, vibration damper		1	
HB1024	Bolt } Weight to clip		1	
WM0069	Washer, plain }		1	
YN2910	Nut, nyloc }		1	
132608	Strap, vibration damper		1	
HU0806	Screw, set } Clip to straps		1	
HB0811	Bolt }		1	
YN2908	Nut, nyloc }		2	
HB1112	Bolt } Engine mounting	L77	1	
HB1115	Bolt } to gear box	L78	1	
HN2011	Nut } extension	L79	1	
WL0211	Washer, lock }	L80	2	
HN2010	Nut } Engine mounting	L81	2	
WL0210	Washer, lock } to cross member	L82	2	
112445	CLUTCH HOUSING COVER	L83	1	
HU0806	Setscrew } Cover to gearbox	L84	2	
HU0808	Setscrew }		2	
HU0810	Setscrew }		2	
HN2008	Nut }	L85	4	
WL0208	Washer, lock }	L86	4	

Note:—Items marked thus † are available on our Factory Exchange Unit Scheme



B698

PLATE M

TRIUMPH SPORTS CAR 20 TR4

GEARBOX

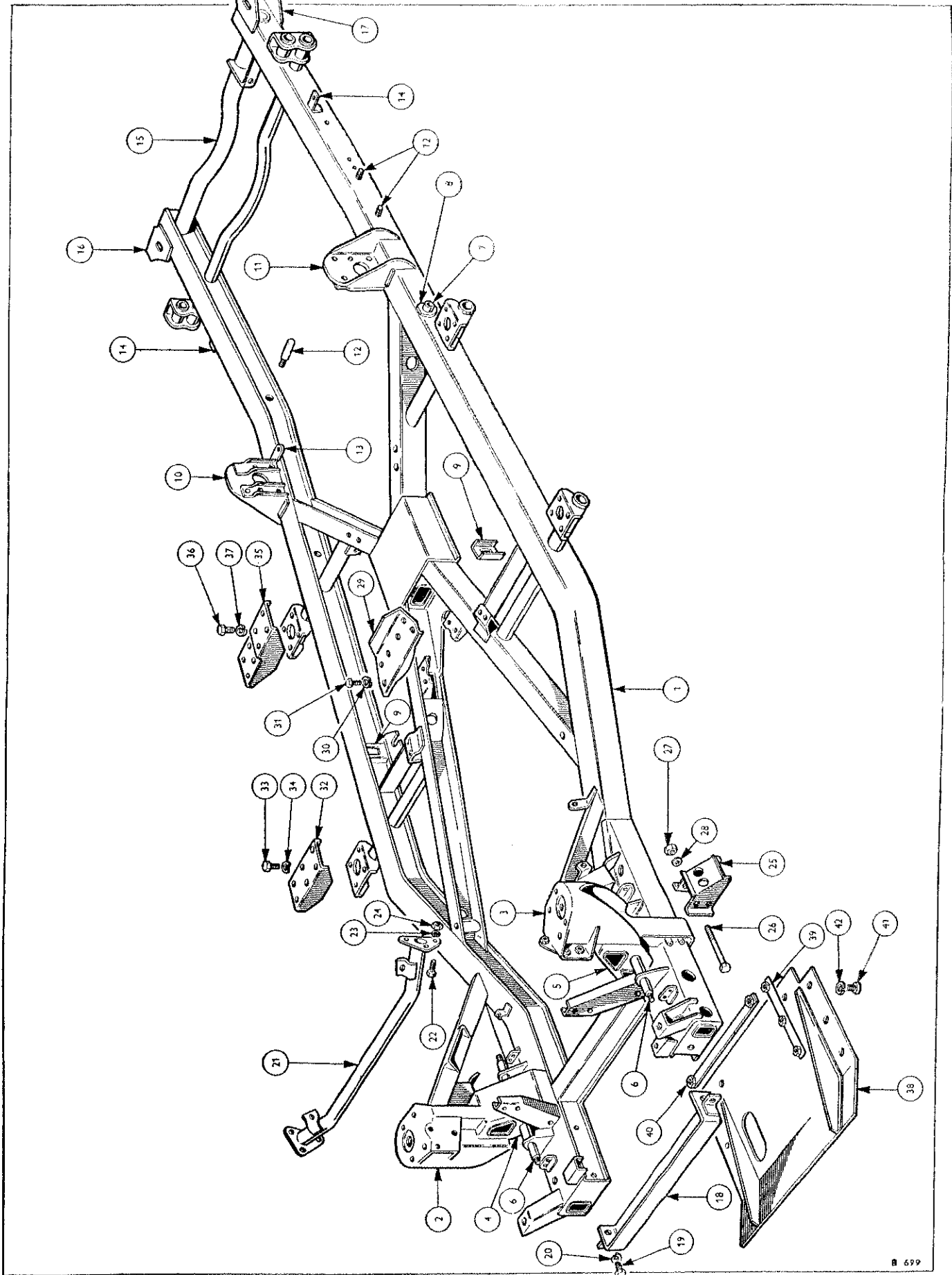
Part No.	Description	Plate No.	No. per Unit	Remarks	
208051	MAINSHAFT	M1	1		
116496	Washer, between 1st gear and bearing	M2	1		
58391	Bearing, mainshaft centre	M3	1		
58955	Circlip, locating bearing in casing	M4	1		
58956	Circlip, retaining bearing on shaft	M5	1		
59443	Washer, between circlip and bearing	M6	1		
58949	Washer	} Mainshaft	M7	1	
SP756	Bearing		M8	1	
58948	Flange, mainshaft	M9	1		
57868	Nut, slotted	} Flange	M10	1	
WP0024	Washer, plain		M11	1	
PC0012	Pin, split	to mainshaft	M12	1	
128100	Gear, 1st speed	M13	1		
129940	Bush, 1st speed	M14	1		
129941		} .118" .121" .124" .127"		as req'd.	
129942	Washer, fitted between 1st gear		M15	1	as req'd.
129943	and mainshaft			1	as req'd.
129944				1	as req'd.
134670				as req'd.	
128102	Hub, synchro 1st and 2nd	M16	1		
122075	Spring	} Fitted in 1st and 2nd	M17	3	
BL0016	Ball		synchro hub	M18	3
113431	Cup, synchro 1st and 2nd gear	M19	2		
128103	Gear, reverse and operating sleeve	M20	1		
105629	Gear, 2nd speed	M21	1		
129939	Bush, 2nd speed gear	M22	1		
129941		} .118" .121" .124" .127"		as req'd.	
129942	Washer, fitted between 2nd gear		M23	1	as req'd.
129943	and mainshaft			1	as req'd.
129944				1	as req'd.
105630	Gear, 3rd speed	M24	1		
129940	Bush, 3rd speed gear	M25	1		
101586	Washer	} Retaining 3rd speed gear	M26	1	
55707	Circlip		on mainshaft	M27	1
509649	Sleeve, synchro and operating assembly 3rd and top. comprising items 28, 29, 30 and 34	M28	1		
122075	Spring	} Fitted in 3rd and top	M29	3	
BL0016	Balls		synchro sleeve	M30	3
113431	Cup, synchro, 3rd and top	M31	2		
204215	CONSTANT PINION SHAFT	M33	1		
128933	Bearing, needle roller, pinion shaft	M34	1	Alternative to 117836	
117836	Bearing, needle roller, pinion shaft	M34	1	Alternative to 128933	
60658	Thrower, oil, constant pinion	M35	1		
58391	Bearing, ball	M36	1		
58955	Circlip, locating, bearing in casing	M37	1		
58956	Circlip, retaining, bearing on shaft	M38	1		
60078	Washer, bearing	M39	1		

Note:—Items marked thus † are available on our Factory Exchange Unit Scheme

GEARBOX

Part No.	Description	Plate No.	No. per Unit	Remarks
128105	COUNTERSHAFT	M40	1	
128107		M41	1	
128108	Gear, countershaft	M42	1	} Fitted up to Gearbox No. only
105659		M43	1	
140508			1	
140509	Gear, countershaft		1	} Fitted from Gearbox No. and future
59456	Piece, distance, between 3rd and constant gears	M44	1	
105626	Gear, constant	M45	1	Fitted up to Gearbox No. only
142434	Gear, constant		1	Fitted from Gearbox No. and future
126862	Bearing, needle	M46	1	Alternative to 128934
129955	Washer, thrust	M47	1	
129956		M48	1	
129937	REVERSE SPINDLE	M49	1	
128110	Wheel, reverse assembly	M50	1	
129862	Bush, reverse wheel	M51	1	
129954	Screw, wedglok	M52	1	} C/shaft and reverse shaft to gear box rear of C/shaft
129938	Plate, locking	M53	1	
129894	REVERSE OPERATING LEVER ASSEMBLY	M54	1	
106448	Pin, fulcrum, fitted in gear box	M55	1	
TN3209	Nut, nyloc	M56	1	} Fulcrum pin to gear box
WP0036	Washer, plain	M57	1	

Note:--Items marked thus † are available on our Factory Exchange Unit Scheme



B 699

PLATE N

TRIUMPH SPORTS CAR 20 TR4

CHASSIS FRAME

Part No.	Description	Plate No.	No. per Unit	Remarks
304856	CHASSIS FRAME ASSEMBLY	N1	1	Fitted up to Commission No. CT4387 disc wheels and CT4689 wire wheels only
305719	CHASSIS FRAME ASSEMBLY		1	Fitted from Commission No. CT4388 disc wheels and CT4690 wire wheels up to Commission No. CT20063 only
305984	CHASSIS FRAME ASSEMBLY		1	Fitted from Commission No. CT20064 up to CT23382 L.H.S. and CT20265 R.H.S. only
306502	CHASSIS FRAME ASSEMBLY		1	Fitted from Commission No. CT23383 and future
301237	Bracket assembly, front } R.H.	N2	1	} Fitted up to Commission No. CT4387 disc wheels and CT4689 wire wheels
301238	Spring abutment } L.H.	N3	1	
305717	Bracket assembly, front } R.H.		1	} Fitted from Commission No. CT4388 disc wheels and CT4690 wire wheels and future
305718	Spring abutment } L.H.		1	
101440	Cup, spring location		2	
109283	Bracket assembly } R.H.		1	} Fitted up to Commission No. CT4387 disc wheels and CT4689 wire wheels only
109285	bump stop } L.H.		1	
133637	Bracket assembly } R.H.		1	} Fitted from Commission No. CT4388 disc wheels and CT4690 wire wheels and future
133638	bump stop } L.H.		1	
208114	Bracket assembly, engine } R.H.	N4	1	
208113	mounting } L.H.	N5	1	
106196	Pin, fulcrum, lower wishbone	N6	2	
106229	Tube, anchor, rear spring, front end	N7	2	
107665	Washer, reinforcing anchor tube	N8	2	
110791	Bracket, jack	N9	2	
110788	Bracket, rear shock } R.H.	N10	1	
110789	absorber mounting } L.H.	N11	1	
107477	Bolt, mounting, axle check strap	N12	2	Fitted up to Commission No. CT23382 only
137339	Bracket, anchor, axle check strap		4	Fitted from Commission No. CT23383 and future
106194	Bracket, rear, brake pipe support	N13	1	
108194	Bracket, rear wing stay	N14	2	
201990	Cross-member, rear	N15	1	
108540	Bracket assembly, body } R.H.	N16	1	
108541	mounting, rear } L.H.	N17	1	
208639	Cross-member, radiator protection	N18	1	
HU0906	Screw, set } Cross-member	N19	2	
WL0209	Washer, lock } to	N20	2	
WP0009	Washer, plain } chassis frame		2	
208604	Cross-tube assembly, top	N21	1	

Note:—Items marked thus † are available on our Factory Exchange Unit Scheme



CHASSIS FRAME

Part No.	Description	Plate No.	No. per Unit	Remarks
CHASSIS FRAME ASSEMBLY <i>(continued)</i>				
HB0906	Bolt	N22	6	
WL0209	Washer, lock	N23	6	
HN2009	Nut	N24	4	
109281	Bracket assembly, rebound stop	N25	2	
HB0828	Bolt	N26	4	
TN3208	Nut, nyloc	N27	4	
WP0008	Washer, plain	N28	4	
128055	Cross-member, rear engine mounting	N29	1	
HU0905	Screw, set	N30	4	
WL0209	Washer, lock	N31	4	
123939	Bracket, extension, front body mounting	N32	2	
HU0805	Screw, set	N33	8	} Fitted up to Commission No.
WL0208	Washer, lock	N34	8	
123942	Bracket, extension, intermediate body mounting	N35	2	} CT5897
HU0805	Screw, set	N36	8	} only
WL0208	Washer, lock	N37	8	} Fitted from Commission No. CT5898 and future
132933	Bracket, exhaust mounting, centre		1	
RADIATOR SKID SHIELD ASSEMBLY				
301644	Strip assembly, side	N38	1	} Fitted to Special Order only
132074	Strip assembly, rear	N39	2	
132076	Screw, set	N40	1	
HU0706	Washer, lock	N41	8	
WL0207	Screw, set	N42	8	

Note:—Items marked thus † are available on our Factory Exchange Unit Scheme

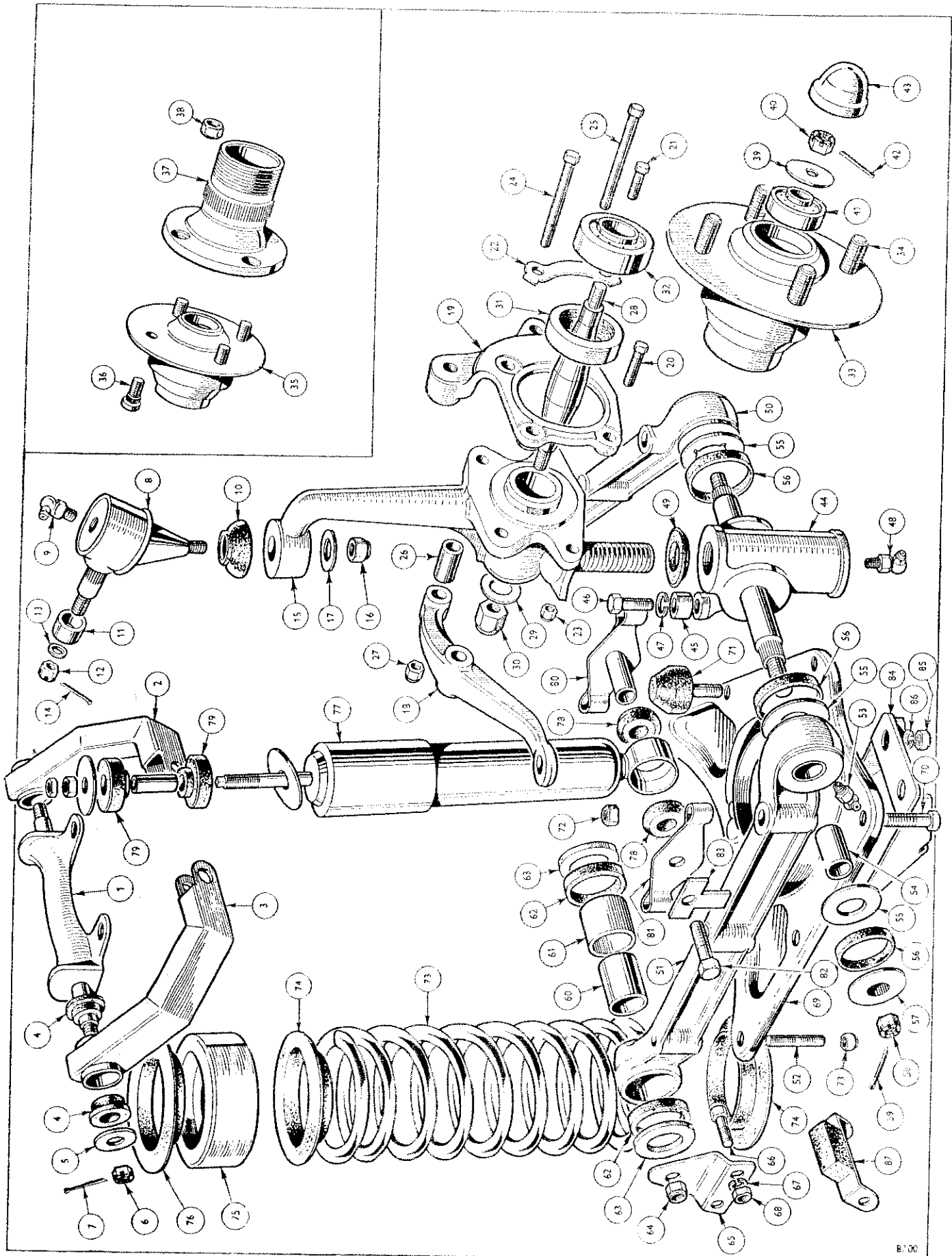


PLATE P

FRONT SUSPENSION

Part No.	Description	Plate No.	No. per Unit	Remarks
509829	FRONT SUSPENSION UNIT		1	Fitted up to Commission No. CT4689 (wire wheels) and CT4387 (disc wheels) only
509830	Bolt on Disc Wheels	{ R.H. L.H.	1	
509831	FRONT SUSPENSION UNIT		1	
509832	Centre Lock Wire Wheels	{ R.H. L.H.	1	
511176	FRONT SUSPENSION UNIT		1	Fitted from Commission No. CT4690 up to CT6343 (wire wheels) and from CT4388 up to CT6389 (disc wheels) only
511177	Bolt on Disc Wheels	{ R.H. L.H.	1	
511178	FRONT SUSPENSION UNIT		1	
511179	Centre Lock Wire Wheels	{ R.H. L.H.	1	
511292	FRONT SUSPENSION UNIT		1	Fitted from Commission No. CT6344 and future (wire wheels) and from CT6390 and future (disc wheels)
511293	Bolt on Disc Wheels	{ R.H. L.H.	1	
511294	FRONT SUSPENSION UNIT		1	
511295	Centre Lock, Wire Wheels	{ R.H. L.H.	1	
<p>The above units comprise: Upper Wishbone, Top Inner Fulcrum, Vertical Link, Stub Axle, Hub, Brake Unit, Tie Rod Lever and Bottom Trunnion</p>				
200659	UPPER FULCRUM PIN—INNER	P1	2	Top inner fulcrum pin to chassis frame
HU0908	Screw, set		4	
HB0914	Bolt		4	
WP0009	Washer, plain		4	
WL0209	Washer, spring		4	
HN2009	Nut		8	
132633	UPPER WISHBONE ARM ASSEMBLY FRONT R.H. AND REAR L.H.	P2	2	Fitted up to Commission No. CT6343 (wire wheels) and CT6389 (disc wheels) only
132632	UPPER WISHBONE ARM ASSEMBLY FRONT L.H. AND REAR R.H.	P3	2	
133504	UPPER WISHBONE ARM ASSEMBLY —FRONT		2	Fitted from Commission No. CT6344 (wire wheels) and CT6390 (disc wheels) and future
133507	UPPER WISHBONE ARM ASSEMBLY —REAR		2	
102228	Bush, rubber	P4	8	Wishbone to fulcrum pin
WM0069	Washer, plain	P5	4	
LN2210	Nut, slotted	P6	4	
PC0010	Pin, cotter	P7	4	

Note:—Items marked thus † are available on our Factory Exchange Unit Scheme

FRONT SUSPENSION

Part No.	Description	Plate No.	No. per Unit	Remarks	
UPPER WISHBONE ARM ASSEMBLY					
<i>(continued)</i>					
200771	Ball joint assembly, upper wishbone	{	1	} Fitted up to Commission No. CT6343 (wire wheels) and CT6389 (disc wheels) only	
200772			1		
56934	Nipple , grease, in top of ball joint	P8	2		
100726	Gaiter , between ball joint and vertical link	P9	2		
100697	} Ball assembly to upper wishbone	P10	2		
61302		Piece , distance	P11		2
WP0025		Nut , slotted	P12		2
PC0012		Washer , plain	P13		2
	Pin , cotter	P14	2		
109255	Ball joint assembly, upper wishbone		2		Fitted from Commission No. CT6344 (wire wheels) and CT6390 (disc wheels) and future
100726	Gaiter , between ball joint and vertical link		2	Fitted from Commission No. CT6344 up to Commission No. CT7219 (wire wheels) and from CT6390 to CT7218 (disc wheels) only	
134316	Gaiter , between ball joint and vertical link		2	Fitted from Commission No. CT7219 and future	
501024	Nipple , grease, in top of ball joint		2	} Fitted from Commission No. CT6344 (wire wheels) and CT6390 (disc wheels) and future	
112347	Bolt		4		
YN2909	Nut , nyloc		4		
WP0045	Washer , plain		4		

Note:—Items marked thus † are available on our Factory Exchange Unit Scheme

FRONT SUSPENSION

Part No.	Description	Plate No.	No. per Unit	Remarks
201803	VERTICAL LINK	P15	2	
YN2911	Nut, nyloc, thin } Vertical link	P16	2	
WP0011	Washer, plain } to ball joint	P17	2	
127830	Lever, tie rod	R.H.	1	} Fitted up to Commission No. CT6343 (wire wheels) and CT6389 (disc wheels) only
127831		L.H.	1	
129836	Lever, tie rod	R.H.	1	
129837		L.H.	1	
134542	Lever, tie rod	R.H.	1	} Fitted from Commission No. CT16463 (wire wheels) and CT16350 (disc wheels) and future
134541		L.H.	1	
113124	Plate, mounting, disc brake caliper	R.H.	1	} Fitted up to Commission No. CT4689 (wire wheels) and CT4387 (disc wheels) only
113123		L.H.	1	
133499	Plate, mounting, disc brake caliper	R.H.	1	} Fitted from Commission No. CT4690 (wire wheels) and CT4388 (disc wheels) and future
133500		L.H.	1	
118324	Bolt } Mounting plates	P20	2	
113144	Bolt } to	P21	2	
106641	Washer, tab } vertical	P22	4	
YN2909	Nut, nyloc } link	P23	2	
113143	Bolt } Tie rod	P24	2	
112032	Bolt } levers and	P25	2	
107106	Piece, distance } mounting plates	P26	4	
YN2909	Nut, nyloc } to vertical link	P27	4	
115763	STUB AXLE	P28	2	
WP0011	Washer, plain } Stub axle to	P29	2	
TN3211	Nut, thin, nyloc } vertical link	P30	2	
107194	Seal, oil assembly	P31	2	
100573	Bearing, inner, front hub	P32	2	
114284	Hub assembly, front	P33	2	} For use with disc wheels only
114282	Stud, wheel	P34	8	
114283	Hub assembly, front	P35	2	
114281	Stud, wheel	P36	8	} For use with wire wheels only
202446	Extension hub, R.H.		1	
202447	Extension hub, L.H.	P37	1	
110366	Nut, extension to hub	P38	8	
100536	Bearing, outer	P39	2	
102690	Washer, 'D' } Front hub	P40	2	
LN2211	Nut, slotted } to	P41	2	
PC0020	Pin, cotter } stub axle	P42	2	
102689	Cap, grease retaining	P43	2	

Note:—Items marked thus † are available on our Factory Exchange Unit Scheme

FRONT SUSPENSION

Part No.	Description	Plate No.	No. per Unit	Remarks
101557	BOTTOM TRUNNION ASSEMBLY	P44	2	Fitted up to Commission No. CT6343 (wire wheels) and CT6389 (disc wheels) only
133838	BOTTOM TRUNNION ASSEMBLY {		1	Fitted from Commission No. CT6344 (wire wheels) and CT6390 (disc wheels) and future
		R.H.		
133839			1	
101407	Stop , steering lock	P45	2	
HU0806	Set , screw, stop to trunnion	P46	2	
WL0208	Washer , lock	P47	2	
56934	Nipple , grease	P48	2	
58224	Seal , oil, between trunnion and vertical link	P49	2	Fitted up to Commission No. CT7218 only
134318	Seal , oil, between trunnion and vertical link		2	Fitted from Commission No. CT7219 and future
106577	LOWER WISHBONE ARM ASSEMBLY FRONT R.H. AND REAR L.H.	P50	2	
106578	LOWER WISHBONE ARM ASSEMBLY FRONT L.H. AND REAR R.H.	P51	2	
107350	Stud , spring, pan attachment	P52	4	
56934	Nipple , grease, wishbone arm	P53	4	
101615	Bush , wishbone arm	P54	4	
101533	Washer , thrust	P55	8	
115702	Seal , grease	P56	8	Fitted up to Commission No. CT7218 only
115701	Washer , lock	P57	4	
134319	Seal , grease		8	Fitted from Commission No. CT7219 and future
134320	Washer , lock		4	
134293	Shim , grease seal		16	
LN2210	Nut , slotted	P58	4	
PC0010	Pin , cotter	P59	4	
110695	Bearing , inner, steel	P60	4	
110696	Bearing , inner, nylon	P61	4	
115702	Seal , grease	P62	8	
110697	Washer , nylon	P63	8	
TN3210	Nut , nyloc	P64	4	
107430	Bracket , lower fulcrum support, outer	P65	4	
HU0805	Setscrew	P66	8	
WL0208	Washer , lock	P67	8	
HN2008	Nut	P68	8	
200193	LOWER SPRING PAN ASSEMBLY	P69	2	
HB0916	Bolt	P70	6	
106845	Bumper , rubber	P71	2	
YN2909	Nut , nyloc	P72	12	
WP0020	Washer , plain		12	
WP0136	Washer , plain		12	

Note:—Items marked thus † are available on our Factory Exchange Unit Scheme

FRONT SUSPENSION

Part No.	Description	Plate No.	No. per Unit	Remarks
201898	FRONT ROAD SPRING (Coil)	P73	2	Fitted up to Commission No. CT29984 only
210903	FRONT ROAD SPRING (Coil)		2	Fitted from Commission No. CT29985 and future
	<i>Note.</i> 210903 may be used for servicing TR2/3 models either singly or in pairs provided packing piece 107682 and top rubber washer 100751 are removed.			
201899	FRONT ROAD SPRING (Coil)		2	For competition use only Fitted up to Commission No. CT29984 only
100751	Washer, rubber, both ends of spring	P74	4	
107682	Piece, packing, between spring and abutment	P75	2	
100751	Washer, rubber, over packing piece	P76	2	
130537	FRONT SHOCK ABSORBER (All Countries)	P77	2	Fitted up to Commission No. CT3433 only
113624	FRONT SHOCK ABSORBER (All Countries except U.S.A.)		2	Fitted from Commission No. CT3434 up to CT11478 only
130537	FRONT SHOCK ABSORBER (U.S.A. only)		2	Fitted from Commission No. CT3434 up to CT11478 only
134101	FRONT SHOCK ABSORBER (All Countries)		2	Fitted from Commission No. CT11479 and future
113556	FRONT SHOCK ABSORBER		2	For competition use only
133150	FRONT SHOCK ABSORBER (Teflo)		2	Special Order only
113624	FRONT SHOCK ABSORBER (High speed driving) (All Countries)		2	Fitted up to Commission No. CT3433 only
113624	FRONT SHOCK ABSORBER (High speed driving) (U.S.A. only)		2	Fitted from Commission No. CT3434 and future
121867	Rubber, mounting { Lower	P78	4	
121868	Upper	P79	4	
106841	Pin, fulcrum and bracket assembly	P80	2	
106843	Bracket, shock absorber	P81	2	
101951	Screw, set } Shock absorber	P82	2	
101229	Washer, tab } to fulcrum pin	P83	2	
106844	Bracket, rebound abutment	P84	2	
HN2009	Nut } Fulcrum and abutment	P85	8	
WL0209	Washer, lock } brackets to spring pan	P86	8	
100175	REBOUND RUBBER ASSEMBLY	P87	1	
HU0805	Screw, set } Rebound rubber		4	
HN2008	Nut } to		4	
WL0208	Washer, lock } chassis frame		4	

Note:—Items marked thus † are available on our Factory Exchange Unit Schema

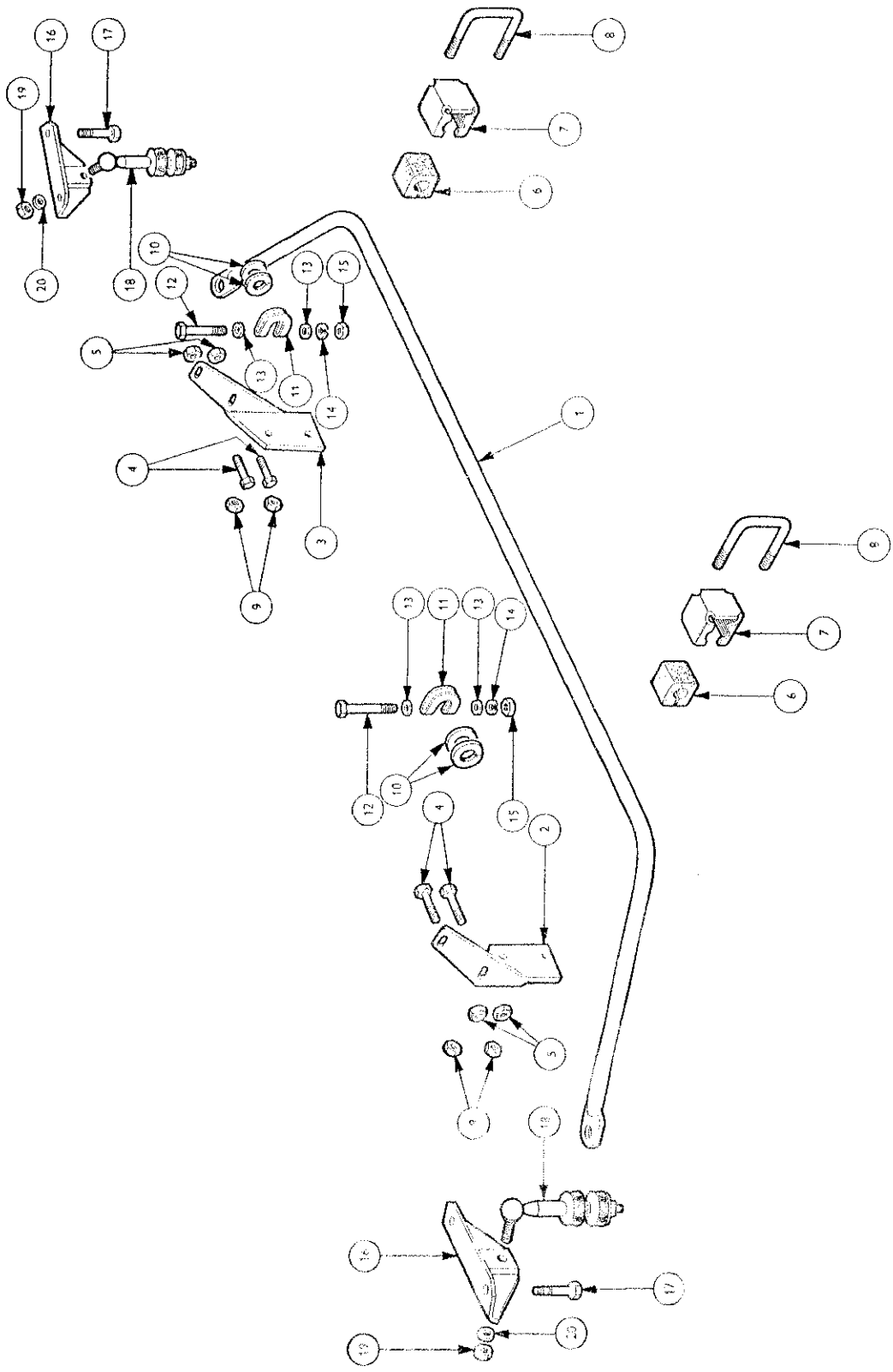


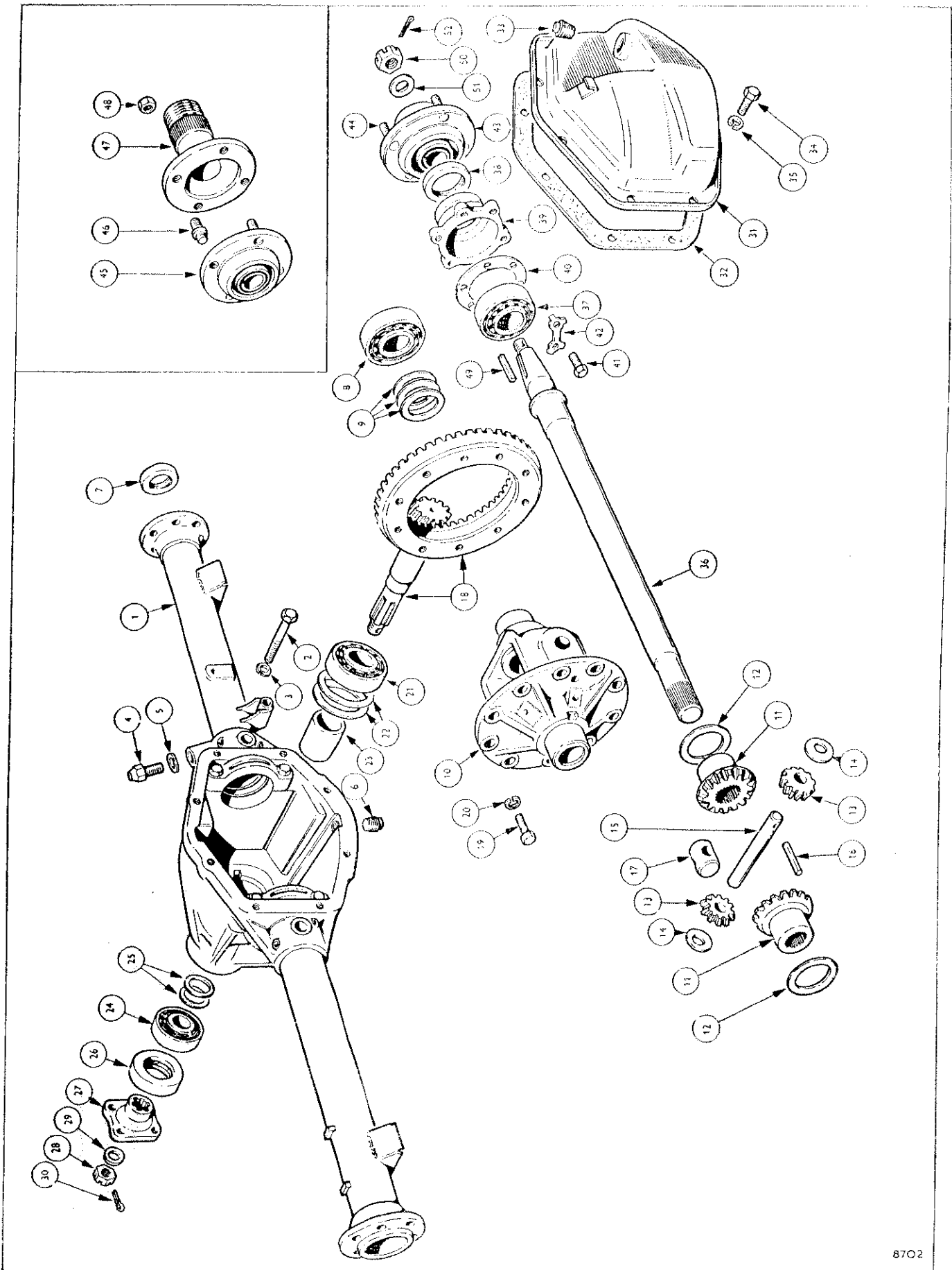
PLATE Q

ANTI-ROLL BAR

Part No.	Description	Plate No.	No. per Unit	Remarks
510584	ANTI-ROLL BAR KIT		1	Fitted to Special Order only
208571	Bar, anti-roll	Q1	1	
131964	Bracket, mounting	Q2	1	
131963		Q3	1	
HU0907	Screw, set } Mounting brackets	Q4	4	
YN2909	Nut, nyloc } to bumper brackets	Q5	4	
121791	Block, mounting, rubber } Anti-roll bar	Q6	2	
121792	Retainer, assembly, mounting block } to	Q7	2	
YN2908	Nut, nyloc } mounting brackets	Q9	4	
122231	Washer, locating	Q10	4	
122230	Clip, locating	Q11	2	
HB0714	Bolt	Q12	2	
WP0007	Washer, plain } Locating washer	Q13	4	
WL0207	Washer, lock } attachment	Q14	2	
HN2007	Nut	Q15	2	
TN3209	Nut, nyloc, thin		2	
131479	Bracket, attachment, assembly	Q16	2	
121797	Link assembly	Q18	2	
YN2910	Nut, nyloc } Link to	Q19	2	
WP0046	Washer, plain } bolt	Q20	2	

8

Note:—Items marked thus † are available on our Factory Exchange Unit Scheme



8702

TRIUMPH SPORTS CAR 20 TR4

PLATE R

REAR AXLE

Part No.	Description	Plate No.	No. per Unit	Remarks	
510922	† REAR AXLE ASSEMBLY (3.7 to 1 Ratio) (Less Half Shafts and Brake Units)		1		
510923	REAR AXLE ASSEMBLY (4.1 to 1 Ratio) (Less Half Shafts and Brake Units)		1		
304854	AXLE CASING ASSEMBLY	R1	1		
100878	Screw, set } Bearing cap	R2	4		
WL0209	Washer, lock } to casing	R3	4		
56894	Breather } Fitted in	R4	1		
56895	Washer, fibre } housing	R5	1		
114774	Plug, drain	R6	1		
113193	Bracket, compensator and boss sub assembly		1		
125362	Nipple, grease, compensator bracket		1		
58800	Seal, oil, axle tube ends	R7	2		
110515	Bearing, between differential unit and casing	R8	2		
100894	Shim, bearing adjusting	R9	as req'd.		
100895		R9	as req'd.		
100896		R9	as req'd.		
	DIFFERENTIAL UNIT ASSEMBLY				
302155	Casing, differential	R10	1		
113187	Gear, side, differential	R11	2		
102801	Washer, thrust, differential side gear	R12	2		
113188	Gear, pinion, differential	R13	2		
56793	Washer, thrust, differential gear	R14	2	Alternative to 139951-139956	
139951	Washer, thrust differential pinion	R14	as req'd.	Fitted from Rear Axle No. CT33066 and future. Alternative to 56793	
139952					.057" / .059"
139953					.061" / .063"
139954					.065" / .067"
139955					.069" / .071"
139956	.073" / .075"				
139956	.077" / .079"				
100844	Pin, cross, pinion gear	R15	1		
111215	Pin, locating, cross pin in differential casing	R16	1		
109566	Button, thrust, on cross pin	R17	1		
502127	Crown wheel and pinion (3.7 to 1 ratio)	R18	1 pair		
505014	Crown wheel and pinion (4.1 to 1 ratio)		1 pair		
110737	Bolt	R19	10		
118977	Washer, lock } Crown wheel to differential casing	R20	10		
100897	Bearing, pinion head	R21	1		
100965	Shim, bearing adjustment	R22	as req'd.		
100966		R22	as req'd.		
100967		R22	as req'd.		
100846	Spacer, between bearings	R23	1		
100422	Bearing, pinion shank	R24	1		
100562	Shim, bearing adjustment	R25	as req'd.		
100563		R25	as req'd.		
100564		R25	as req'd.		
100898	Seal, oil, on pinion	R26	1		
107947	Flange, pinion	R27	1		
112635	Nut, slotted, flange to pinion	R28	1		
115990	Washer, under nut	R29	1		
PC0045	Pin, cotter, locking nut	R30	1		

Note:—Items marked thus † are available on our Factory Exchange Unit Scheme



REAR AXLE

Part No.	Description	Plate No.	No. per Unit	Remarks					
203660	REAR COVER ASSEMBLY	R31	1						
101359	Washer , joint, between cover and casing	R32	1						
114774	Plug , oil filler	R33	1						
HU0805	Screw , set, cover to casing	R34	8						
WL0208	Washer , lock	R35	8						
207613	REAR AXLE SHAFT	R36	2						
110237	Bearing , rear hub	R37	2						
58801	Seal , oil	R38	2						
58773	Housing , bearing	R39	2						
36583	<table style="display: inline-table; vertical-align: middle;"> <tr> <td rowspan="4" style="font-size: 3em; vertical-align: middle;">}</td> <td style="padding-left: 5px;">.006"</td> </tr> <tr> <td style="padding-left: 5px;">.008"</td> </tr> <tr> <td style="padding-left: 5px;">$\frac{1}{8}$"</td> </tr> <tr> <td style="padding-left: 5px;">$\frac{1}{2}$"</td> </tr> </table>	}	.006"	.008"	$\frac{1}{8}$ "	$\frac{1}{2}$ "	R40	as req'd.	
}			.006"						
			.008"						
			$\frac{1}{8}$ "						
	$\frac{1}{2}$ "								
38264	<table style="display: inline-table; vertical-align: middle;"> <tr> <td rowspan="4" style="font-size: 3em; vertical-align: middle;">}</td> <td style="padding-left: 5px;">.006"</td> </tr> <tr> <td style="padding-left: 5px;">.008"</td> </tr> <tr> <td style="padding-left: 5px;">$\frac{1}{8}$"</td> </tr> <tr> <td style="padding-left: 5px;">$\frac{1}{2}$"</td> </tr> </table>	}	.006"	.008"	$\frac{1}{8}$ "	$\frac{1}{2}$ "	R40	as req'd.	
}			.006"						
			.008"						
			$\frac{1}{8}$ "						
	$\frac{1}{2}$ "								
36582	<table style="display: inline-table; vertical-align: middle;"> <tr> <td rowspan="4" style="font-size: 3em; vertical-align: middle;">}</td> <td style="padding-left: 5px;">.006"</td> </tr> <tr> <td style="padding-left: 5px;">.008"</td> </tr> <tr> <td style="padding-left: 5px;">$\frac{1}{8}$"</td> </tr> <tr> <td style="padding-left: 5px;">$\frac{1}{2}$"</td> </tr> </table>	}	.006"	.008"	$\frac{1}{8}$ "	$\frac{1}{2}$ "	R40	as req'd.	
}			.006"						
			.008"						
			$\frac{1}{8}$ "						
	$\frac{1}{2}$ "								
36581	<table style="display: inline-table; vertical-align: middle;"> <tr> <td rowspan="4" style="font-size: 3em; vertical-align: middle;">}</td> <td style="padding-left: 5px;">.006"</td> </tr> <tr> <td style="padding-left: 5px;">.008"</td> </tr> <tr> <td style="padding-left: 5px;">$\frac{1}{8}$"</td> </tr> <tr> <td style="padding-left: 5px;">$\frac{1}{2}$"</td> </tr> </table>	}	.006"	.008"	$\frac{1}{8}$ "	$\frac{1}{2}$ "	R40	as req'd.	
}			.006"						
			.008"						
			$\frac{1}{8}$ "						
	$\frac{1}{2}$ "								
112653	<table style="display: inline-table; vertical-align: middle;"> <tr> <td rowspan="2" style="font-size: 3em; vertical-align: middle;">}</td> <td style="padding-left: 5px;">Bearing housing and</td> </tr> <tr> <td style="padding-left: 5px;">brake back plate to casing</td> </tr> </table>	}	Bearing housing and	brake back plate to casing	R41	12			
}			Bearing housing and						
	brake back plate to casing								
36567	<table style="display: inline-table; vertical-align: middle;"> <tr> <td rowspan="2" style="font-size: 3em; vertical-align: middle;">}</td> <td style="padding-left: 5px;">Bearing housing and</td> </tr> <tr> <td style="padding-left: 5px;">brake back plate to casing</td> </tr> </table>	}	Bearing housing and	brake back plate to casing	R42	6			
}			Bearing housing and						
	brake back plate to casing								
113175	Hub , assembly, disc wheels	R43	2						
100869	Stud , wheel hub	R44	8						
113173	Hub assembly (Wire wheels)	R45	2						
110365	Stud , rear hub	R46	8						
202446	<table style="display: inline-table; vertical-align: middle;"> <tr> <td rowspan="2" style="font-size: 3em; vertical-align: middle;">}</td> <td style="padding-left: 5px;">R.H.</td> </tr> <tr> <td style="padding-left: 5px;">L.H.</td> </tr> </table>	}	R.H.	L.H.	R47	1			
}			R.H.						
	L.H.								
202447	<table style="display: inline-table; vertical-align: middle;"> <tr> <td rowspan="2" style="font-size: 3em; vertical-align: middle;">}</td> <td style="padding-left: 5px;">R.H.</td> </tr> <tr> <td style="padding-left: 5px;">L.H.</td> </tr> </table>	}	R.H.	L.H.	R47	1			
}			R.H.						
	L.H.								
110366	Nut , extension to hub	R48	8						
110621	<table style="display: inline-table; vertical-align: middle;"> <tr> <td rowspan="4" style="font-size: 3em; vertical-align: middle;">}</td> <td style="padding-left: 5px;">Hub</td> </tr> <tr> <td style="padding-left: 5px;">to</td> </tr> <tr> <td style="padding-left: 5px;">axle</td> </tr> <tr> <td style="padding-left: 5px;">shaft</td> </tr> </table>	}	Hub	to	axle	shaft	R49	2	
}			Hub						
			to						
			axle						
	shaft								
58784	<table style="display: inline-table; vertical-align: middle;"> <tr> <td rowspan="4" style="font-size: 3em; vertical-align: middle;">}</td> <td style="padding-left: 5px;">Hub</td> </tr> <tr> <td style="padding-left: 5px;">to</td> </tr> <tr> <td style="padding-left: 5px;">axle</td> </tr> <tr> <td style="padding-left: 5px;">shaft</td> </tr> </table>	}	Hub	to	axle	shaft	R50	2	
}			Hub						
			to						
			axle						
	shaft								
WP0026	<table style="display: inline-table; vertical-align: middle;"> <tr> <td rowspan="4" style="font-size: 3em; vertical-align: middle;">}</td> <td style="padding-left: 5px;">Hub</td> </tr> <tr> <td style="padding-left: 5px;">to</td> </tr> <tr> <td style="padding-left: 5px;">axle</td> </tr> <tr> <td style="padding-left: 5px;">shaft</td> </tr> </table>	}	Hub	to	axle	shaft	R51	2	
}			Hub						
			to						
			axle						
	shaft								
PC0013	<table style="display: inline-table; vertical-align: middle;"> <tr> <td rowspan="4" style="font-size: 3em; vertical-align: middle;">}</td> <td style="padding-left: 5px;">Hub</td> </tr> <tr> <td style="padding-left: 5px;">to</td> </tr> <tr> <td style="padding-left: 5px;">axle</td> </tr> <tr> <td style="padding-left: 5px;">shaft</td> </tr> </table>	}	Hub	to	axle	shaft	R52	2	
}			Hub						
			to						
			axle						
	shaft								

Note:—Items marked thus † are available on our Factory Exchange Unit Scheme

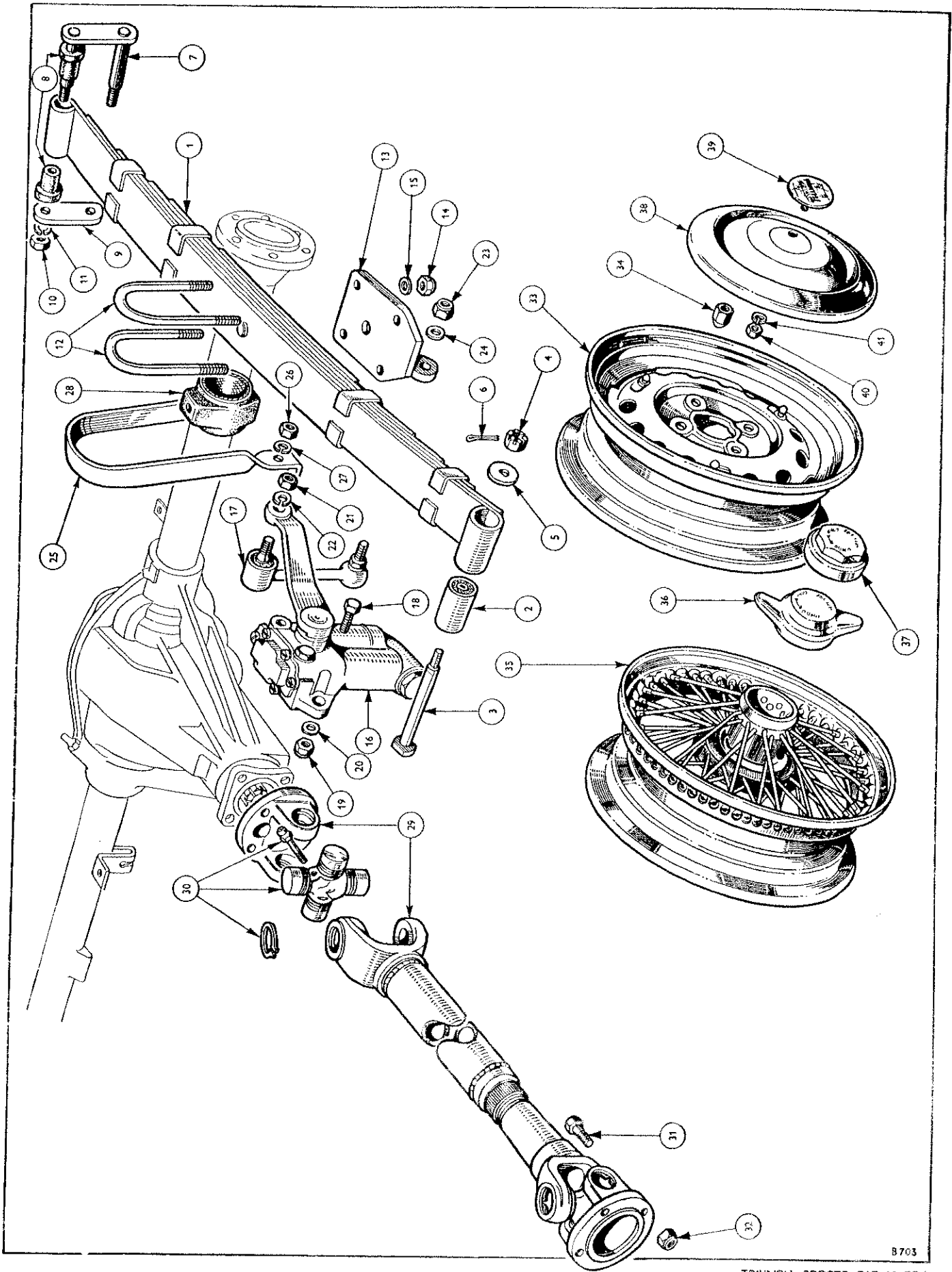


PLATE S

REAR SUSPENSION

Part No.	Description	Plate No.	No. per Unit	Remarks
304008	REAR ROAD SPRING		2	For competition use only
208636	REAR ROAD SPRING (Driver's Side)	S1	1	} Fitted up to Commission No. CT2828 only
208637	REAR ROAD SPRING (Passenger's Side)	S1	1	
208636/M 208637/M	Leaf, main (Driver's side) Leaf, main (Passenger's side)		1 1	
208636 208636/M	REAR ROAD SPRING } Leaf, main } Right hand steering only		2 2	} Fitted from Commission No. CT2829 up to CT23382 only
208636	REAR ROAD SPRING (Driver's Side) }		1	
208637	REAR ROAD SPRING (Passenger's Side) }		1	
208636/M 208637/M	Leaf, main (Driver's side) Leaf, main (Passenger's side)		1 1	} Left hand steering only
209964 209964/M	REAR ROAD SPRING Leaf, main		2 2	
107769	Bush, silentbloc, rear spring front eye	S2	2	
106231	Bolt, rear spring, front attachment	S3	2	
LN2211	Nut, slotted, securing bolt	S4	2	
102690	Washer, 'D', between nut and spring	S5	2	
PC0010	Pin, split, locking nut	S6	2	
107535	Plate, shackle and pin assembly, rear attachment	S7	2	
104953	Bush, rubber, on shackle pin	S8	8	
107534	Plate, shackle	S9	2	
HN2009	Nut, shackle plate attachment	S10	4	
WL0209	Washer, spring, under nut	S11	4	
113194	Bolt, 'U', road spring to rear axle	S12	4	} Fitted up to Commission No. CT23382
136865	Bolt, 'U', road spring to rear axle		4	
137634	Piece, distance, assembly { R.H. L.H.		1	} Fitted from Commission No. CT23383 and future
137635			1	
136932	Dowel, distance piece		2	} Fitted up to Commission No. CT23382
113191	Plate assembly, spring { R.H. L.H.		1	
113181			1	
139489	Plate, rear spring	S13	2	} Fitted from Commission No. CT23383
YN2909	Nut, nyloc } 'U' bolt to	S14	8	
WP0009	Washer, plain } spring plate	S15	8	

10

Note:—Items marked thus † are available on our Factory Exchange Unit Scheme

REAR SUSPENSION

Part No.	Description	Plate No.	No. per Unit	Remarks
208205	†REAR SHOCK ABSORBER R.H. } †REAR SHOCK ABSORBER L.H. }	All Countries	1	} Fitted up to Commission No. CT3433 only
208206			1	
202388	†REAR SHOCK ABSORBER R.H. } †REAR SHOCK ABSORBER L.H. }	All Countries except U.S.A.	1	} Fitted from Commission No. CT3434 up to CT11478 only
202389			1	
208205	†REAR SHOCK ABSORBER R.H. } †REAR SHOCK ABSORBER L.H. }	U.S.A. only	1	} Fitted from Commission No. CT3434 up to CT11478 only
208206			1	
209495	†REAR SHOCK ABSORBER R.H. } †REAR SHOCK ABSORBER L.H. }	All Countries	1	} Fitted from Commission No. CT11479 and future
209494			1	
202388	†REAR SHOCK ABSORBER R.H. } †REAR SHOCK ABSORBER L.H. }	High Speed Driving all Countries	1	} Fitted up to Commission No. CT3433 only
202389			1	
202388	†REAR SHOCK ABSORBER R.H. } †REAR SHOCK ABSORBER L.H. }	High Speed Driving U.S.A. only	1	} Fitted from Commission No. CT3434 and future
202389			1	
202390	†REAR SHOCK ABSORBER R.H.		1	} For competition use only
202391	†REAR SHOCK ABSORBER L.H.		1	
105925	Link assembly, rear shock absorber	S17	2	
WP0036	Screw, set	S18	4	
TN3209	Nut, nyloc	S19	4	
WP0036	Washer, plain	S20	4	
HN2009	Nut	S21	2	
WL0209	Washer, lock	S22	2	
TN3210	Nut, nyloc	S23	2	
WP0010	Washer, plain	S24	2	
107476	CHECK STRAP	S25	2	} Fitted up to Commission No. CT23382 only
JN2109	Nut	S26	4	
WL0209	Washer, lock	S27	4	
137338	CHECK STRAP		2	} Fitted from Commission No. CT23383 and future
137629	Screw, set		4	
YN2908	Nut, nyloc		4	
115456	REAR AXLE BUFFER	S28	2	
47263	Wire, binding buffer to axle		as req'd.	

Note:—Items marked thus † are available on our **Factory Exchange Unit Scheme**

PROPELLOR SHAFT AND ROAD WHEELS

Part No.	Description	Plate No.	No. per Unit	Remarks		
208075	PROPELLOR SHAFT (B.R.D.)	S29	1			
52406	Unit package Comprising: Universal Joint, Needle Roller, Roller Caps, Circlips and Grease Nipples	S30	2			
501024	Nipple, grease, sleeve yoke		1			
53920	Nipple, grease, universal joint		2			
107960	Bolt	S31	8	} Propellor shaft attachment		
TN3209	Nut, nyloc	S32	8			
302262	DISC—ROAD WHEEL	S33	5			
109586	Nut, road wheel attachment	S34	16			
137531	Weight, wheel balance			as req'd.		
CENTRE LOCK WIRE WHEELS						
506168	Bright chrome	}	48 spoke	S35	5	
506172			60 spoke		5	
506167	Dull chrome	}	48 spoke	S35	5	
506171			60 spoke		5	
506166	Alum finish	}	48 spoke	S35	5	
506170			60 spoke		5	
506165	Lacquer finish	}	48 spoke	S35	5	
506169			60 spoke		5	
502648	Spoke	}	Outer		16	} 48 spoke wheel only
502649			Inner		32	
512161	Spoke	}	Outer		20	} 60 spoke wheel only
512162			Inner		40	
502650	Nipple, spoke				48	
110363	Plug, spring, in brake drum				4	
502064	Weight, wheel balance					as req'd.
107948	Nut, wheel, centre lock	}	R.H.	S36	2	
107949			L.H.		2	
108450	Mallet, hub, nut				1	
121295	Nut, wheel, centre lock	}	R.H.	S37	2	} Germany and Switzerland only
121296			L.H.		2	
121297	Spanner, wheel nut (for use with wheel nut numbers 121295/6)				1	
201870	NAVE PLATE	S38	4			
113256	Medallion	S39	4			
HN2005	Nut	S40	4	} Medallion to nave plate		
WL0205	Washer, lock	S41	4			

Note:—Items marked thus † are available on our Factory Exchange Unit Scheme

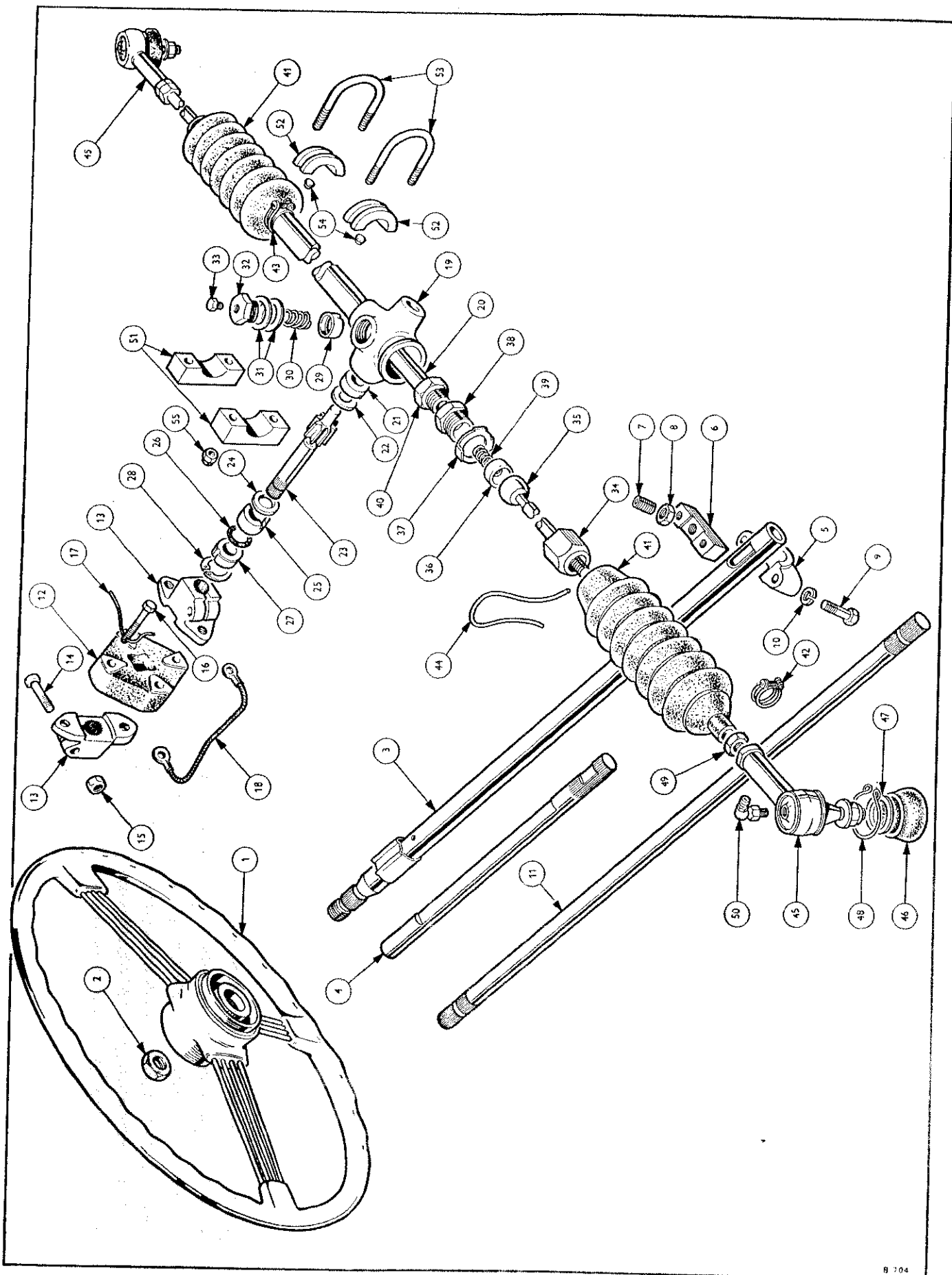


PLATE T

STEERING

Part No.	Description	Plate No.	No. per Unit	Remarks
304988	STEERING WHEEL	T1	1	
105438	Nut , steering wheel	T2	1	
131503	STEERING COLUMN ASSEMBLY, UPPER OUTER	T3	1	Fitted up to Commission No. CT only
122525	Clip , trafficator cancelling		1	Note. For all replacements use 141627 Fitted up to Commission No. CT only
141627	STEERING COLUMN ASSEMBLY, UPPER		1	} Fitted from Commission No. CT and future
140549	Clip , trafficator cancelling		1	
				Note. Cancelling clip No. 122525 must be fitted to column No. 141627 if trafficator switch No. 129891 is fitted.
141629	STEERING COLUMN ASSEMBLY, UPPER LOCKING		1	Special Orders
129094	STEERING COLUMN, UPPER INNER	T4	1	
122669	Clamp , steering column	T5	1	
125782	Plate , locating	T6	1	
125781	Screw , locating	T7	1	
JN2110	Nut , lock	T8	1	} Clamp to steering column
HB0710	Bolt	T9	2	
WL0207	Washer , lock	T10	2	
128838	STEERING COLUMN, LOWER	T11	1	
130044	FLEXIBLE COUPLING	T12	2	
129098	Adaptor , coupling to steering column and unit		4	} Fitted up to Comm. No. CT only
109438	Bolt , adaptor to column and unit		4	
131446	Adaptor , coupling to steering column and unit	T13	4	} Fitted from Comm. No. CT and future
109438	Bolt	T14	4	
TN3207	Nut , nyloc	T15	4	
128323	Bolt	T16	8	
30047	Wire , locking	T17	8	
130581	Strip , conductor, under bolts securing couplings to adaptors	T18	2	

12

Note:—Items marked thus † are available on our Factory Exchange Unit Scheme

STEERING

Part No.	Description	Plate No.	No. per Unit	Remarks
305648	RACK AND PINION ASSEMBLY { R.H.S. L.H.S.		1	} Fitted up to Commission No. CT20063 L.H.S. and CT20265 R.H.S. only
305647			1	
305930	RACK AND PINION ASSEMBLY { R.H.S. STEERING L.H.S.		1	} Fitted from Commission No. CT20064 L.H.S. and CT20266 R.H.S. & future
305929			1	
305773	Rack and pinion body { R.H.S. L.H.S.	T19	1	} Fitted from Commission No. CT20064 and future
305774			1	
128002	Bush, rack tube		1	
128020	Cover, end		1	
208375	Rack	T20	1	
127997	Bush, pinion, lower	T21	1	
128000	Washer, thrust, lower	T22	1	
127995	Pinion { R.H. steering L.H. steering	T23	1	} Fitted up to Commission No. CT23476 R.H.S. and CT23918 L.H.S.
127996			1	
134689	Pinion { R.H. steering L.H. steering		1	} Fitted from Commission No. CT23477 R.H.S. & CT23919 L.H.S. and future
134688			1	
127999	Washer, thrust, upper	T24	1	
127998	Bush, pinion, upper	T25	1	
120941	Shim, pinion { .005" .010"		as req'd.	
130902			as req'd.	
128021	'O' ring	T26	1	
128001	Plug, end	T27	1	
128008	Pin		1	
509537	Circlip	T28	1	
120946	Plunger	T29	1	
126765	Spring	T30	1	
120959	Shim { .002" .004" .010"	T31	as req'd.	
120949		T31	as req'd.	
132055		T31	as req'd.	
132053	Cap, screwed	T32	1	
133103	Plug, grease	T33	1	
129961	INNER BALL JOINT ASSEMBLY		2	
128024	Housing, ball	T34	2	
128023	Pin, ball	T35	2	
120955	Socket, ball	T36	2	
120957	Washer, tab	T37	2	
130031	Shim { .002" .010"		as req'd.	} Ball pin to rack
130032			as req'd.	
129963	Sleeve, adaptor	T38	2	
120953	Spring	T39	2	
120968	Nut, lock	T40	2	
128004	Bellows, pinion end	T41	1	
120948	Bellows		1	
CS4009	Clip	T42	2	
CS4020	Clip	T43	1	
512781	Wire, binding, 18 swg	T44	as req'd.	} Bellows attachment

Note:—Items marked thus † are available on our Factory Exchange Unit Scheme

STEERING

Part No.	Description	Plate No.	No. per Unit	Remarks
130904	BALL JOINT ASSEMBLY OUTER	T45	2	
130903	Gaiter	T46	2	
112411	Retainer, gaiter	T47	2	
126577	Clip, gaiter	T48	2	
128022	Nut, lock, ball joint attachment	T49	2	
500098	Nipple, grease, tie rod end	T50	2	
131630	MOUNTING BLOCK, RACK AND PINION STEERING UNIT	T51	2	} Fitted up to Commission No. CT20063 L.H.S. and CT20264 R.H.S. only
122553	Ring, clamp } Rack	T52	2	
122554	Bolt, 'U' } and pinion	T53	2	
122623	Dowel } body	T54	2	
YN2908	Nut, nyloc } to frame	T55	4	
133872	MOUNTING RUBBER, RACK AND PINION STEERING UNIT		2	Fitted up to Commission No. CT29155 only
139386	MOUNTING RUBBER		2	Fitted from Commission No. CT29156 and future
136885	Clamp assembly } Rack and pinion		2	} Fitted from Commission No. CT20064 L.H.S. and CT20265 R.H.S. and future
134753	Plate, reinforcing } body		2	
YN2908	Nut, nyloc } to frame		4	

Note:—Items marked thus † are available on our Factory Exchange Unit Scheme

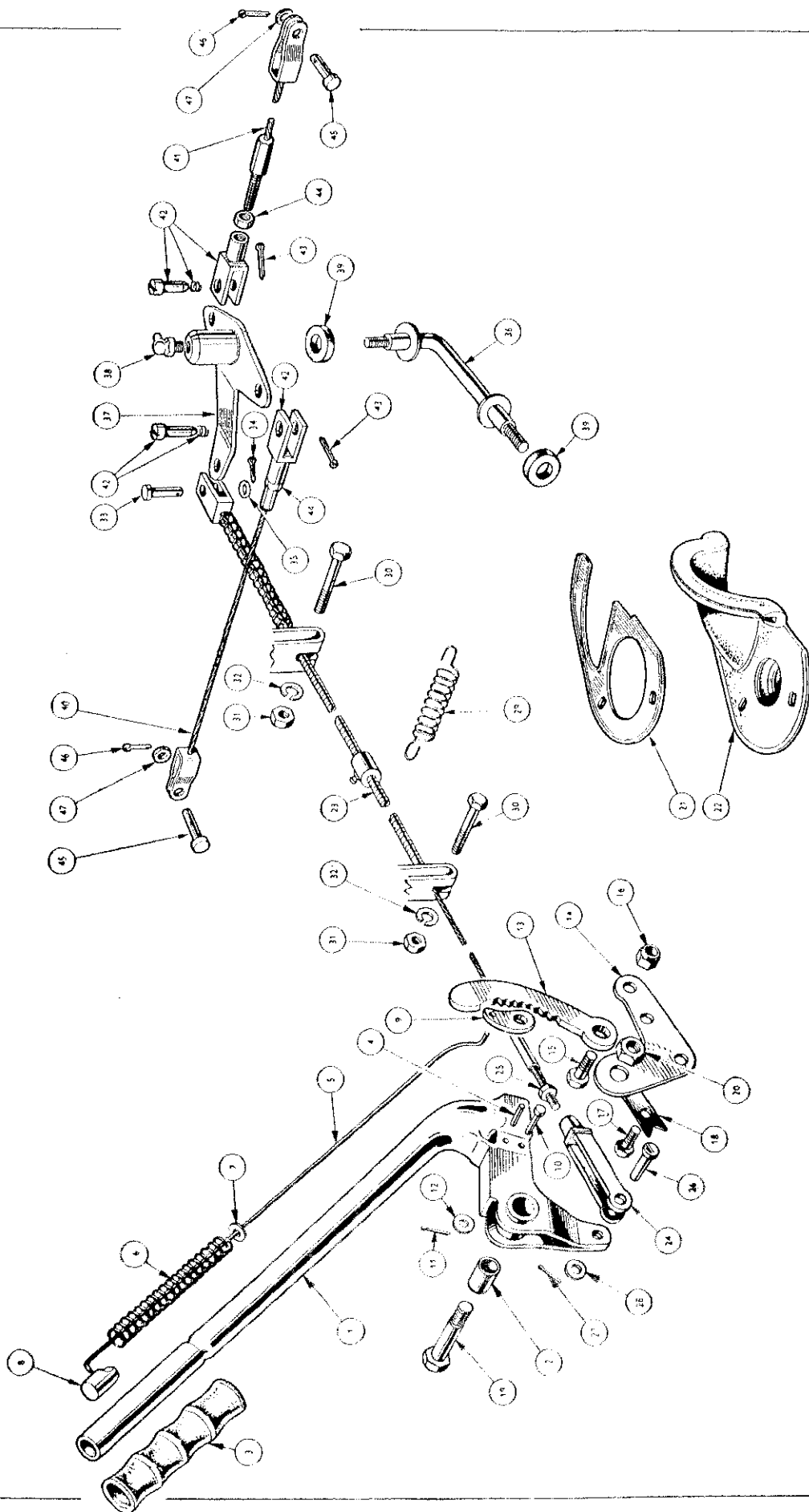


PLATE U

HANDBRAKE

Part No.	Description	Plate No.	No. per Unit	Remarks
208821	HANDBRAKE ASSEMBLY		1	Fitted up to Commission No. CT only
208455	HANDBRAKE ASSEMBLY		1	Fitted from Commission No. CT and future
107637	Lever assembly	U1	1	Fitted up to Commission No. CT only
131321	Lever assembly	U1	1	Fitted from Commission No. CT and future
107742	Bush, lever pivot	U2	1	
133613	Grip, handbrake (Black)	U3	1	
501026	Pin, mills, pawl stop	U4	1	
107633	Rod, push, pawl release	U5	1	
104740	Spring, pawl release	U6	1	
WP0034	Washer, plain, between spring and lever	U7	1	
107636	Button, push rod	U8	1	
107632	Pawl	U9	1	
PJ8507	Pin, joint, pawl to lever	U10	1	
PC0005	Pin, cotter, retaining joint pin	U11	1	
WP0005	Washer, plain, between cotter pin and lever	U12	1	
107631	Ratchet	U13	1	
107630	Plate, attachment	U14	1	
HU0807	Screw, set	U15	1	
TN3208	Nut, nyloc	U16	1	
HU0805	Screw, set	U17	2	
107953	Washer, tab	U18	1	Fitted up to Commission No. CT425 only
WL0208	Washer, lock		1	Fitted from Commission No. CT426 and future
107634	Bolt, pivot	U19	1	
TN3211	Nut, nyloc	U20	1	
610942	Plate, cover	U21	1	
705402	Grommet, handbrake	U22	1	
202069	CABLE ASSEMBLY, HANDBRAKE TO COMPENSATOR LEVER	U23	1	
101247	Fork-end, cable to handbrake lever	U24	1	
JN2108	Nut, jam, fork-end to cable	U25	1	
PJ8811	Pin, joint, fork-end to lever	U26	1	
PC0008	Pin, cotter, retaining pin joint	U27	1	
WP0008	Washer, plain, between cotter pin and fork-end	U28	1	
60274	Spring, between cable conduit and propshaft tunnel	U29	1	
HB0711	Bolt, cable to abutments on chassis frame and axle casing	U30	2	
HN2007	Nut, securing bolt	U31	2	
WL0207	Washer, spring, under nut	U32	2	
PJ8708	Pin, joint	U33	1	
PC0007	Pin, cotter	U34	1	
WP0007	Washer, plain	U35	1	

13

Note:—Items marked thus † are available on our Factory Exchange Unit Scheme

HANDBRAKE

Part No.	Description	Plate No.	No. per Unit	Remarks
COMPENSATOR ASSEMBLY				
100569	Bar assembly, compensator	U36	1	
114647	Lever assembly	U37	1	
500098	Nipple, grease, fitted in lever boss	U38	1	
100572	Seal, felt, fitted on bar	U39	2	
129284	CABLE ASSEMBLY—COMPENSATOR TO R.H. BRAKE UNIT	U40	1	
129283	CABLE ASSEMBLY—COMPENSATOR TO L.H. BRAKE UNIT	U41	1	
57190	Joint assembly, clevis, cable to compensator	U42	2	
PC0007	Pin, cotter, locking swivel pin	U43	2	
JN2107	Nut, jam, clevis joint assembly to cable	U44	2	
PJ8808	Pin, joint, cable to brake unit	U45	2	
PC0009	Pin, cotter, retaining joint pin	U46	2	
WP0008	Washer, plain, between cotter pin and fork-end	U47	2	

Note:—Items marked thus † are available on our Factory Exchange Unit Scheme

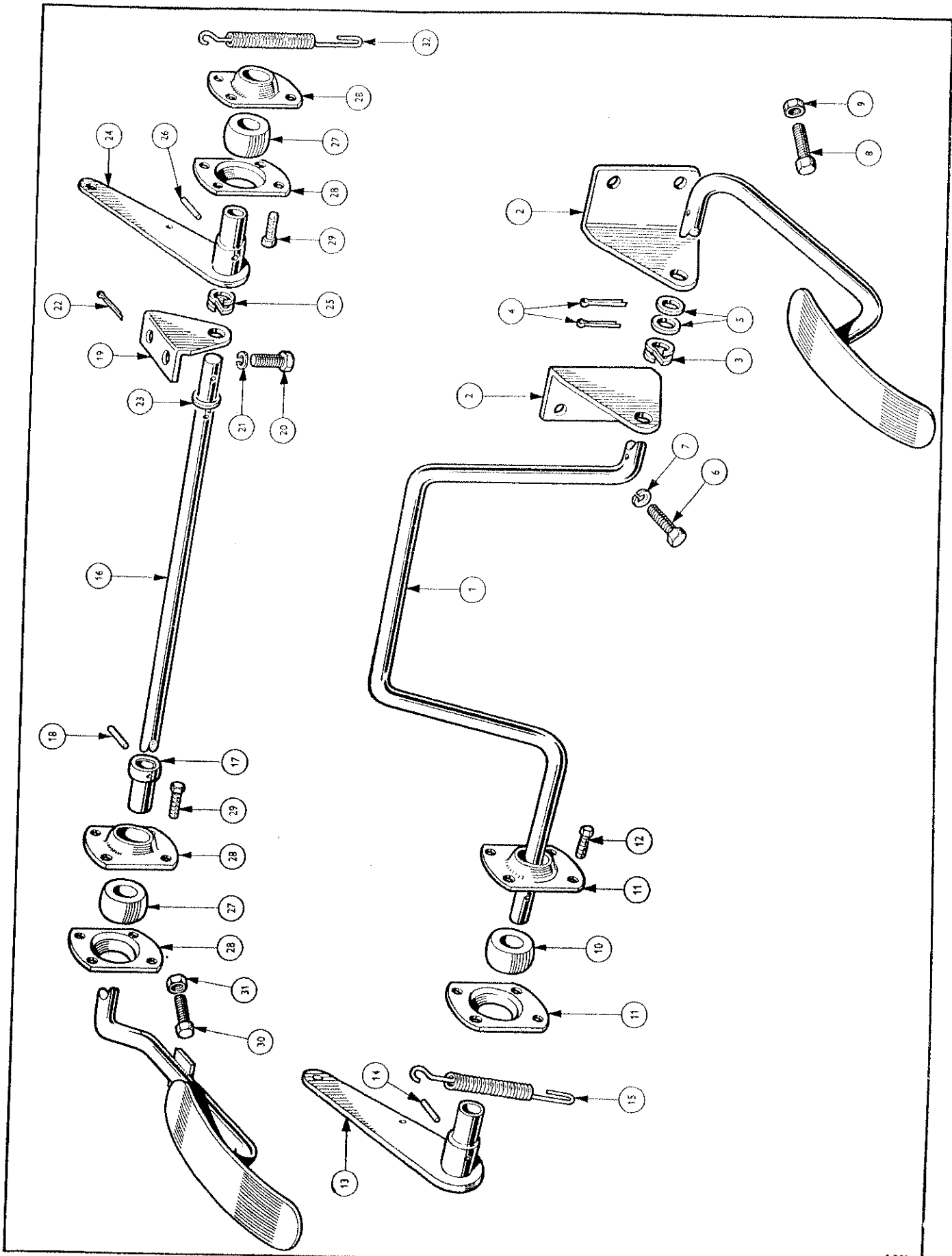


PLATE V

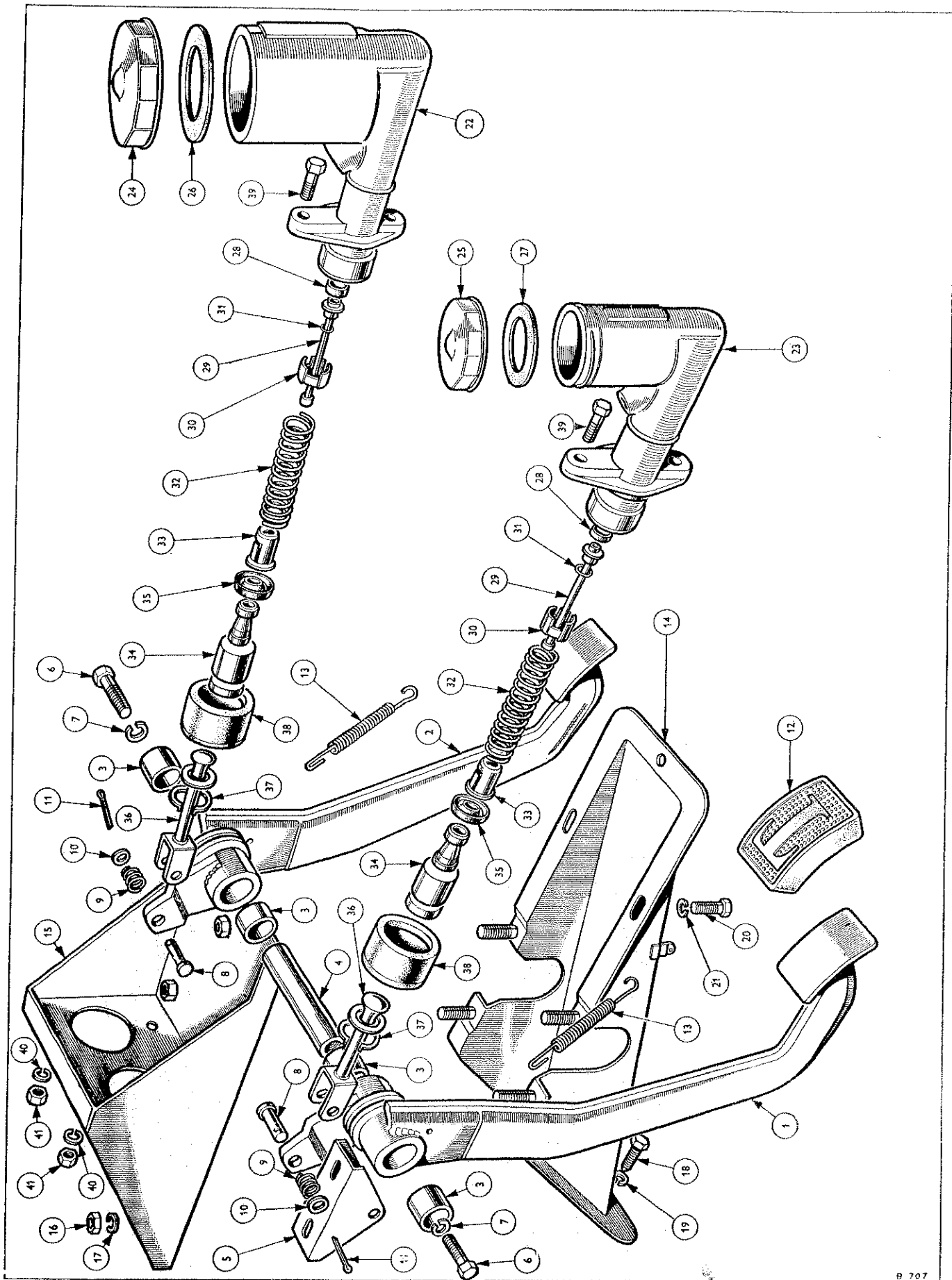
ACCELERATION CONTROL

Part No.	Description	Plate No.	No. per Unit	Remarks
209411	ACCELERATOR PEDAL ASSEMBLY R.H.S.	V1	1	
131253	Bracket , fulcrum, pedal to toe board	V2	2	
WD0159	Washer , lock (double coil), pedal shaft	V3	1	
PC0009	Pin , cotter, locating pedal shaft in fulcrum bracket	V4	2	
WP0036	Washer , plain, between cotter pin and bracket	V5	2	
HU0705P	Screw , set } Fulcrum bracket	V6	4	
WL0207	Washer , spring } to bulkhead	V7	4	
HU0716P	Screw , set } Accelerator pedal	V8	1	
JN2107	Nut , jam } limit stop	V9	1	
HU0705P	Screw , set } Blanking redundant		3	
WL0207	Washer , lock } holes		3	
600400	Plug , blanking } on R.H.S. models		1	
58282	Bearing , self aligning, on pedal shaft	V10	1	
105226	Housing , bearing (half)	V11	2	
YH7503	Screw , s/tapping, bearing housing attachment	V12	4	
106753	Lever assembly	V13	1	
500555	Pin , mills, securing lever to pedal shaft	V14	1	Alternative to DS1312
27645	Spring , return	V15	1	
DS1312	Dowel , spring, securing lever to pedal shaft		1	Alternative to 500555
206590	ACCELERATOR PEDAL ASSEMBLY L.H.S.	V16	1	
120443	Bush , pedal	V17	1	
500555	Pin , mills	V18	1	
106763	Bracket	V19	1	
HU0705P	Screw , set } Bracket	V20	2	
WL0207	Washer , lock } attachment	V21	2	
PC0009	Pin , cotter	V22	1	
WP0036	Washer , plain	V23	1	
106753	Lever assembly	V24	1	
WD0159	Washer , spring, between lever and bracket	V25	1	
500555	Pin , mills, securing lever	V26	1	
58282	Bearing , self aligning, on shaft	V27	2	
105226	Housing , bearing (half)	V28	4	
YH7503	Screw , s/tapping, bearing housing attachment	V29	8	
HU0716F	Screw , pedal limit stop	V30	1	
JN2107	Nut , jam	V31	1	
27645	Spring , return	V32	1	

Note:—For Link Rods, see Engine Section, Carburettor details

Note:—Items marked thus † are available on our Factory Exchange Unit Scheme

14



B 707

PLATE W

TRIUMPH SPORTS CAR 20 TRA

CLUTCH AND BRAKE PEDALS

Part No.	Description	Plate No.	No. per Unit	Remarks
133810	CLUTCH PEDAL ASSEMBLY { R.H.S. L.H.S.	W1	1	
129275			1	
133808	BRAKE PEDAL ASSEMBLY { R.H.S. L.H.S.	W2	1	
129277			1	
100954	Bush, pedal pivot	W3	4	
110016	Shaft, pedal	W4	1	
106678	Bracket, supporting, pedal shaft	W5	2	
HU0905	Screw, set } Shaft to	W6	2	
WL0209	Washer, spring } bracket	W7	2	
PJ8812	Pin, joint	W8	2	
131787	Spring, anti-rattle	W9	2	
WP0008	Washer, plain	W10	2	
PC0009	Pin, cotter	W11	2	
122289	Pad, rubber, on pedals	W12	2	
57950	Spring, return, pedal	W13	2	
106670	PEDAL SHAFT COVER ASSEMBLY	W14	1	
132012	MASTER CYLINDER SUPPORT BRACKET ASSEMBLY	W15	1	Fitted up to Commission No. CT26929
138910	MASTER CYLINDER SUPPORT BRACKET ASSEMBLY		1	Fitted from Commission No. CT26930 and future
HN2008	Nut	W16	4	
WL0208	Washer, lock	W17	4	
HU0805P	Screw, set	W18	2	
WL0208	Washer, lock	W19	2	
HU0806	Screw, set	W20	2	
WL0208	Washer, lock	W21	2	

15

Note:—Items marked thus † are available on our Factory Exchange Unit Scheme

MASTER CYLINDER

Part No.	Description	Plate No.	No. per Unit	Remarks
131661	BRAKE MASTER CYLINDER ASSEMBLY		1	Fitted up to Commission No. CT5855 (wire wheels) and CT5782 (disc wheels) only
132909	BRAKE MASTER CYLINDER ASSEMBLY		1	Fitted from Commission No. CT5856 (wire wheels) and CT5783 (disc wheels) and future
130887	CLUTCH MASTER CYLINDER ASSEMBLY		1	
	Barrel and tank assembly	{ Brake Clutch	W22 W23	Not serviced Not serviced
510844	Cap, filler, brake		W24	1
106094	Cap, filler, clutch		W25	1
510845	Gasket, filler, brake		W26	1
106095	Washer, rubber, clutch		W27	1
106158	Seal		W28	2
106157	Stem	} Valve	W29	2
111163	Spacer		W30	2
106090	Washer, spring, between spacer and valve head		W31	2
106156	Spring, plunger return		W32	2
106088	Retainer, spring to plunger		W33	2
504842	Plunger		W34	2
510847	Seal, plunger		W35	2
511137	Plunger	} Brake		1
511138	Seal, plunger			1
504842	Plunger	} Clutch		1
510847	Seal, plunger			1
510197	Rod, push, assembly		W36	2
106092	Circlip, securing retaining washer		W37	2
106093	Cover, dust, (rubber) cylinder head		W38	2
HU0807	Screw, set	} Master cylinder to support bracket	W39	4
WL0208	Washer, lock		W40	4
HN2008	Nut		W41	2
				} Fitted up to Commission No. CT5855 (wire wheels) and CT5782 (disc wheels) only
				} Fitted from Commission No. CT5856 (wire wheels) and CT5783 (disc wheels) and future

16

Note:—Items marked thus † are available on our Factory Exchange Unit Scheme

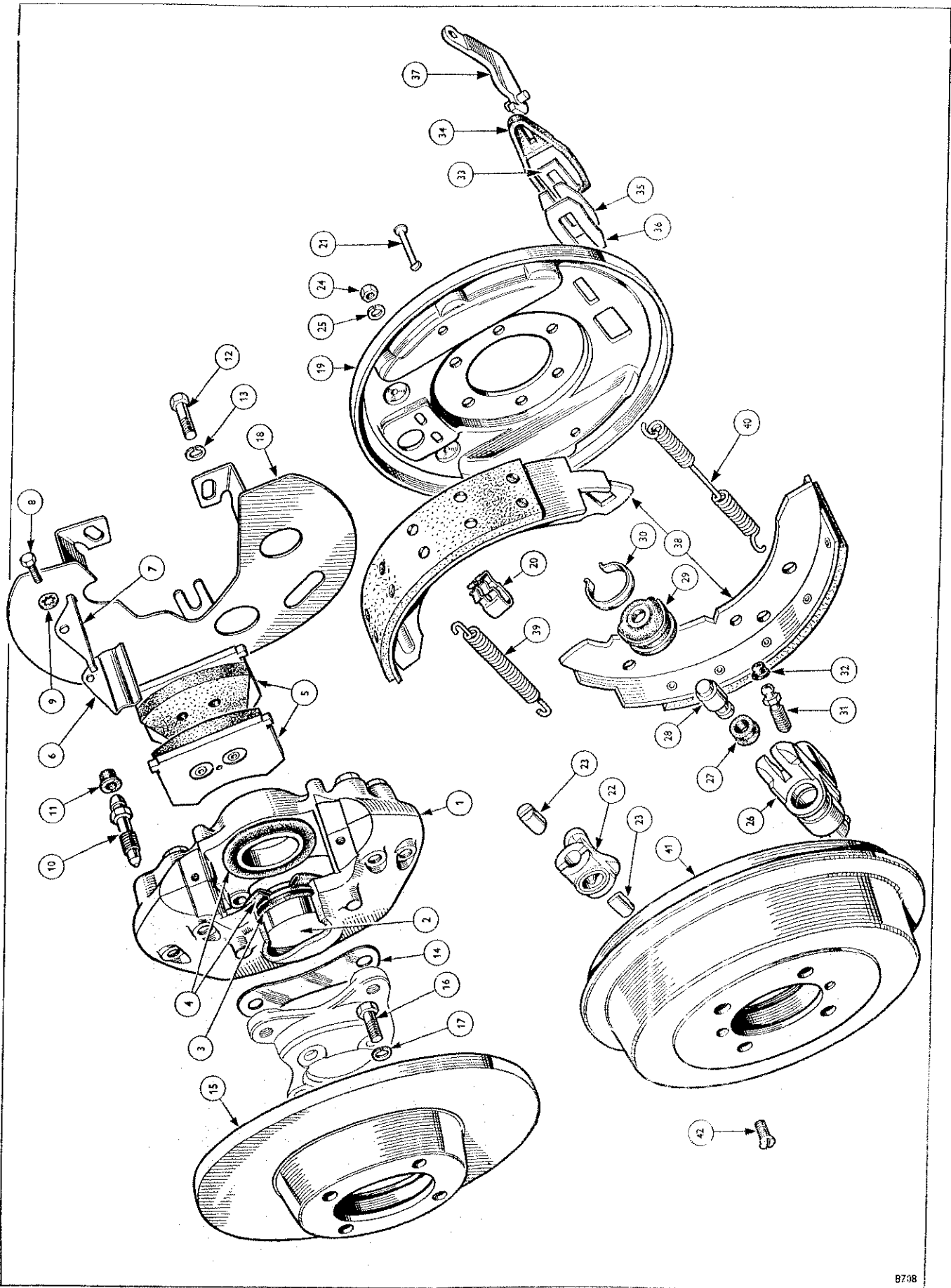


PLATE X

BRAKE UNIT

Part No.	Description	Plate No.	No. per Unit	Remarks
206507	FRONT BRAKE CALIPER ASSEMBLY ('B' TYPE SPLIT) R.H.		1	} Fitted up to Commission No. CT4689 (wire wheels) and CT4387 (disc wheels) only } Competition purposes only
206506	FRONT BRAKE CALIPER ASSEMBLY ('B' TYPE SPLIT) L.H.	X1	1	
504825	Piston, fitted in body	X2	4	
504826	Ring, piston, sealing	X3	4	
504827	Boot, rubber, over end of piston	X4	4	
130829	Pad, lining assembly	X5	4	
509049	Spring, damping, brake pad	X6	4	
509051	Plate, retaining lining pad in body	X7	4	
HU0704	Screw	X8	4	
504834	Washer, shakeproof	X9	4	
509050	Screw, bleed	X10	2	
105676	Cover, bleed screw	X11	2	
113142	Bolt	X12	4	
WL0210	Washer, spring	X13	4	
115682	Shim	X14	as req'd.	
512540	Pad, lining, assembly		4	
305692	FRONT BRAKE CALIPER ASSEMBLY (TYPE 16P) R.H.		1	} Fitted from Commission No. CT4690 (wire wheels) and CT4388 (disc wheels) and future
305693	FRONT BRAKE CALIPER ASSEMBLY (TYPE 16P) L.H.		1	
510792	Piston, fitted in body		2	
504826	Ring, piston sealing		4	
510790	Pad, lining assembly		4	
134339	Pad, lining assembly		4	} Fitted from Commission No. CT4690 up to CT7629 (wire wheels) and CT4388 up to CT7746 (disc wheels) only } Fitted from Commission No. CT7630 (wire wheels) and CT7747 (disc wheels) and future
512541	Pad, lining, assembly		4	
509058	Pin, pad retaining		4	} Competition purposes only } Fitted from Commission No. CT7630 (wire wheels) and CT7747 (disc wheels) and future
509059	Clip, securing pin in body		4	
510809	Shim, damping		4	
504827	Boot, rubber		4	
108756	Screw, bleed		2	
105676	Cap, bleed screw		2	
113142	Bolt		4	
WL0210	Washer, spring		4	
115682	Shim		as req'd.	
			4	

17

Note:—Items marked thus † are available on our Factory Exchange Unit Scheme

BRAKE UNIT

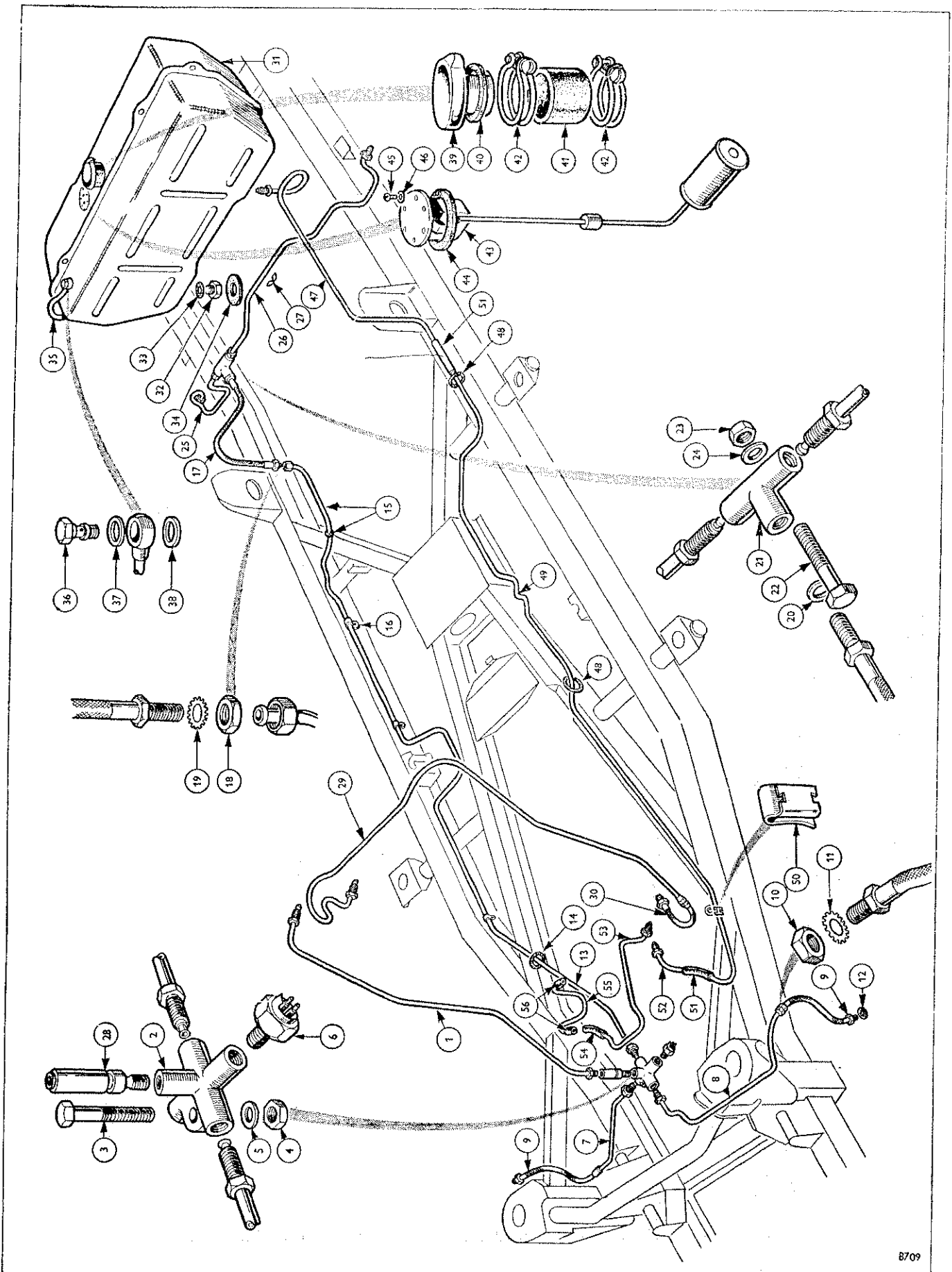
Part No.	Description	Plate No.	No. per Unit	Remarks	
203189	FRICION DISC, FRONT BRAKE CALIPER	X15	2	Fitted up to Commission No. CT4689 (wire wheels) and CT4387 (disc wheels) only	
209327	FRICION DISC, FRONT BRAKE CALIPER		2	Fitted from Commission No. CT4690 (wire wheels) and CT4388 (disc wheels) and future	
113150	Bolt	X16	8	Fitted up to Commission No. CT4689 (wire wheels) and CT4387 (disc wheels) only Fitted from Commission No. CT4690 (wire wheels) and CT4388 (disc wheels) and future Secured by mounting plate attachment bolts	
WL0209	Washer, spring	X17	8		
204378	Cover, dust assembly } Friction disc to front hub	X18	1		
204379			1		
211804	Cover, dust assembly } R.H.		1		
211805		L.H.	1		
209325	Cover, dust assembly } R.H.		1		
209326		L.H.	1		
206480	REAR BRAKE ASSEMBLY, R.H.		1		Fitted up to Commission No. CT5655 (wire wheels) and CT5782 (disc wheels) only
206479	REAR BRAKE ASSEMBLY, L.H.		1		
209100	REAR BRAKE ASSEMBLY, R.H.		1	Fitted from Commission No. CT5656 (wire wheels) and CT5783 (disc wheels) and future	
209099	REAR BRAKE ASSEMBLY, L.H.		1		
206502	BACK PLATE ASSEMBLY { R.H.		1	Fitted up to Commission No. CT5655 (wire wheels) and CT5782 (disc wheels) only Fitted from Commission No. CT5656 (wire wheels) and CT5783 (disc wheels) and future	
206501		L.H.	1		
508818	Spring	X19	4		
122505	Pin	X20	4		
		X21	4		
120142	ADJUSTER UNIT ASSEMBLY	X22	2	Fitted up to Commission No. CT5655 (wire wheels) and CT5782 (disc wheels) only Fitted from Commission No. CT5656 (wire wheels) and CT5783 (disc wheels) and future	
111054	Tappet, adjuster unit	X23	4		
HN2007	Nut	X24	4		
WN0707	Washer, spring	X25	4		

Note:—Items marked thus † are available on our Factory Exchange Unit Scheme

BRAKE UNIT

Part No.	Description	Plate No.	No. per Unit	Remarks
504835	REAR WHEEL CYLINDER ASSEMBLY — .75" DIAMETER		2	} Fitted up to Commission No. CT5655 (wire wheels) and CT5782 (disc wheels) only
	Body	X26	Not serviced	
107176	Seal, piston	X27	2	
504837	Piston	X28	2	
504838	Cover, dust, over piston	X29	2	
504839	Retainer, dust cover	X30	2	
108756	Screw, bleed, wheel cylinder	X31	2	
105676	Cover, dust, bleed screw	X32	2	
510942	REAR WHEEL CYLINDER ASSEMBLY — .70" DIAMETER		2	} Fitted from Commission No. CT5656 (wire wheels) and CT5783 (disc wheels) and future
	Body		Not serviced	
510946	Spring		2	
510945	Seal, gland		2	
510944	Piston		2	
504838	Cover, dust, over piston		2	
504839	Retainer, dust cover		2	
108756	Screw, bleed, wheel cylinder		2	
105676	Cap, bleed screw		2	
505094	Washer, distance, dust cover	X33	2	
505093	Cover, dust, wheel cylinder	X34	2	
505092	Plate, locking, wheel cylinder	X35	2	
505091	Spring, retaining, locking plate	X36	2	
505088	Lever assembly, hand brake	X37	2	
509207	BRAKE SHOE SET (comprising one leading and one trailing shoe)	X38	2 sets	
508817	Spring, shoe return, adjuster end	X39	2	
505081	Spring, shoe return, expander end	X40	2	
201493	REAR BRAKE DRUM, 9"	X41	2	
202267	REAR BRAKE DRUM, 9" ALFIN TYPE		2	
V5435	Screw, set, drum to hub	X42	4	

Note:—Items marked thus † are available on our Factory Exchange Unit Scheme



B709

PLATE Y

TRIUMPH SPORTS CAR 20 TR4

HYDRAULIC PIPES

Part No.	Description	Plate No.	No. per Unit	Remarks
BRAKE PIPES				
208528	Pipe, master cylinder to five-way connection, R.H.S.	Y1	1	
59380	Clip, pipe to dash, R.H.S.		2	
305386	Pipe, master cylinder to five-way connection, L.H.S.		1	
59380	Clip, pipe to dash, L.H.S.		4	
107069	Connection, five-way	Y2	1	Fitted up to Commission No. CT26929
138954	Connection, four-way			
HB0710	Bolt, connection attachment	Y3	1	
TN3207	Nut, locking bolt	Y4	1	
WP0007	Washer, plain, under nut	Y5	1	
126845	Switch, stop light, in five-way connection	Y6	1	Fitted up to Commission No. CT22711
137835	Switch, stop light, in four-way connection		1	Fitted from Commission No. CT22712 up to CT26929 and future
134529	Switch, stop light, in four-way connection		1	} Fitted from Commission No. CT26930 and future
138911	Mounting bracket, stop light switch		1	
208288	Pipe, five-way connection to front R.H. hose bracket	Y7	1	Fitted up to Commission No. CT4689 (wire wheels) and CT4387 (disc wheels) only
133608	Pipe, five-way connection to front R.H. hose bracket		1	Fitted from Commission No. CT4690 (wire wheels) and CT4388 (disc wheels) and future
208287	Pipe, five-way connection to front L.H. hose bracket	Y8	1	Fitted up to Commission No. CT4689 (wire wheels) and CT4387 (disc wheels) only
209380	Pipe, five-way connection to front L.H. hose bracket		1	Fitted from Commission No. CT4690 (wire wheels) and CT4388 (disc wheels) and future
115459	Hose, bracket to brake unit	Y9	2	Fitted up to Commission No. CT4689 (wire wheels) and CT4387 (disc wheels) only
133501	Hose, bracket to brake unit		2	Fitted from Commission No. CT4690 (wire wheels) and CT4388 (disc wheels) and future
JN2109	Nut, hose to bracket	Y10	2	
WN0709	Washer, shakeproof, under nut	Y11	2	
107072	Gasket, between hose and pipe	Y12	2	
505057	Pipe, five-way connection to rear hose bracket	Y13	1	
CD23720	Grommet, between cruciform front R.H. member and pipe	Y14	1	
CD26900	Grommet, between cruciform rear R.H. member and pipe	Y15	1	
59191	Clip, pipe to frame	Y16	3	
106747	Hose, bracket to three-way connection	Y17	1	
JN2109	Nut, hose to bracket	Y18	1	
WN0709	Washer, shakeproof, under nut	Y19	1	
107072	Gasket, between hose and connection	Y20	1	
107070	Connection, three-way	Y21	1	
HU0806	Screw, set, three-way connection to rear axle bracket	Y22	1	
JN3208	Nut, locking setscrew	Y23	1	
WP0008	Washer, plain, under nut	Y24	1	
208286	Pipe, three-way connection to R.H. brake cylinder	Y25	1	Fitted up to Commission No. CT15673 only

Note:—Items marked thus † are available on our Factory Exchange Unit Scheme

HYDRAULIC PIPES

Part No.	Description	Plate No.	No. per Unit	Remarks
BRAKE PIPES (continued)				
209870	Pipe, three-way connection to R.H. brake cylinder		1	Fitted from Commission No. CT15674 up to CT23382 only
210868	Pipe, three-way connection to R.H. brake cylinder		1	Fitted from Commission No. CT23383 and future
208285	Pipe, three-way connection to L.H. brake cylinder	Y26	1	
41674	Clip, pipe to pinion housing	Y27	3	
116197	Restrictor valve assembly	Y28	1	
501707	Fluid, brake		1 qt.	
CLUTCH PIPES				
305385	Pipe, master cylinder to hose bracket, R.H.S.	Y29	1	
208531	Pipe, master cylinder to hose bracket, L.H.S.		1	
115460	Hose, bracket to clutch slave cylinder	Y30	1	
JN2109	Nut, hose to bracket		1	
WN0709	Washer, shakeproof, under nut		1	
107072	Gasket, between hose and slave cylinder		1	

Note:—Items marked thus † are available on our Factory Exchange Unit Scheme

PETROL SYSTEM

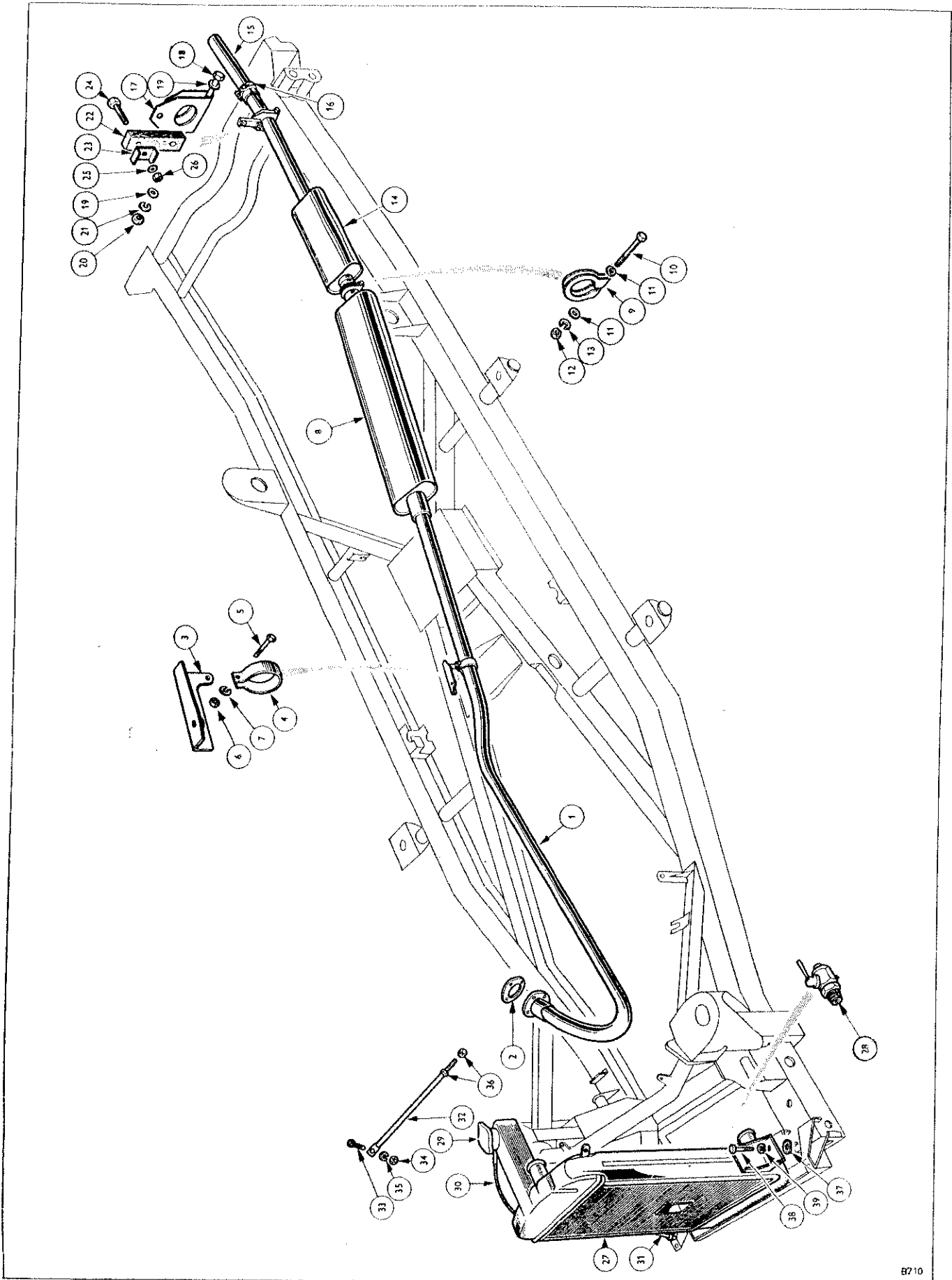
Part No.	Description	Plate No.	No. per Unit	Remarks
304849	PETROL TANK ASSEMBLY	Y31	1	Fitted up to Commission No. CT19970 only
306363	PETROL TANK ASSEMBLY		1	Fitted from Commission No. CT19971 and future
103222	Plug, drain	Y32	1	
WF0513	Washer, fibre, on plug	Y33	1	
Not serviced	Felt, tank mounting, rear top		1	
Not serviced	Felt, tank mounting, rear bottom		1	
HU0707P	Setscrew		6	} Petrol tank attachment
WP0120	Washer, plain		6	
WL0207	Washer, lock		6	
611733	Seal, drain plug, tank to floor	Y34	2	
208503	Pipe, vent assembly	Y35	1	
102213	Screw, union, vent pipe to tank	Y36	1	} Fitted up to Commission No. CT19970 only
WF0524	Washer, fibre, between union screw and pipe	Y37	1	
WF0521	Washer, fibre, between pipe and tank	Y38	1	
107554	Clip, vent pipe attachment		1	
59191	Clip, vent pipe		1	
61917	Grommet, vent pipe		1	Fitted up to Commission No. CT11663 only
600395	Grommet, vent pipe		1	Fitted from Commission No. CT11664 up to CT19970 only
650266	PETROL FILLER CAP AND NECK ASSEMBLY	Y39	1	Fitted up to Commission No. CT19970 only
613506	PETROL FILLER CAP ASSEMBLY		1	Fitted from Commission No. CT19971 and future
650247	Grommet, petrol filler	Y40	1	
650279	Connection, rubber, between neck and tank	Y41	1	
CS4038	Clip, securing connection	Y42	2	
208209	PETROL TANK GAUGE UNIT	Y43	1	Alternative to 209195
209195	PETROL TANK GAUGE UNIT		1	Alternative to 208209
110777	Washer, cork, between gauge unit and tank	Y44	1	
TR6503	Screw, gauge unit to petrol tank	Y45	6	
WF0505	Washer, fibre	Y46	6	

Note:—Items marked thus † are available on our Factory Exchange Unit Scheme

PETROL SYSTEM

Part No.	Description	Plate No.	No. per Unit	Remarks
PETROL PIPES				
208495	Pipe, petrol, tank to connector	Y47	1	
119868	Clip, pipe to floor		1	
WP0120	Washer, plain		1	} Clip to rear floor
WL0207	Washer, lock		1	
HN2007	Nut		1	
CD23720	Grommet, fitted in front and rear L.H. cruciform members	Y48	3	
59191	Clip, pipe to frame		4	
303754	Pipe, front to rear flexible connector	Y49	1	
130882	Clip, pipe to clutch hose bracket	Y50	1	
115784	Connector, flexible	Y51	2	
115779	Pipe assembly, connection to pump	Y52	1	
60142	Nut, tubing, male		1	
TL0008	Sleeve, tubing		1	
303059	Pipe assembly, pump to carburettor	Y53	1	Fitted up to Engine No. CT16800E and from CT16901E up to CT21470E only
305995	Pipe assembly, pump to carburettor		1	Fitted from Engine No. CT16801E up to CT16900E and from CT21471E and future
60176	Nut, tubing, male		1	
102729	Sleeve, tubing		1	
115783	Connection, flexible, pipe to carburettor	Y54	1	
120329	Pipe, rigid, between carburettors	Y55	1	Fitted up to Engine No. CT16800E and from CT16901E up to CT21470E only
136489	Pipe assembly, between carburettors		1	Fitted from Engine No. CT16801E up to CT16900E and from CT21471E and future
120331	Connection, flexible, carburettor pipes	Y56	2	
133072	Clip, pipe, thermostat housing bolt		1	
133083	Grommet, pipe clip		1	

Note:—Items marked thus † are available on our Factory Exchange Unit Scheme



B710

PLATE Z

TRIUMPH SPORTS CAR 20 TR4

EXHAUST SYSTEM

Part No.	Description	Plate No.	No. per Unit	Remarks
201763	FRONT EXHAUST PIPE ASSEMBLY	Z1	1	
106958	Washer, joint, between pipe and manifold	Z2	1	
108951	Nut		3	} Exhaust pipe to manifold
WL0209	Washer, lock		3	
FRONT EXHAUST PIPE MOUNTING DETAILS				
130888	Bracket assembly, exhaust pipe	Z3	1	
130890	Clip, pipe to bracket	Z4	1	
HU0808	Setscrew	Z5	1	} Clip to pipe and bracket
HN2008	Nut	Z6	1	
WL0208	Washer, lock	Z7	1	
Note: Bracket Part No. 130888 is secured to chassis frame by rear engine mounting bolt.				
202320	EXHAUST SILENCER	Z8	1	
209603	EXHAUST SILENCER (SWITZERLAND AND GERMANY ONLY)		1	
108446	Clip	Z9	1	} Fitted from Commission No. CT11454 and future
HB0822	Bolt	Z10	1	
WP0008	Washer, plain	Z11	2	
HN2008	Nut	Z12	1	
WL0208	Washer, lock	Z13	1	
105291	Strip, flexible, exhaust pipe mounting		1	
105290	Plate, clamp		2	
HU0808	Screw, set		2	
YN2908	Nut, nyloc		2	
110339	Bracket		1	
203530	TAIL PIPE AND AUXILIARY SILENCER ASSEMBLY	Z14	1	
114191	Extension, tail pipe	Z15	1	
CS4032	Clip, extension to pipe	Z16	1	
TAIL PIPE MOUNTING DETAILS				
107602	Clip, tail pipe	Z17	1	
HB0823	Bolt	Z18	1	
WP0008	Washer, plain	Z19	2	} Clip to pipe
HN2008	Nut	Z20	1	
WL0208	Washer, spring	Z21	1	
105291	Strip, flexible, mounting	Z22	1	
105290	Plate, clamp	Z23	2	} Flexible strip to clip and frame
HU0808	Screw, set	Z24	2	
WP0034	Washer, plain	Z25	2	
TN3208	Nut, nyloc	Z26	2	

Note:—Items marked thus † are available on our Factory Exchange Unit Scheme

RADIATOR

Part No.	Description	Plate No.	No. per Unit	Remarks
401869	RADIATOR BLOCK	Z27	1	Fitted up to Commission No. CT9552 only
402001	RADIATOR BLOCK		1	Fitted from Commission No. CT9553 and future
134456	RADIATOR BLOCK (Incorporating starting handle hole)		1	
61864	Tap, water drain	Z28	1	
122136	Cap, filler	Z29	1	
106102	Pipe, overflow, fitted to filler cap	Z30	1	
551491	Clip, pipe to radiator stay	Z31	2	
611793	Clip, overflow pipe to radiator mounting bracket		1	
131585	Rod, stay, radiator to body	Z32	2	
HU0806	Screw, set	Z33	2	
42244	Washer, rubber		2	} Fitted from Commission No. CT1016 and future
42243	Grommet		2	
WP0017	Washer, plain		4	
HN2008	Nut	Z34	2	
WL0208	Washer, spring	Z35	2	
JN2108	Nut, jam, stay rod to body	Z36	4	
48101	Packing, radiator mounting	Z37	as req'd.	
HU0909	Screw, set	Z38	2	
WL0209	Washer, spring	Z39	2	

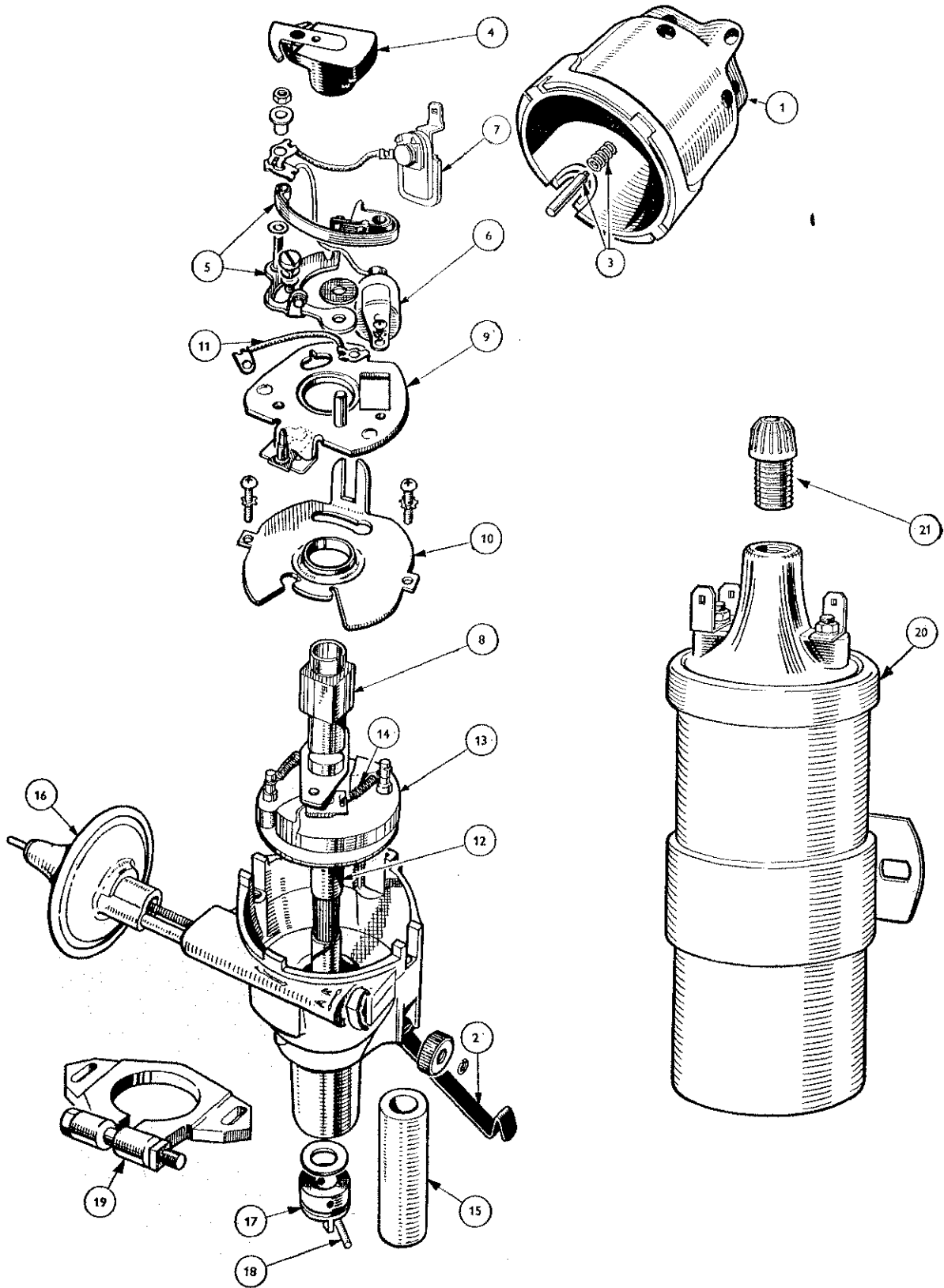
Note: For Radiator Hose details see Engine Section

Note:—Items marked thus † are available on our Factory Exchange Unit Scheme

TOOLS AND SERVICE KITS

Part No.	Description	Plate No.	No. per Unit	Remarks
MISCELLANEOUS CHASSIS DETAILS				
110774	Jack assembly		1	
110775	Ratchet, handle assembly		1	Alternative to 121790
121790	Ratchet, handle assembly		1	Alternative to 110775
59428	Spanner, wheel nut (For use with disc wheels only)		1	
118971	Headlamp rim removal tool		1	
24731	Tool roll		1	
109316	Spanner, open ended	$\left\{ \begin{array}{l} \frac{3}{8}'' \times \frac{7}{16}'' \text{ A/F} \\ \frac{3}{4}'' \times \frac{3}{8}'' \text{ A/F} \\ \frac{1}{2}'' \times \frac{9}{16}'' \text{ A/F} \end{array} \right.$	1	
109317			1	
109318			1	
109319	Spanner, tube. $\frac{1}{2}'' \times .56''$		1	
109320	Spanner, sparking plug		1	
113228	Spanner, adjustable		1	
109322	Grips, slip joint		1	
108674	Screwdriver		1	
132742	Bar, tommy		1	
119257	Gun, grease	$\left\{ \begin{array}{l} \text{Home} \\ \text{Export} \end{array} \right.$	1	
119218			1	
509816	Tool, combination		1	
125505	Feeler, gauge assembly		1	
500905	Screwdriver and distributor gauge		1	
510326	Book, instruction		1	
505703	Repair kit, rear wheel cylinder		1	For .75" cylinder Part No. 504835
512351	Repair kit, rear wheel cylinder		1	For .70" cylinder Part No. 510942
506667	Repair kit, front wheel disc brake		1	
505704	Repair kit, slave cylinder		1	
505702	Repair kit, master cylinder, clutch and brake		2	Fitted up to Commission No. CT5855 (wire wheels) and CT5782 (disc wheels)
505702	Repair kit, master cylinder	$\left\{ \begin{array}{l} \text{Clutch} \\ \text{Brake} \end{array} \right.$	1	Fitted from Commission No. CT5856 (wire wheels) and CT5783 (disc wheels) and future
514677			1	
501707	Fluid, brake and master cylinder		1 qt.	

Note:—Items marked thus † are available on our Factory Exchange Unit Scheme



B711

PLATE AA

TRIUMPH SPORTS CAR 20 TR4

ELECTRICAL EQUIPMENT

Part No.	Description	Plate No.	No. per Unit	Remarks
208095	† DISTRIBUTOR—86 mm. ENGINE		1	Fitted up to Commission No. CT17953 only
208972	† DISTRIBUTOR—86 mm. ENGINE		1	Fitted from Commission No. CT17954 and future
501717	Cap	AA1	1	Fitted up to Commission No. CT17953 only
511009	Cap		1	Fitted from Commission No. CT17954 and future
507083	Clip , retaining cover	AA2	2	
501718	Brush and spring, cap centre	AA3	1	
57469	Arm , rotor	AA4	1	
503681	Contact set	AA5	1	
509319	Condenser	AA6	1	
510632	Connector , bush and lead (Lucar)	AA7	1	Fitted up to Commission No. CT17953 only
511086	Connector , bush and lead (Lucar)		1	Fitted from Commission No. CT17954 and future
510640	Cam	AA8	1	
503684	Plate , contact breaker base	AA9	1	
503685	Plate , contact breaker bearing	AA10	1	Fitted up to Commission No. CT17953 only
511010	Plate , contact breaker bearing		1	Fitted from Commission No. CT17954 and future
503690	Lead , earth	AA11	1	
509324	Plate , shaft and action	AA12	2	
509323	Weight , auto advance	AA13	2	Fitted up to Commission No. CT17953 only
510638	Weight , auto advance		2	Fitted from Commission No. CT17954 and future
510889	Spring , auto advance weight	AA14	1 set	
507082	Bushing	AA15	1	
503697	Unit , vacuum control	AA16	1	Fitted up to Commission No. CT17953 only
510890	Unit , vacuum control		1	Fitted from Commission No. CT17954 and future
510043	Dog , driving distributor	AA17	1	
57992	Peg , securing dog	AA18	1	
501134	Plate , clamping distributor	AA19	1	
501728	Set , sundry parts		1	

Note:—Items marked thus † are available on our Factory Exchange Unit Scheme

ELECTRICAL EQUIPMENT

Part No.	Description	Plate No.	No. per Unit	Remarks
209092	† DISTRIBUTOR—86 mm. ENGINE		1	For Low Compression Engines only
509321	Cam		1	
512498	Spring, auto advance weight		1 set	
512499	Unit, vacuum control		1	
	Note: All other breakdown details as listed above for Distributor 208972			
208643	† DISTRIBUTOR—83 mm. ENGINE		1	
511200	Cam		1	
511201	Spring, auto advance weight		1 set	
511202	Unit, vacuum control		1	
	Note: All other breakdown details are as listed above for Distributor 208972			
	Note: For Distributor to Pedestal attachment details see Engine Section			
125195	IGNITION COIL	AA20	1	
105036	Nut, terminal	AA21	1	
HU0755	Screw, set, ignition coil to cylinder head		2	
WL0207	Washer, spring, on screw		2	
WP0007	Washer, plain		2	

Note:—Items marked thus † are available on our Factory Exchange Unit Scheme

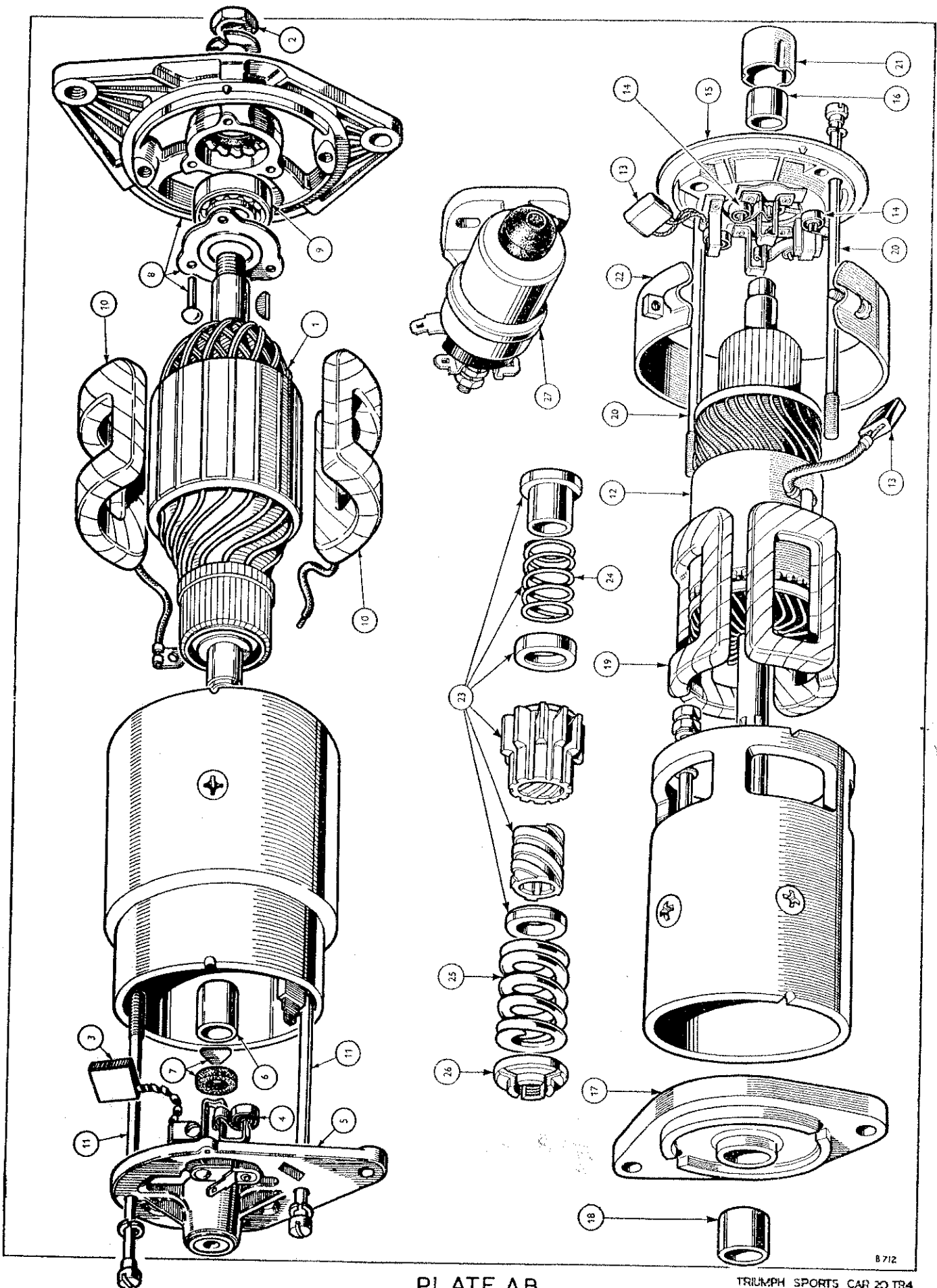
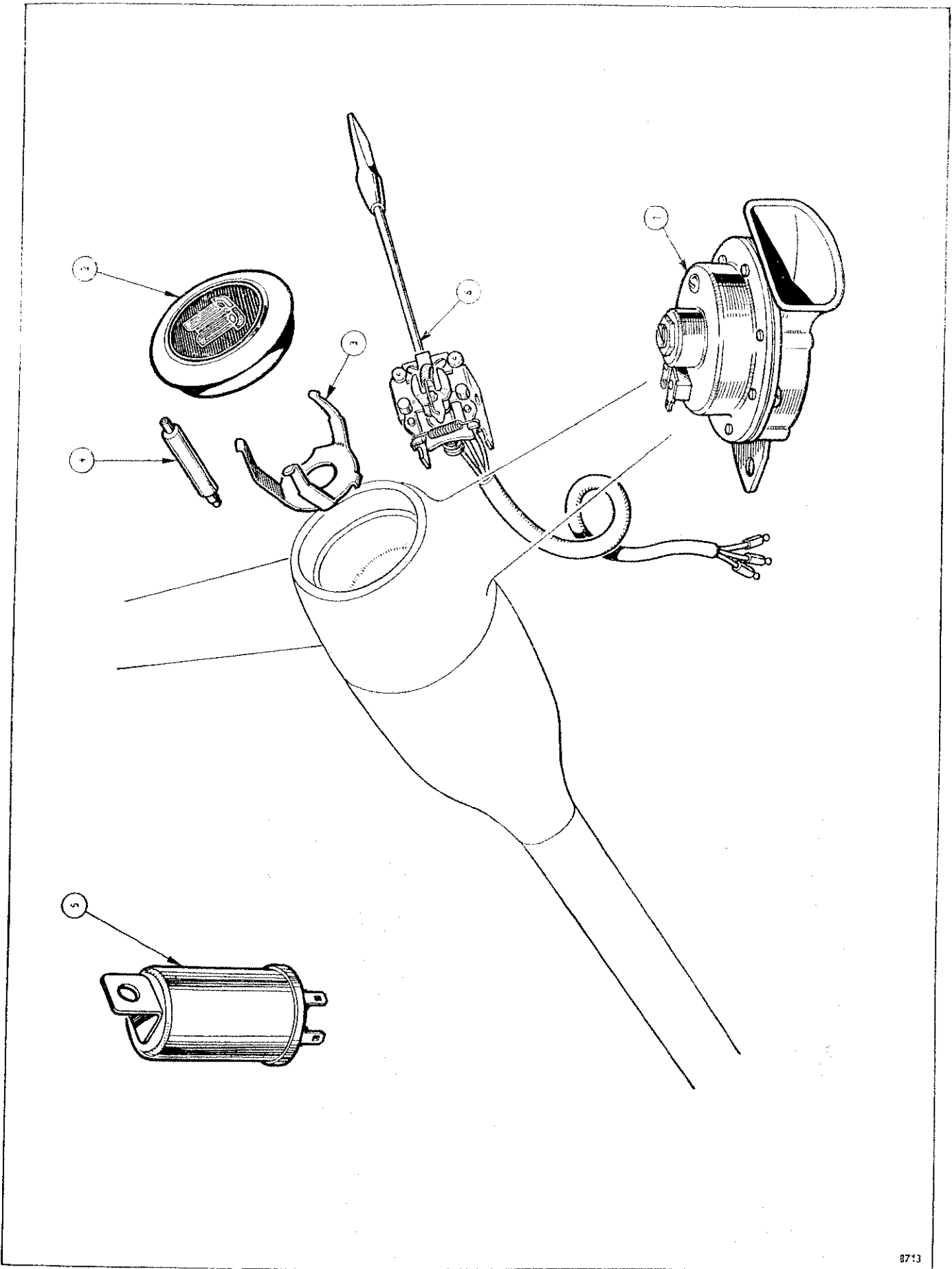


PLATE AB

ELECTRICAL EQUIPMENT

Part No.	Description	Plate No.	No. per Unit	Remarks
205939	† DYNAMO		1	
509311	Armature assembly	AB1	1	
509309	Nut, shaft	AB2	1	
509302	Brush set	AB3	1	
509306	Spring set, brush tension	AB4	1	
509303	Bracket assembly, commutator end (less bush)	AB5	1	
509304	Bush, commutator end bracket	AB6	1	
509305	Oiler assembly	AB7	1	
509308	Bracket assembly, driving end (less bush)	AB8	1	
509307	Bearing, driving end bracket	AB9	1	
509374	Coil, field, set	AB10	1	
509316	Bolt, through end brackets	AB11	1	
509317	Set, sundry parts		1	
	For Dynamo Attachment details see Engine Section			
202791	† STARTER MOTOR		1	
57580	Armature assembly	AB12	1	
57464	Brush set	AB13	1	
57465	Spring set, brush tension	AB14	1	
500373	Bracket assembly, commutator end	AB15	1	
59757	Bush, bearing, commutator end bracket	AB16	1	
503530	Bracket assembly, driving end	AB17	1	
509318	Bush, bearing, driving end bracket	AB18	1	
503531	Coil, field, set	AB19	1	
59765	Bolt, through end brackets	AB20	2	
57483	Cap, shaft end	AB21	1	
57579	Band, cover, assembly	AB22	1	
503529	Pinion and sleeve assembly	AB23	1	
70062	Spring, pinion retaining	AB24	1	
503528	Spring, main	AB25	1	
503527	Nut, pinion attachment	AB26	1	
70391	Set, sundry parts		1	
102014	Shim, starter motor		as req'd.	
HB0917	Bolt		2	Alternative to HB0920
HN2009	Nut		2	
WL0209	Washer, lock		2	Alternative to HB0917
HB0920	Bolt		2	
121269	STARTER SOLENOID SWITCH	AB27	1	
HU0503	Screw, set		2	Attaching solenoid to battery support
HN2005	Nut		2	
WP0005	Washer, plain		2	
WL0205	Washer, lock		2	

Note:—Items marked thus † are available on our Factory Exchange Unit Scheme



8713

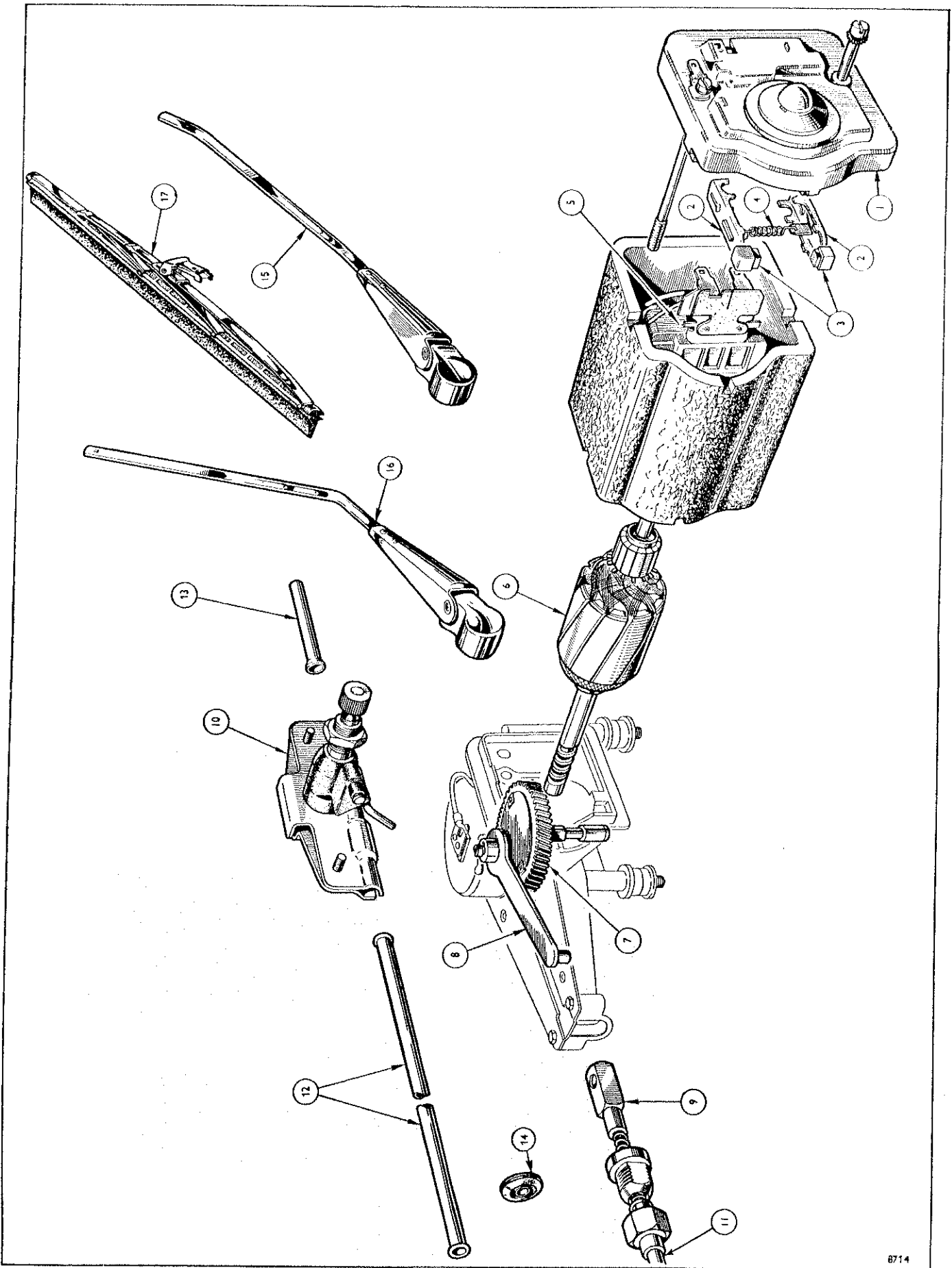
PLATE AC

TRIUMPH SPORTS CAR 20 TR4

ELECTRICAL EQUIPMENT

Part No.	Description	Plate No.	No. per Unit	Remarks
208686	†HORN WINDTONE—LOW NOTE	AC1	1	
208685	†HORN WINDTONE—HIGH NOTE	AC1	1	
HB0708P	Bolt		4	} Horn attachment
WM0093	Washer, plain		4	
WL0207	Washer, lock		4	
133321	HORN WINDTONE—HIGH NOTE		1	} France only
133322	Switch, horn		1	
609795	Bezel, horn switch		1	
128088	Washer, spring, horn switch		1	
133313	Lead, extension		1	
	Note: The items above replace the existing High Note Horn for France only. The Low Note Horn is unchanged			
131227	HORN PUSH ASSEMBLY	AC2	1	
204741	Clip, horn push assembly	AC3	1	
108657	Brush, horn push connection	AC4	1	
131251	FLASHER UNIT	AC5	1	
YX5308	Screw		1	} Attaching flasher unit socket to side panel
FU2543	Nut, fix		1	
129891	TRAFFICATOR SWITCH	AC6	1	Fitted up to Body No. 35446CT only (For all replacements use 141628)
TP0402	Screw, set		2	} Switch attachment
WE0604	Washer, shakeproof		2	
141628	TRAFFICATOR SWITCH		1	Fitted from Body No. 35447CT and future Note. Cancelling clip No. 140549 must be fitted with switch No. 141628

Note:—Items marked thus † are available on our Factory Exchange Unit Scheme



8714

PLATE AD

TRIUMPH SPORTS CAR 20 TR4

ELECTRICAL EQUIPMENT

Part No.	Description	Plate No.	No. per Unit	Remarks
WINDSCREEN WIPER DETAILS				
505124	† MOTOR AND GEARBOX		1	Fitted up to Body No. 7783CT, R.H.S., and 30CT, L.H.S. only
503594	Cover, end	AD1	1	
505125	Gear, brush	AD2	1	
505126	Brush set	AD3	1	
57492	Spring, brush	AD4	1	
503597	Coil, field	AD5	1	
503596	Armature	AD6	1	
503602	Shaft and gear assembly	AD7	1	
503601	Rod assembly, connecting gear to crosshead and rack	AD8	1	
503603	Set, sundry parts		1	
510986	† MOTOR AND GEARBOX		1	Fitted from Body No. 7784CT, R.H.S., and 31CT, L.H.S., and future
511002	Cover, end		1	
508169	Gear, brush		1	
508170	Brush set		1	
57492	Spring, brush		1	
511004	Coil, field		1	
511003	Armature		1	
511078	Shaft and gear assembly		1	
503603	Set, sundry parts		1	
508182	Crosshead and rack	AD9	1	
131099	Wheelbox assembly—R.H.	AD10	1	
131100	Wheelbox assembly—L.H.		1	
131101	Tubing, motor to first wheelbox	AD11	1	
131151	Tubing, wheelbox to wheelbox	AD12	1	
108860	Tubing, short, second wheelbox	AD13	1	
131155	Grommet	AD14	1	
131105	Wiper arm—R.H.	AD15	1	} R.H.S.
131106	Wiper arm—L.H.	AD16	1	
131107	Wiper arm—R.H.		1	} L.H.S.
131108	Wiper arm—L.H.		1	
131111	Blade, wiper	AD17	2	

Note:—Items marked thus † are available on our Factory Exchange Unit Scheme

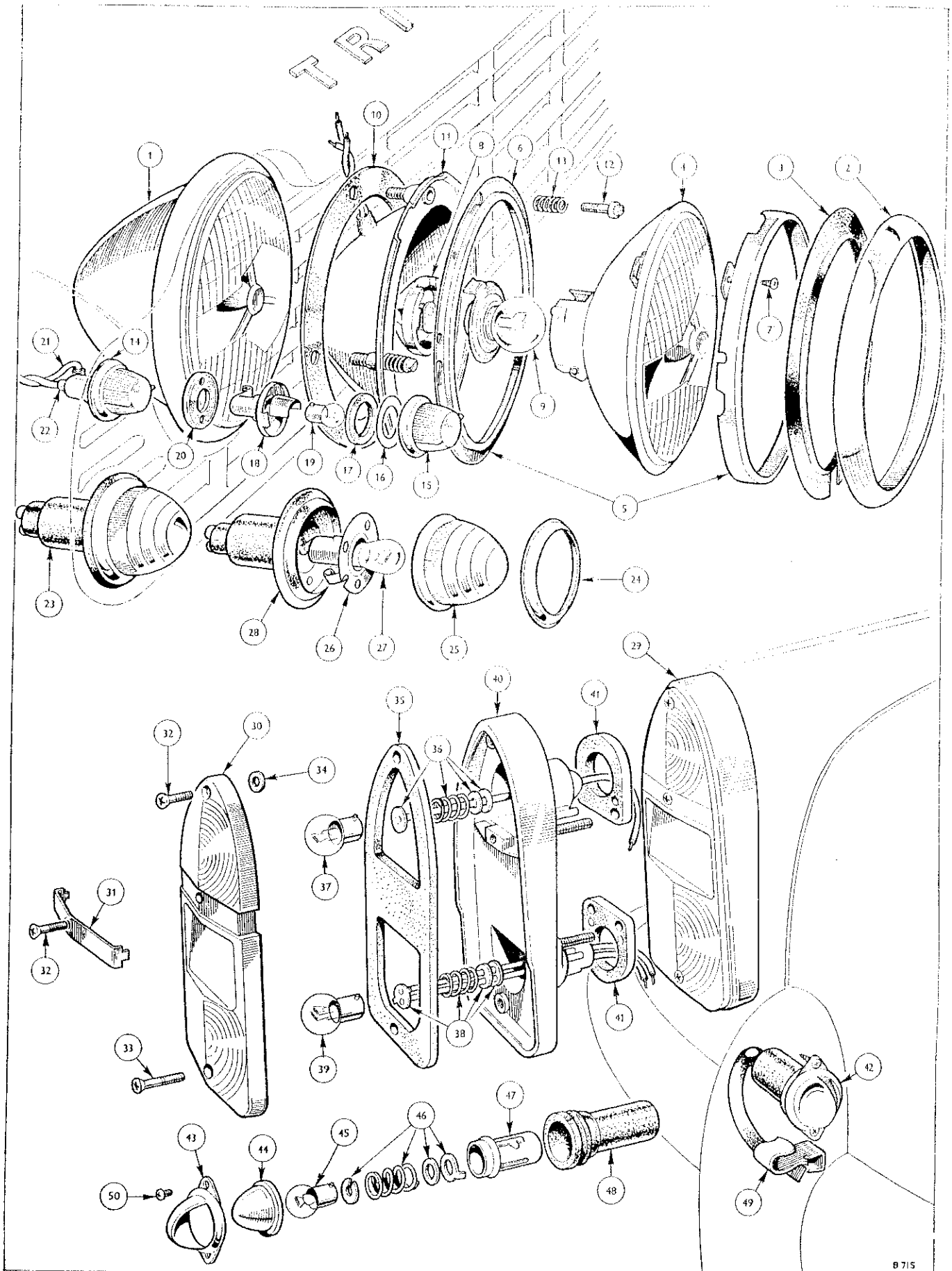


PLATE AE

ELECTRICAL EQUIPMENT

Part No.	Description	Plate No.	No. per Unit	Remarks	
506370	HEADLAMP ASSEMBLY (Home Production)	(Block Lens Dip left)	AE1	2	Fitted up to Body No.
119072	Rim (Snap on type)	AE2	2		
59781	Excluder, dust	AE3	2		
501713	Light unit	AE4	2		
502291	Plate, retaining light unit	AE5	2		
503537	Rim, unit seating	AE6	2		
507086	Screw, unit rim	AE7	6		
501433	Lead and cap assembly	AE8	2		
501421	Bulb, dip left	AE9	2		
121780	Gasket, rubber	AE10	2		
	Body	AE11		Not serviced	
507087	Screw, c/w washer	AE12	6		
503540	Spring, trimmer	AE13	6		
506371	HEADLAMP ASSEMBLY (Export only) R.H.S.	(Block Lens Dip left)	AE1	2	Fitted up to Body No.
119072	Rim (Snap on type)	AE2	2		
59781	Excluder, dust	AE3	2		
500998	Light unit	AE4	2		
502291	Plate, retaining light unit	AE5	2		
503537	Rim, unit seating	AE6	2		
507086	Screw, unit rim	AE7	6		
70361	Lead and cap assembly	AE8	2		
500482	Bulb, dip left	AE9	2		
121780	Gasket, rubber	AE10	2		
	Body	AE11		Not serviced	
507087	Screw, c/w washer	AE12	6		
503540	Spring, trimmer	AE13	6		
506372	HEADLAMP ASSEMBLY L.H.S.	(Block Lens Dip right)	AE1	2	Fitted up to Body No.
119072	Rim (Snap on type)	AE2	2		
59781	Excluder, dust	AE3	2		
507088	Light unit	AE4	2		
502291	Plate, retaining light unit	AE5	2		
503537	Rim, unit seating	AE6	2		
507086	Screw, unit rim	AE7	6		
70361	Lead and cap assembly	AE8	2		
59469	Bulb, 12 volt, dip right	AE9	2		
121780	Gasket, rubber	AE10	2		
	Body	AE11		Not serviced	
507087	Screw, c/w washer	AE12	6		
503540	Spring, trimmer	AE13	6		

Note:—Items marked thus † are available on our Factory Exchange Unit Scheme

ELECTRICAL EQUIPMENT

Part No.	Description	Plate No.	No. per Unit	Remarks
508574	HEADLAMP ASSEMBLY (U.S.A. and Canada only)	AE1	2	Fitted up to Body No.
124020	Rim (Snap on type)	AE2	2	
59781	Excluder, dust	AE3	2	
511392	Plate, retaining light unit	AE5	2	
511393	Rim, unit seating	AE6	2	
511394	Screw, unit rim	AE7	6	
501473	Adaptor, light unit		2	
501478	Cable and adaptor assembly		2	
121780	Gasket, rubber	AE10	2	
506373	HEADLAMP ASSEMBLY (France Vietnam)	AE1	2	Fitted up to Body No.
119072	Rim (Snap on type)	AE2	2	
59781	Excluder, dust	AE3	2	
500934	Adaptor, three pin		2	
70361	Lead and cap assembly	AE8	2	
121780	Gasket, rubber	AE10	2	
506375	HEADLAMP ASSEMBLY (Norway and Sweden)	AE1	2	Fitted up to Body No.
119072	Rim (Snap on type)	AE2	2	
59781	Excluder, dust	AE3	2	
502212	Light unit	AE4	2	
502291	Plate, retaining light unit	AE5	2	
503537	Rim, unit seating	AE6	2	
507086	Screw, unit rim	AE7	6	
70361	Lead and cap assembly	AE8	2	
60796	Bulb	AE9	2	
121780	Gasket, rubber	AE10	2	
	Body	AE11		Not serviced
507087	Screw, c/w washer	AE12	6	
503540	Spring, trimmer	AE13	6	
506376	HEADLAMP ASSEMBLY (Continental, including Holland)	AE1	2	Fitted up to Body No.
119072	Rim (Snap on type)	AE2	2	
59781	Excluder, dust	AE3	2	
502212	Light unit	AE4	2	
502291	Plate, retaining light unit	AE5	2	
503537	Rim, unit seating	AE6	2	
507086	Screw, unit rim	AE7	6	
70361	Lead and cap assembly	AE8	2	
501475	Bulb, vertical dip	AE9	2	
121780	Gasket, rubber	AE10	2	
	Body	AE11		Not serviced
507087	Screw, c/w washer	AE12	6	
503540	Spring, trimmer	AE13	6	

Note:—Items marked thus † are available on our Factory Exchange Unit Scheme

ELECTRICAL EQUIPMENT

Part No.	Description	Plate No.	No. per Unit	Remarks	
506377	HEADLAMP ASSEMBLY (Switzerland)	(Block lens Vertical dip)	AE1	2	Fitted up to Body No.
119072	Rim (Snap on type)	AE2	2		
59781	Excluder, dust	AE3	2		
504029	Light unit	AE4	2		
502291	Plate, retaining light unit	AE5	2		
503537	Rim, unit seating	AE6	2		
507086	Screw, unit rim	AE7	6		
70361	Lead and cap assembly	AE8	2		
501475	Bulb, vertical dip	AE9	2		
121780	Gasket, rubber	AE10	2		
	Body	AE11		Not serviced	
507087	Screw, c/w washer	AE12	6		
503540	Spring, trimmer	AE13	6		
510213	HEADLAMP ASSEMBLY (Sweden)	(Asymmetric)		2	Fitted up to Body No.
510891	Rim		2		
59781	Excluder, dust		2		
510896	Light unit		2		
510893	Spring, retaining bulb		2		
510894	Bulbholder, main		2		
509847	Bulb, main		2		
502291	Plate, retaining light unit		2		
503537	Rim, unit seating		2		
507086	Screw, unit rim		6		
510895	Gasket, rubber		2		
507087	Screw, c/w washer		6		
503540	Spring, trimmer		6		
510212	HEADLAMP ASSEMBLY (France and French Territories)	(Asymmetric)		2	Fitted up to Body No.
510891	Rim		2		
59781	Excluder, dust		2		
510892	Light unit		2		
510893	Spring, retaining bulb		2		
510894	Bulbholder		2		
510219	Bulb, main		2		
502291	Plate, retaining light unit		2		
503537	Rim, unit seating		2		
507086	Screw, unit rim		6		
510895	Gasket, rubber		2		
507087	Screw, c/w washer		6		
503540	Spring, trimmer		6		

Note:—Items marked thus † are available on our Factory Exchange Unit Scheme

ELECTRICAL EQUIPMENT

Part No.	Description	Plate No.	No per Unit	Remarks
512223	HEADLAMP ASSEMBLY		2	} Fitted from Body No. 23923CT and future. L.H. Rule of Road, R.H.S. only, Home and Export except Sweden
119072	Rim, snap-on		2	
512231	Light unit		2	
512987	Plate, retaining light unit		2	
512222	Gasket, body		2	
507086	Screw, securing unit retaining plate		6	
511600	Adaptor		2	
605953	Sleeve, terminal		6	
501478	Connector and cable assembly		2	
YF7505	Screw, set } Headlamp		8	
FJ2445/4	Nut } attachment		8	
512224	HEADLAMP ASSEMBLY		2	} Fitted from Body No. 23836CT R.H. Rule of Road, L.H.S. only. Europe except Austria and French Markets
119072	Rim, snap-on		2	
512241	Light unit		2	
510218	Bulb, 12 v., 45/50 w.		2	
510893	Spring, retaining bulb		2	
512987	Plate, retaining light unit		2	
512222	Gasket, body		2	
507086	Screw, securing unit retaining plate		6	
511600	Adaptor		2	
605953	Sleeve, terminal		6	
501478	Connector and cable assembly		2	
YF7505	Screw, set } Headlamp		8	
FJ2445/4	Nut } attachment		8	
514579	HEADLAMP ASSEMBLY		2	} Fitted from Body No. 24601CT R.H. Rule of Road, L.H.S. only U.S.A. and Canada
119072	Rim, snap-on		2	
514578	Light unit		2	
512987	Plate, retaining light unit		2	
512222	Gasket, body		2	
507086	Screw, securing unit retaining plate		6	
511600	Adaptor		2	
605953	Sleeve, terminal		6	
501478	Connector and cable assembly		2	
YF7505	Screw, set } Headlamp		8	
FJ2445/4	Nut } attachment		8	

Note:- Items marked thus † are available on our Factory Exchange Unit Scheme.

ELECTRICAL EQUIPMENT

Part No.	Description	Plate No.	No. per Unit	Remarks
512244	HEADLAMP ASSEMBLY		2	} Fitted from Body No. 23836CT and future. R.H. Rule of Road, L.H.S. only. France, Vietnam and French Countries
119072	Rim, snap-on		2	
512241	Light unit		2	
510219	Bulb, 12 v., 45/50 w. 'Yellow'		2	
510893	Spring, retaining bulb		2	
512987	Plate, retaining light unit		2	
512222	Gasket, body		2	
511600	Adaptor		2	
507086	Screw, securing unit retaining plate		6	
605953	Sleeve, terminal		6	
501478	Connector and cable assembly		2	
YF7505	Screw, set } Headlamp		8	
FJ2445/4	Nut } attachment		8	
512224	HEADLAMP ASSEMBLY		2	} Fitted from Body No. 23836CT R.H. Rule of Road, L.H.S. only, Austria
119072	Rim, snap-on		2	
512241	Light unit		2	
512987	Plate, retaining light unit		2	
507086	Screw, securing unit retaining plate		6	
510218	Bulb, 12 v., 45/50 w.		2	
510893	Spring, retaining bulb		2	
512222	Gasket, body		2	
511600	Adaptor		2	
605953	Sleeve, terminal		6	
501478	Connector and cable assembly		2	
YF7505	Screw, set } Headlamp		8	
FJ2445/4	Nut } attachment		8	
512226	HEADLAMP ASSEMBLY		2	} Fitted from Body No. 24547CT and future. L.H. Rule of Road, L.H.S. only, Sweden
119072	Rim, snap-on		2	
512242	Light unit		2	
512987	Plate, retaining light unit		2	
510218	Bulb, 12 v., 45/50 w.		2	
510893	Spring, retaining bulb		2	
507086	Screw, securing unit retaining plate		6	
512222	Gasket, body		2	
511600	Adaptor		2	
605953	Sleeve, terminal		6	
501478	Connector and cable assembly		2	
YF7505	Screw, set } Headlamp		8	
FJ2445/4	Nut } attachment		8	

Note:- Items marked thus † are available on our Factory Exchange Unit Scheme

ELECTRICAL EQUIPMENT

Part No.	Description	Plate No.	No. per Unit	Remarks
509990	HEADLAMP ASSEMBLY (Asymmetric) (European L.H.S.)		2	Fitted up to Body No.
510891	Rim		2	
59781	Excluder, dust		2	
510892	Light unit		2	
510893	Spring, retaining bulb		2	
510894	Bulbholder		2	
509847	Bulb, main		2	
502291	Plate, retaining light unit		2	
503537	Rim, unit seating		2	
507086	Screw, unit rim		6	
510895	Gasket, rubber		2	
507087	Screw, c/w washer		6	
503540	Spring, trimmer		6	
HEADLAMP ATTACHMENTS				
YF7406	Screw, set		6	
FC2804	Nut, Simmonds		6	
WP0004	Washer, plain		6	
61282	Sleeve, lead and cap assembly		2	Fitted up to Body No. 15053CT only, R.H.S., and Commission No. CT11307 only, L.H.S.
133202	SIDE LAMP	AE14	2	Not required for Switzerland and Belgium
510897	Rim and lens	AE15	2	
510898	Ring, sliding	AE16	2	
510899	Gasket, seating, lens	AE17	2	
506619	Interior, bulb holder	AE18	2	
501436	Bulb	AE19	2	
510900	Gasket, seating, lamp	AE20	2	
133206	Cable, earth	AE21	2	Fitted from Body No. 15054CT, R.H.S., and Commission No. CT11308, L.H.S., and future
131359	Lead, feed (Black)		2	Fitted up to Body No. 15053CT only, R.H.S., and Commission No. CT11307, L.H.S. only
510929	Sleeve	AE22	2	
YA0324	Screw, self-tapping	} Side lamp fixing	4	
FJ2442	Nut, fix		4	

Note:—Items marked thus † are available on our Factory Exchange Unit Scheme

ELECTRICAL EQUIPMENT

Part No.	Description	Plate No.	No. per Unit	Remarks
133203	FRONT FLASHER LAMP (Amber Lens)	AE23	2	Not required for Switzerland and Belgium
505884	Rim	AE24	2	
505887	Glass (Amber)	AE25	2	
508165	Bulb holder and plate	AE26	2	
501823	Interior, bulb holder		2	
502379	Bulb	AE27	2	
505883	Body	AE28	2	
YA0384	Screw, self-tapping		6	
FJ2442	Nut, fix		6	
507298	Lead, feed, Green		2	
131359	Lead, feed, Black		2	
133206	Lead, feed, Black		2	
504806	Sleeve		2	Fitted from Body No. 15054CT, R.H.S. and Commission No. CT11308, L.H.S., and future
600395	Grommet		2	Fitted from Body No. 15054CT, R.H.S., and Commission No. CT11308, L.H.S., and future
612709	Disc, blanking, side lamp aperture		4	} Switzerland and Belgium only
612930	Bracket, retainer		2	
YA0324	Screw		2	
502406	Screw		2	
WVP0142	Washer, plain		4	
FJ2446	Nut, fix		6	

Note:—Items marked thus † are available on our Factory Exchange Unit Scheme

ELECTRICAL EQUIPMENT

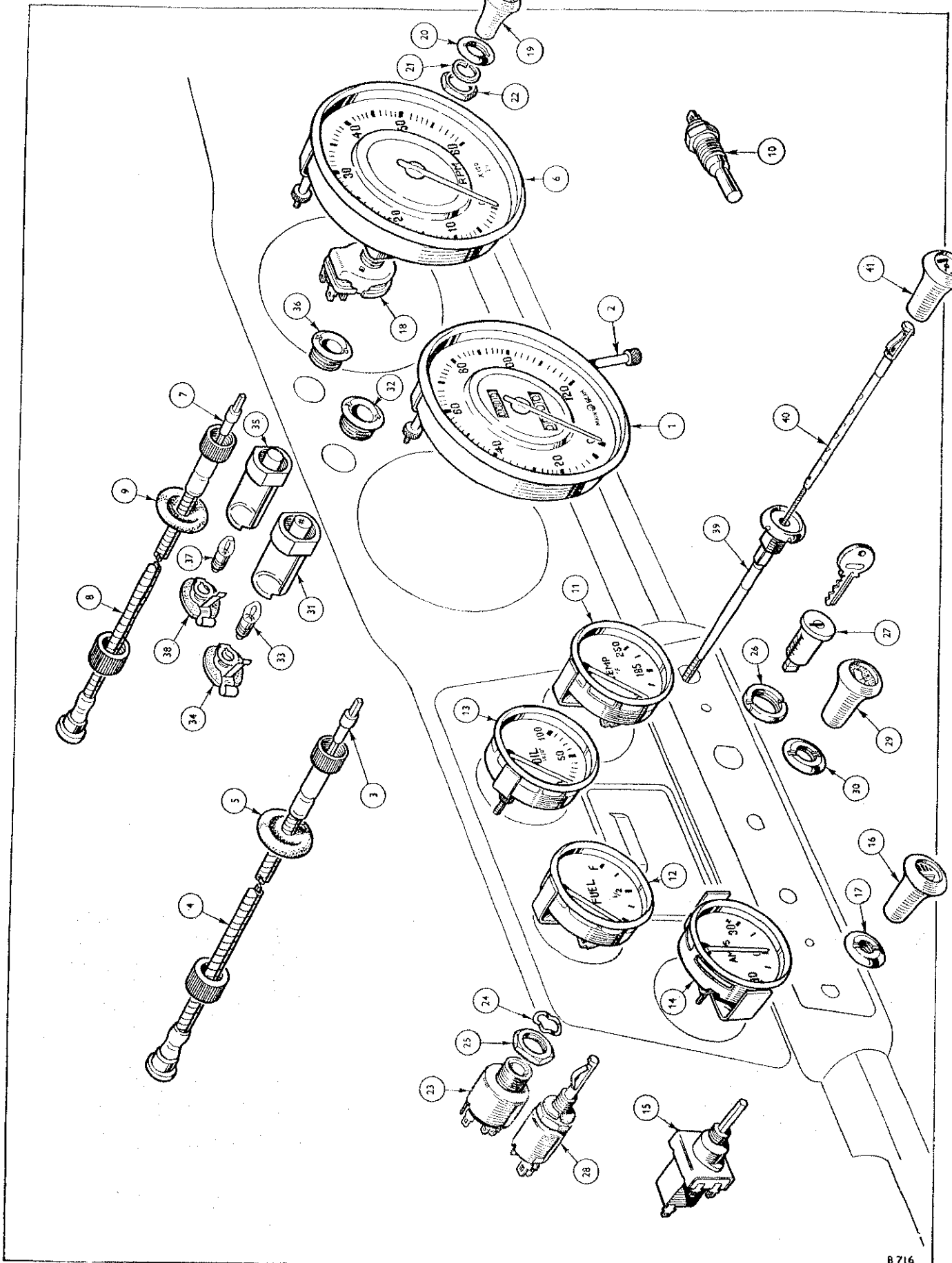
Part No.	Description	Plate No.	No. per Unit	Remarks
133205	FRONT SIDE AND FLASHER LAMP (White Lens) (Switzerland only)	AE23	2	
505884	Rim	AE24	2	
505886	Glass (White)	AE25	2	
510901	Bulbholder and plate	AE26	2	
501822	Interior, bulbholder		2	
502287	Bulb	AE27	2	
505883	Body	AE28	2	
YA0384	Screw, self-tapping		6	
FJ2442	Nut, fix		6	
507299	Lead, feed, Red		2	
507298	Lead, feed, Green		2	
131359	Lead, earth		2	Fitted up to Body No. 15053CT only, R.H.S., and Commission No. CT11307 only, L.H.S.
133206	Lead, earth		2	Fitted from Body No. 15054CT R.H.S., and Commission No. CT11308 L.H.S., and future
504806	Sleeve		2	
133204	FRONT FLASHER LAMP (White Lens) (U.S.A., Canada & Italy only)	AE23	2	Fitted up to Body No. 30348CT only
505884	Rim	AE24	2	
505886	Glass (White)	AE25	2	
508165	Bulbholder and plate	AE26	2	
501823	Interior, bulbholder		2	
502379	Bulb	AE27	2	
505883	Body	AE28	2	
YA0384	Screw, self-tapping		6	
FJ2442	Nut, fix		6	
507298	Lead, feed, Green		2	
131359	Lead, feed, Black		2	Fitted up to Body No. 15053CT only, R.H.S., and Commission No. CT11307 only, L.H.S.
133206	Lead, feed, Black		2	Fitted from Body No. 15054CT R.H.S., and Commission No. CT11308 L.H.S., and future
504806	Sleeve		2	Fitted up to Body No. 15053CT R.H.S., and Commission No. CT11307, L.H.S. only
140690	FRONT FLASHER LAMP (White Lens) AND CABLE ASSEMBLY (U.S.A., Canada & Italy only)		2	} Fitted from Body No. 30349CT and future
514421	Lens (White)		2	
514422	Screw, lens fixing		4	
514065	Gasket, lens seating		2	
510907	Interior bulbholder		2	
513730	Grommet, cable entry		2	
605953	Sleeve, terminal		2	
616416	Gasket, lamp seating		2	
502379	Bulb		2	
133206	Lead, earth (Black)		2	
507298	Lead, feed (Green)		2	
YZ3305	Screw, S/T		6	
FJ2442/9	Nut, spire		6	

Note:—Items marked thus † are available on our Factory Exchange Unit Scheme

ELECTRICAL EQUIPMENT

Part No.	Description	Plate No.	No. per Unit	Remarks
208208	STOP TAIL FLASHER AND REFLEX LAMP (All markets except U.S.A. & Canada)	AE29	2	
510902	Lens (Amber/Red)	AE30	2	
510903	Bezel	AE31	2	
510904	Screw, fixing lens (top and centre)	AE32	4	
510905	Screw, fixing lens (bottom)	AE33	2	
503534	Washer, retaining screw	AE34	6	
510906	Gasket, seating lens	AE35	2	
510907	Interior, flasher	AE36	2	
502379	Bulb, flasher	AE37	2	
508545	Interior, stop tail	AE38	2	
502287	Bulb, stop tail	AE39	2	
	Base	AE40	Not serviced	
133364	Gasket, seating base	AE41	4	
131225	Sleeve		2	
208207	STOP TAIL FLASHER AND REFLEX LAMP (U.S.A. & Canada only)	AE29	2	
510910	Lens (Red/Red)	AE30	2	
510903	Bezel	AE31	2	
510904	Screw, fixing, lens (top and centre)	AE32	4	
510905	Screw, fixing, lens (bottom)	AE33	2	
503534	Washer, retaining screw	AE34	6	
510906	Gasket, seating lens	AE35	2	
510907	Interior, flasher	AE36	2	
502379	Bulb, flasher	AE37	2	
508545	Interior, stop tail	AE38	2	
502287	Bulb, stop tail	AE39	2	
	Base	AE40	Not serviced	
133364	Gasket, seating lens	AE41	4	
131225	Sleeve		2	
132028	LINE FUSE—TAIL LAMP (Germany only)		2	
128881	NUMBER PLATE ILLUMINATION LAMP	AE42	2	
131465	Rim, cowl	AE43	2	
510875	Glass	AE44	2	
511029	Bulb	AE45	2	
510907	Interior, bulbholder	AE46	2	
	Bulbholder	AE47	Not serviced	
510912	Body	AE48	2	
611406	Clip, lead to bumper bracket	AE49	2	
600395	Grommet, lead to boot side panel		2	
509355	Screw, self-tapping	AE50	4	} Lamp cowi to overiders
613023	Nut, spire			
612189	Plinth, backing number plate lamp			as req'd. } Fitted up to Commission No.
509191	Screw, plinth and lamp cowl attachment			as req'd. } CT6402 only

Note:—Items marked thus † are available on our Factory Exchange Unit Scheme



8716

PLATE AF

TRIUMPH SPORTS CAR 20 TR4

ELECTRICAL EQUIPMENT

Part No.	Description	Plate No.	No. per Unit	Remarks
208062	†SPEEDOMETER—MILE	AF1	1	} Fitted up to Body No. 15053CT, R.H.S., and Commission No. CT11307, L.H.S. only
208063	†SPEEDOMETER—KILO		1	
209182	†SPEEDOMETER—MILE	}	1	} Fitted from Body No. 15054CT, R.H.S., and Commission No. CT11308, L.H.S., and future
209183	†SPEEDOMETER—KILO		1	
208066	†SPEEDOMETER—MILE	AF1	1	} Fitted up to Body No. 15053CT, R.H.S., and Commission No. CT11307, L.H.S. only
208067	†SPEEDOMETER—KILO		1	
209184	†SPEEDOMETER—MILE	}	1	} Fitted from Body No. 15054CT, R.H.S., and Commission No. CT11308, L.H.S., and future
209185	†SPEEDOMETER—KILO		1	
208655	†SPEEDOMETER—MILE	AF1	1	} Fitted up to Body No. 13298CT, R.H.S., and Commission No. CT11307, L.H.S. only
208656	†SPEEDOMETER—KILO		1	
209188	†SPEEDOMETER—MILE	}	1	} Fitted from Body No. 15054CT, R.H.S., and Commission No. CT11308, L.H.S., and future
209189	†SPEEDOMETER—KILO		1	
208657	†SPEEDOMETER—MILE	AF1	1	} Fitted up to Body No. 15053CT, R.H.S., and Commission No. CT11307, L.H.S. only
208658	†SPEEDOMETER—KILO		1	
209186	†SPEEDOMETER—MILE	}	1	} Fitted from Body No. 15054CT, R.H.S., and Commission No. CT11308, L.H.S., and future
209187	†SPEEDOMETER—KILO		1	
502268	Glass, convex, speedometer		1	
503465	Trip, flexible, speedometer	AF2	1	
503466	Screw, trip, flex attachment		1	
59492	Bulb, speedometer illumination		1	
508139	Bulbholder, speedometer illumination		1	
SPEEDO CABLE				
504948/1	Cable, inner	AF3	1	} Fitted up to Commission No. CT1230 only
504948/O	Cable, outer	AF4	1	
504607/1	Cable, inner	}	1	} Fitted from Commission No. CT1231 and future
504607/O	Cable, outer		1	
504948/1	Cable, inner	}	1	
504948/O	Cable, outer		1	
602037	Grommet, speedo cable	AF5	1	
510969	Clip	}	1	
YA0583	Screw, self-tapping		1	
551490	Clip	}	1	
YA0583	Screw, self-tapping		1	

Note:—Items marked thus † are available on our Factory Exchange Unit Scheme

ELECTRICAL EQUIPMENT

Part No.	Description	Plate No.	No. per Unit	Remarks
208090	†REV. COUNTER	AF6	1	Fitted up to Body No. 15053CT, R.H.S., and Commission No. CT11307, L.H.S. only
209194	†REV. COUNTER		1	Fitted from Body No. 15054CT, R.H.S., and Commission No. CT11308, L.H.S., and future
502268	Glass, rev. counter		1	
59492	Bulb, counter illumination		1	
508139	Bulbholder, rev. counter illumination		1	
504617/I	Cable, rev. counter, R.H.S. { Inner	AF7	1	} Fitted up to Commission No. CT7623 only
504617/O		AF8	1	
510234/I	Cable, rev. counter, L.H.S. { Inner		1	
510234/O			1	
602037	Grommet	AF9	1	
100148	Clip, cable (Cable to battery carrier hook)		1	
507223/I	Cable, rev. counter, R.H.S. { Inner		1	} Fitted from Commission No. CT7624 and future
507223/O			1	
131062	TEMPERATURE TRANSMITTER	AF10	1	Fitted up to Body No. 15053CT R.H.S., and Commission No. CT11307, L.H.S. only
134435	TEMPERATURE TRANSMITTER		1	Fitted from Body No. 15054CT R.H.S. and Commission No. CT11308, L.H.S., and future
131060	†TEMPERATURE GAUGE (Fahrenheit)	AF11	1	Fitted up to Body No. 15053CT, R.H.S. and Commission No. CT11307, L.H.S. only
131061	†TEMPERATURE GAUGE (Centigrade)		1	Fitted up to Body No. 15053CT R.H.S., and Commission No. CT11307, L.H.S. only
133119	†TEMPERATURE GAUGE (Centigrade)		1	Fitted from Body No. 15054CT, R.H.S., and Commission No. CT11308, L.H.S., and future
502269	Glass, convex		1	

Note:—Items marked thus † are available on our Factory Exchange Unit Scheme

ELECTRICAL EQUIPMENT

Part No.	Description	Plate No.	No. per Unit	Remarks
130539	†PETROL GAUGE	AF12	1	Fitted up to Body No. 15053CT, R.H.S., and Commission No. CT11307, L.H.S. only
133118	†PETROL GAUGE		1	Fitted from Body No. 15054CT, R.H.S., and Commission No. CT11308, L.H.S., and future
502269	Glass, convex		1	
106966	†OIL PRESSURE GAUGE (lbs)	AF13	1	Fitted up to Body No. 15053CT, R.H.S., and Commission No. CT11307, L.H.S. only
133120	†OIL PRESSURE GAUGE (lbs)		1	Fitted from Body No. 15054CT, R.H.S., and Commission No. CT11308, L.H.S., and future
110896	†OIL PRESSURE GAUGE (kilos)		1	Fitted up to Body No. 15053CT, R.H.S., and Commission No. CT11307, L.H.S. only
113121	†OIL PRESSURE GAUGE (kilos)		1	Fitted from Body No. 15054CT, R.H.S., and Commission No. CT11308, L.H.S., and future
502269	Glass, convex		1	
54902	Washer, leather		1	
125111	AMMETER	AF14	1	Fitted up to Body No. 15053CT, R.H.S., and Commission No. CT11307, L.H.S. only
133117	AMMETER		1	Fitted from Body No. 15054CT, R.H.S., and Commission No. CT11308, L.H.S., and future
136643	Clamp, ammeter (Normal fitment only)		1	
136642	Clamp, ammeter (Veneered fascia panel only)		1	Special Orders only
502269	Glass, convex		1	
59492	Bulb, gauge units illumination		2	
508139	Bulbholder, gauge units illumination		2	

Note:—Items marked thus † are available on our Factory Exchange Unit Scheme

ELECTRICAL EQUIPMENT

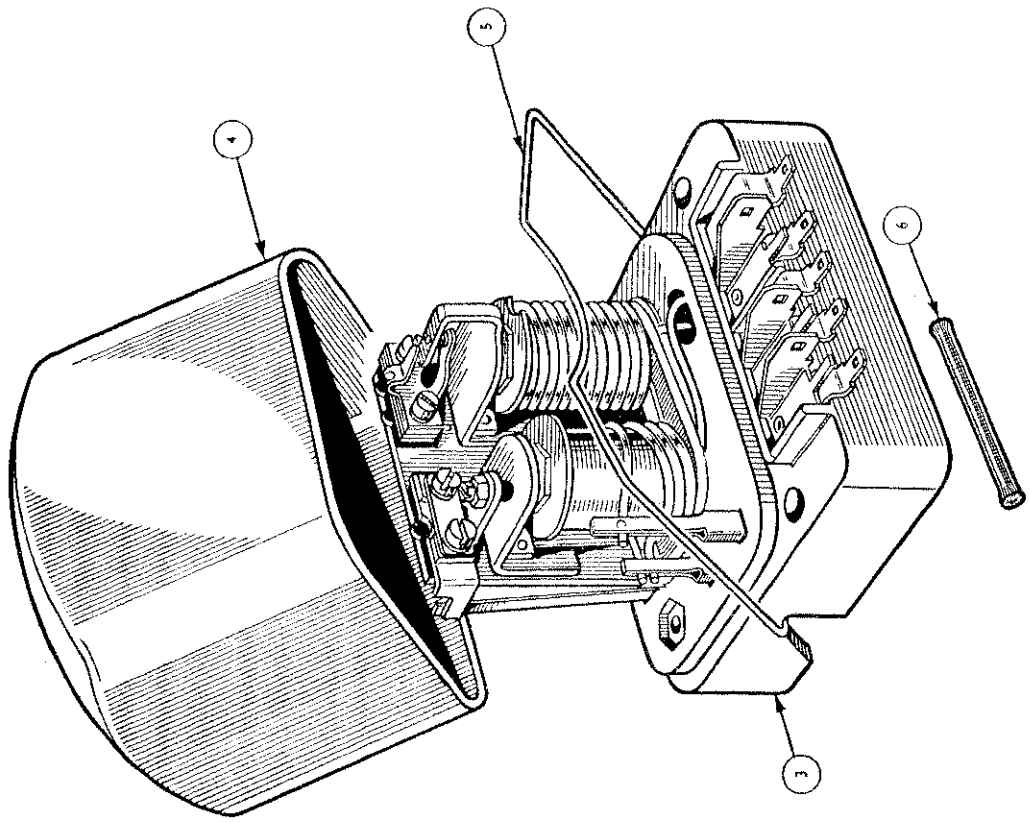
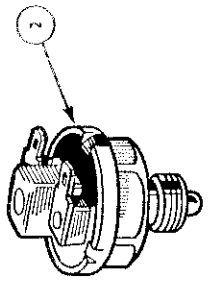
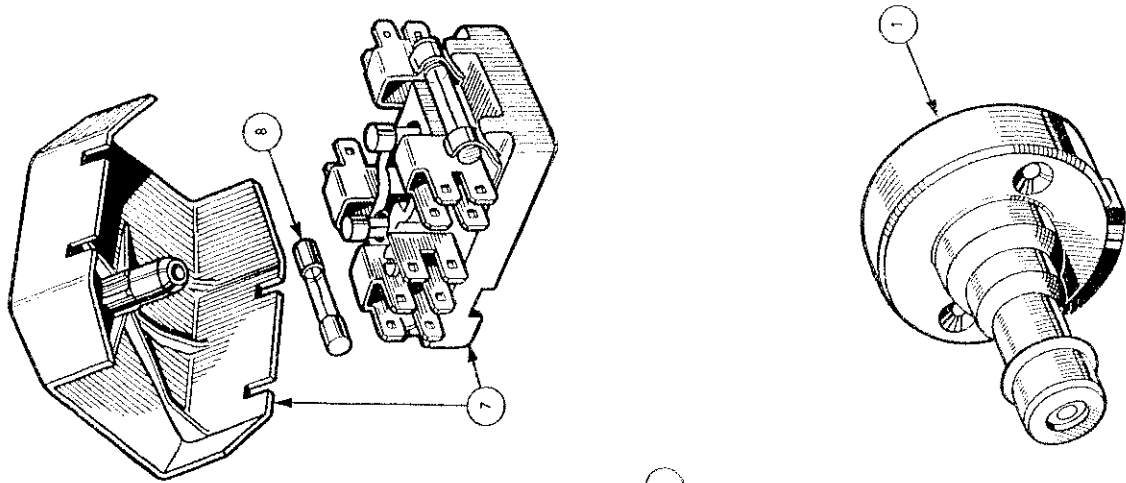
Part No.	Description	Plate No.	No. per Unit	Remarks
131812	LIGHTING SWITCH	AF15	1	
704885	Knob assembly (Side and head lights)	AF16	1	
609795	Bezel, lighting switch	AF17	1	
59445	Washer, fitted in knob		1	
129768	PANEL LIGHT RHEOSTAT SWITCH	AF18	1	
704879	Knob, switch	AF19	1	
59445	Washer, for knob		1	
609795	Bezel	AF20	1	
128088	Washer, spring	AF21	1	
510368	Nut	AF22	1	
127651	IGNITION—STARTER SWITCH	AF23	1	
128087	Washer	AF24	1	
510369	Nut	AF25	1	
609793	Bezel	AF26	1	
554217	Barrel, ignition, locking	AF27	1	
132135	IGNITION—STARTER SWITCH AND STEERING COLUMN LOCKING DEVICE (Germany only)		1	
132116	Lead, extension, ignition (switch to terminal block)		1	
132118	Block, terminal		1	
128484	VOLTAGE STABILIZER		1	

Note:—Items marked thus † are available on our Factory Exchange Unit Scheme

ELECTRICAL EQUIPMENT

Part No.	Description	Plate No.	No. per Unit	Remarks
130544	WINDSCREEN WIPER SWITCH	AF28	1	
704875	Knob	AF29	1	
59445	Washer, rubber, fitted in knob		1	
609933	Bezel	AF30	1	
501347	IGNITION WARNING LIGHT (Red Lens)	AF31	1	
502147	Bezel	AF32	1	
59492	Bulb	AF33	1	
502343	Holder, bulb	AF34	1	
128378	FLASHER WARNING LIGHT (Green Lens)	AF35	1	
502147	Bezel	AF36	1	
59492	Bulb	AF37	1	
502342	Holder, bulb	AF38	1	
	CHOKE CONTROL			
401894	Control, outer	AF39	1	} Fitted up to Engine No. CT16800E and from CT16901E up to CT21470E only } Fitted from Engine No. CT16801E up to CT16900E and from CT21471E and future
401895	Control, inner	AF40	1	
401900	Control, outer		1	
401901	Control, inner		1	
704873	Knob, control cable	AF41	1	
59445	Washer, rubber, fitted in knob		1	
61917	Grommet, control cable to dash		1	

Note:—Items marked thus † are available on our Factory Exchange Unit Scheme



B717

PLATE AG

TRIUMPH SPORTS CAR 20 TR4.

ELECTRICAL EQUIPMENT

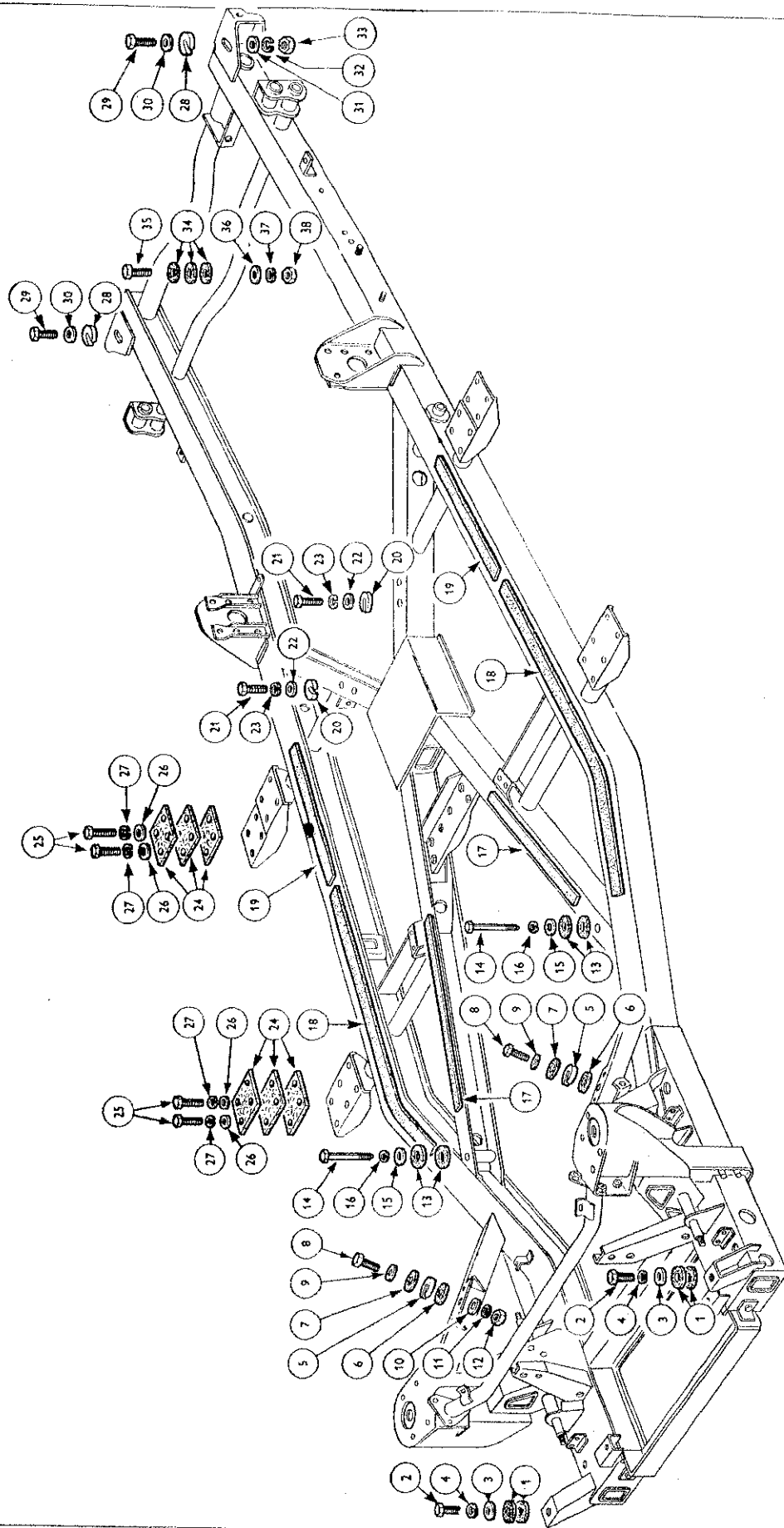
Part No.	Description	Plate No.	No. per Unit	Remarks
122759	FOOT DIPPING SWITCH	AG1	1	} Fitted up to Commission No. only
VX8509	Screw, set, dipswitch to bulkhead, R.H.S. only		2	
609384	Bracket, dipswitch support		1	} Fitted up to Commission No. only
YF7528	Screw, self-tapping	} Left hand steering only	2	
FN2045	Nut, fix		2	
HU0505	Screw, set		2	
WP0138	Washer, plain		2	
	} Dipswitch to bracket			
	} Dipswitch bracket to bulkhead end panel			
137630	FOOT DIPPER SWITCH		1	} Fitted from Commission No. and future
PX0504	Setscrew		2	
WL0205	Washer, lock		2	
PX0504	Setscrew, dipswitch to bracket, L.H.S. only		2	
126845	STOP LAMP SWITCH		1	
127380	REVERSE LAMP SWITCH	AG2	1	Special Order only
132460	CONTROL BOX	AG3	1	
500729	Cover	AG4	1	
59776	Clip	AG5	1	
59777	Resistance	AG6	1	
TP0509	Screw, set		2	} Control box attachment
WL0205	Washer, lock		2	
125189	FUSE BOX	AG7	1	
58465	Fuse, 35	AG8	4	} 2 fitted and 2 spare
YA0304	Screw, self-tapping		1	
HN2005	Nut		1	
116228	BATTERY 12 VOLT 51 AMP.		1	Home only
505367	BATTERY 12 VOLT 51 AMP.		1	Export
116229	BATTERY 12 VOLT 51 AMP. (DRY)		1	Export
142762	BATTERY 12 VOLT HEAVY DUTY (DRY CHARGED)		1	Canada only
610798	Rod, battery fixing		2	
601898	Angle, battery retaining		1	
YN2907	Nut, nyloc	} Securing battery retaining angle	2	
501794	Washer		2	
602945	Rubber, battery shelf		4	
305321	MAIN HARNESS—R.H. STEERING		1	Fitted up to Commission No. CT14913 only

Note:—Items marked thus † are available on our Factory Exchange Unit Scheme

ELECTRICAL EQUIPMENT

Part No.	Description	Plate No.	No. per Unit	Remarks
MAIN HARNESS (continued)				
305610	MAIN HARNESS—R.H. STEERING		1	} Fitted from Commission No. CT14914 and future
134899	Lead, earth, instruments		1	
305281	MAIN HARNESS—L.H. STEERING		1	Fitted up to Commission No. CT9983 only
305611	MAIN HARNESS—L.H. STEERING		1	Fitted from Commission No. CT9984 to Commission No. CT26999
306645	MAIN HARNESS—L.H. STEERING		1	} Fitted from Commission No. CT27000 and future
139033	Extension, lead, stop light switch		1	
510691	Clip, wiring, attaching side and headlamp wiring		6	
123759	Blade, earth, wiper motor earth		1	
102137	Clip, earth, head, side and flasher lamps		3	Fitted up to Body No. 15053CT, R.H.S., and Commission No. CT13298, L.H.S. only
102137	Clip, earth, head, side and flasher lamp		2	} Fitted from Body No. 15054CT, R.H.S., and Commission No. CT13299, L.H.S., and future
133207	Sleeve, side and flasher lamps		2	
137216	Sleeve, side, head and flasher lamps		2	
YA0503	Screw, self-tapping, securing earth clip		2	
600395	Clip, number plate lamp lead		2	
611406	Grommet, number plate lamp lead		2	
508726	Clip, temperature gauge lead to engine lifting eye		1	
503213	Sleeve, wiring clip		47	
131831	Strap, wiring on wheelarch panel		3	} Fitted up to Body No. 15053CT, R.H.S., and Commission No. CT13298, L.H.S. only
611793	Clip, cable, front wing drain channel		2	
60527	Cleat, cable		1	} Fitted from Body No. 15054CT, R.H.S., and Commission No. CT13299, L.H.S., and future
505155	Clip, cable		2	
134301	Lead, earth, steering box to rack 'U' bolt		1	} Fitted from Commission No. 20265CT and future
WN0708	Washer, shakeproof, securing lead		2	
510159	ENGINE LEADS GROUP		1	
125957	Lead, coil to distributor		1	
131114	Lead, starter solenoid to starter		1	
131116	Lead, engine to earth		1	
131115	Lead, battery 'Negative' to solenoid		1	
131113	Lead, battery 'Positive' to earth		1	

Note:—Items marked thus † are available on our Factory Exchange Unit Scheme



B718

PLATE AH

TRIUMPH SPORTS CAR 20 TR4

BODY AND FITTINGS

Part No.	Description	Plate No.	No. per Unit	Remarks
565759	BODY COMPLETE—PAINTED AND TRIMMED COMPLETE WITH SEATS		1	
950113	BODY SHELL—PRIME FINISH R.H. STEERING		1	
567889	BODY COMPLETE—PAINTED AND TRIMMED LESS SEATS		1	
950112	BODY SHELL—PRIME FINISH L.H. STEERING		1	
BODY MOUNTING				
601994	Pad, mounting, front	AH1	4	
HU0808	Screw, set	AH2	2	
WP0185	Washer, plain	AH3	2	} Body mounting, front
WL0208	Washer, lock	AH4	2	
CD26326	Pad, mounting, (Alum.), front side brace	AH5	2	
608836	Pad, mounting, (Kautex), front side brace member	AH6	2	
601994	Pad, mounting, (Kautex), front side brace member	AH7	2	
HU0920	Screw, set	AH8	2	
WM0079	Washer, plain	AH9	2	} Body mounting, front side brace member attachment
WP0009	Washer, plain	AH10	2	
WL0209	Washer, lock	AH11	2	
HN2009	Nut	AH12	2	
601994	Pad, mounting, cruciform front member	AH13	4	
HB0832/P	Bolt	AH14	2	} Body mounting, cruciform front member
WP0185	Washer, plain	AH15	2	
WL0208	Washer, lock	AH16	2	
601995/1	Strip, protection, cruciform front member	AH17	2	
601995/2	Strip, protection, side member, front	AH18	2	
601995/1	Strip, protection, side member, rear	AH19	2	
CD26326	Pad, mounting, (Alum.), cruciform rear member	AH20	2	
HU0811/P	Screw, set	AH21	2	} Body mounting, cruciform rear member
WP0185	Washer, plain	AH22	2	
WL0208	Washer, lock	AH23	2	
611732	Pad, mounting, tube ends	AH24	12	
HU0810/P	Screw, set	AH25	16	} Body mounting, tube ends
WP0185	Washer, plain	AH26	16	
WL0208	Washer, lock	AH27	16	
CD26326	Pad, mounting (Alum.), rear	AH28	2	
HU0810	Screw, set	AH29	2	
WP0019	Washer, plain	AH30	2	} Body mounting, rear
WP0185	Washer, plain	AH31	2	
YN2908	Nut, nyloc	AH33	2	
601994	Pad, mounting, spare wheel pan	AH34	3	
HB0817	Bolt	AH35	1	
WP0008	Washer, plain	AH36	1	} Body mounting, spare wheel pan
WQ0308	Washer, lock	AH37	1	
HN2008	Nut	AH38	1	

Note:—Items marked thus † are available on our Factory Exchange Unit Scheme

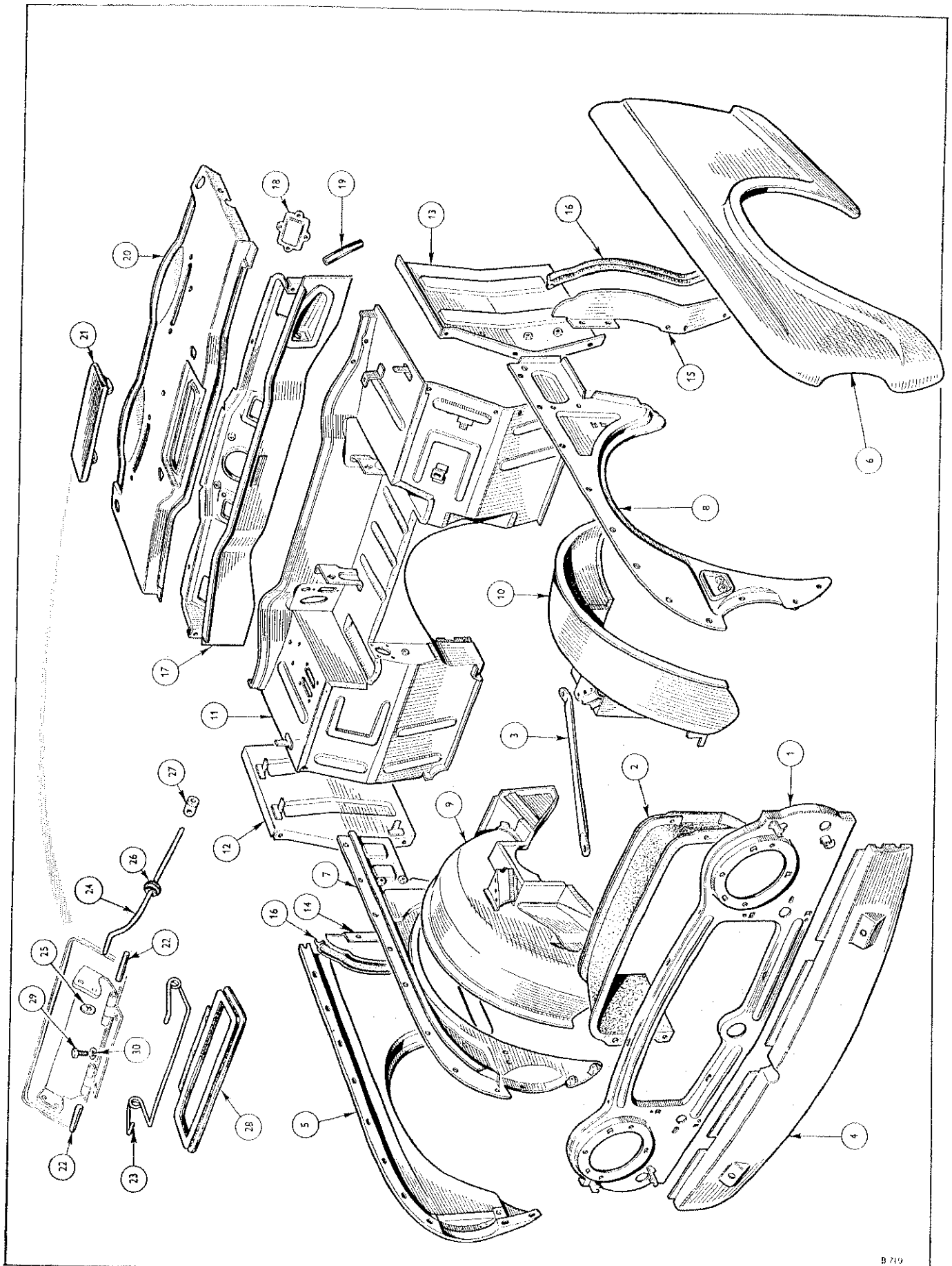


PLATE A.J.

BODY AND FITTINGS

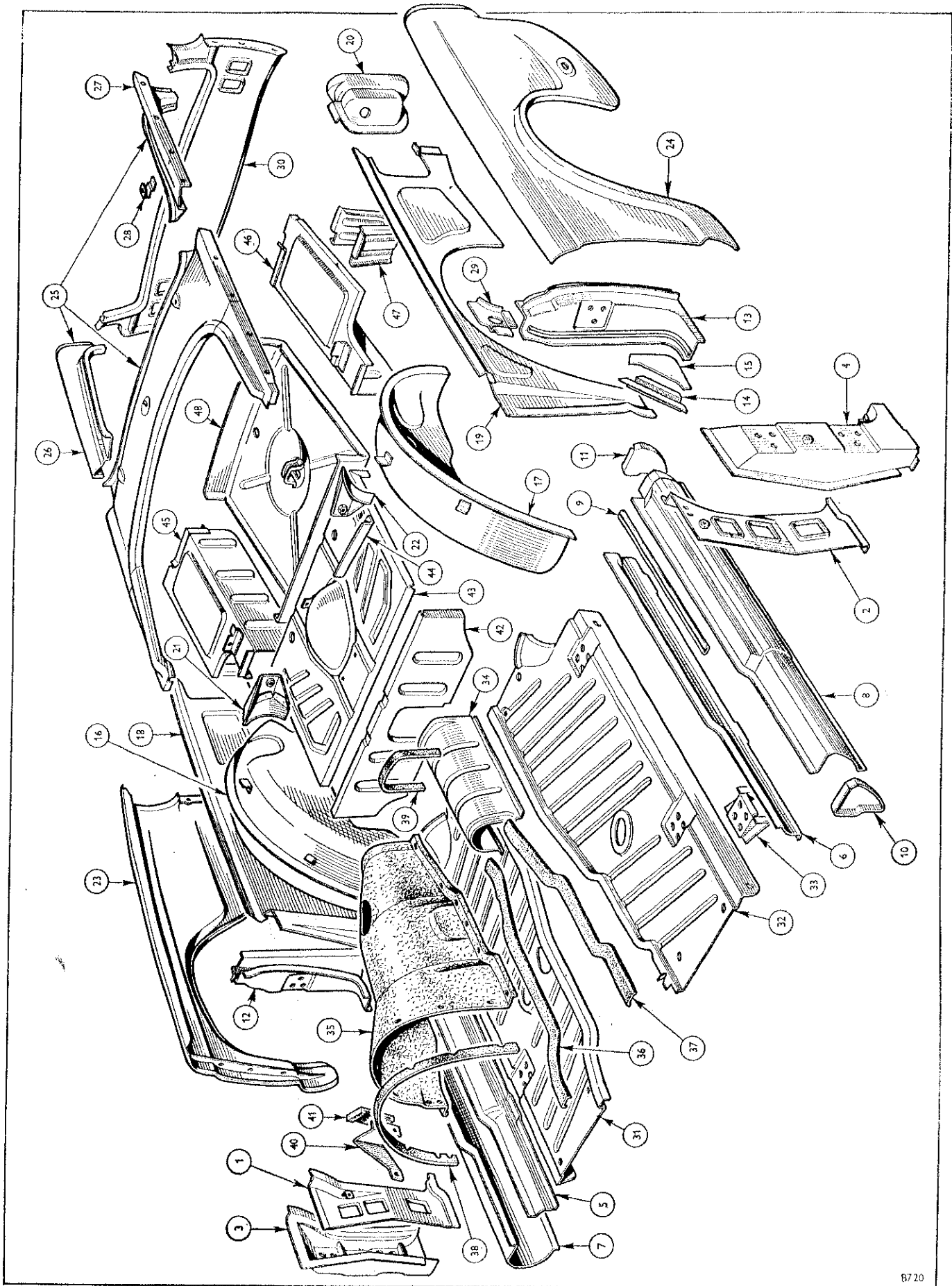
Part No.	Description	Plate No.	No. per Unit	Remarks
850618	FRONT UPPER VALANCE ASSEMBLY	AJ1	1	
850435	RADIATOR DUCT	AJ2	1	
YJ2544	Screw		7	Fitted up to Commission No. CT15536 only
YJ2544	Screw		5	
YJ2546	Screw		2	Fitted from Commission No. CT15537 and future
FJ2445	Nut, fix		7	
WP0138	Washer, plain		7	
750206	Rod, stay, front upper valance	AJ3	1	R.H.
750205	panel to horn bracket		1	
HU0704	Screw, set		2	Stay rods to front upper valance
WQ0307	Washer, lock		2	
HN2007	Nut		2	Stay rod to horn bracket
HU0704	Screw, set		2	
WQ0307	Washer, lock		2	
850406	FRONT VALANCE PANEL	AJ4	1	
950110	FRONT WING ASSEMBLY	R.H.	AJ5	1
950109		L.H.	AJ6	1
850458	Panel assembly, front wing filler	R.H.		1
850457		L.H.		1
HU0706P	Screw, set		6	Front wing assembly to 'A' post
WM0057	Washer, plain		6	
WQ0307	Washer, lock		6	Front wing assembly to sill panel
UL2705	Bolt, acme		6	
WP0007	Washer, plain		6	Front wing to closing panel
FA3058	Nut, spire		6	
650307	Screw, acme		14	Front wing to front upper valance panel
FA3058	Spire, fix		14	
HU0706P	Screw, set		4	Front wing forward edge fixings
WP0007	Washer, plain		4	
WQ0307	Washer, lock		4	Front wing to front valance panel
650307	Screw, acme		2	
FN2059	Nut, spire		2	
HU0706/P	Screw, set		4	
WP0007	Washer, plain		4	
850445	FRONT WHEELARCH CLOSING PANEL ASSEMBLY	R.H.	AJ7	1
850444		L.H.	AJ8	1
				Fitted up to Body No. 37689CT only
808824	FRONT WHEELARCH CLOSING PANEL ASSEMBLY	R.H.		1
808823		L.H.		1
				Fitted from Body No. 37690CT and future
850453	FRONT WHEELARCH ASSEMBLY	R.H.	AJ9	1
850452		L.H.	AJ10	1

Note:—Items marked thus † are available on our Factory Exchange Unit Scheme

BODY AND FITTINGS

Part No.	Description	Plate No.	No. per Unit	Remarks
850351	BULKHEAD ASSEMBLY — R.H. Steering	AJ11	1	
850350	BULKHEAD ASSEMBLY — L.H. Steering		1	
850399	BULKHEAD END PANEL			
850398	ASSEMBLY	{ R.H. AJ12	1	
750151		{ L.H. AJ13	1	
750150	Plate, baffle, bulkhead to front wing	{ R.H. AJ14	1	
650172	Seal, rubber, baffle plate to front wing	{ L.H. AJ15	1	
HU0705P	Screw, set	AJ16	2	
WM0057	Washer, plain		5	
HU0708P	Screw, set		6	Baffle plate to bulkhead
HN2007	Nut		1	
606389	Clip, edge, seal to baffle plate		6	
850451	PLENUM ASSEMBLY	AJ17	1	
650159	Plate, cover, windscreen wiper cable access	AJ18	2	
YA0403	Screw, S/T., cover plate to plenum chamber		8	
650308	Tube, drain, plenum chamber	AJ19	2	
850352	SCUTTLE PANEL ASSEMBLY	AJ20	1	
705242	VENT LID ASSEMBLY	AJ21	1	
563040	Pin, hinge	AJ22	2	
611145	Spring, vent lid	AJ23	1	
611117	Rod, vent mechanism	AJ24	1	
FR1202	Nut, fix, rod to hinge	AJ25	1	
61917	Grommet, on vent rod	AJ26	1	
612219	Clamp, cable	AJ27	1	Rod to vent lever
564832	Screw		1	(For vent lever, see facia details)
611118	Rubber, sealing, vent	AJ28	1	
HU0503	Screw, set	AJ29	3	Vent lid and seal
WL0205	Washer, lock	AJ30	3	to scuttle deflector plate

Note:—Items marked thus † are available on our Factory Exchange Unit Scheme



B720

PLATE AK

TRIUMPH SPORTS CAR 20 TR4

BODY AND FITTINGS

Part No.	Description	Plate No.	No. per Unit	Remarks
BODY SIDE DETAILS				
850344	Post 'A', inner assembly	R.H.	AK1	1
850343		L.H.	AK2	1
850270	Post 'A', outer assembly	R.H.	AK3	1
850269		L.H.	AK4	1
807422	Post 'A', outer assembly	R.H.		1
807421		L.H.		1
564807	Panel, sill, inner assembly	R.H.	AK5	1
850122		L.H.	AK6	1
850282	Panel, sill, outer	R.H.	AK7	1
850281		L.H.	AK8	1
750163	Retainer, seal, sill outer panel		AK9	2
750087	Filler, sill end, front	R.H.		1
750086		L.H.	AK10	1
750048	Filler, sill end, rear	R.H.		1
750047		L.H.	AK11	1
850276	Post 'B' assembly	R.H.	AK12	1
850275		L.H.	AK13	1
611572	Reinforcement, sill to 'B' post	R.H.		1
611571		L.H.	AK14	1
611570	Gusset, sill to 'B' post		AK15	2
850426	Wheelarch assembly, rear	R.H.	AK16	1
850425		L.H.	AK17	1
850121	Panel, closing, rear wheelarch	R.H.	AK18	1
850120		L.H.	AK19	1
850429	Housing, rear lamp, and closing pocket assembly	R.H.		1
850428		L.H.	AK20	1
650166	Bracket, support, tank to wheelarch	R.H.	AK21	1
650165		L.H.	AK22	1
REAR WING ASSEMBLY				
850476	Screw, set	R.H.	AK23	1
850475		L.H.	AK24	1
HU0706P	Washer, plain	Rear wing to 'B' post attachment		6
WM0057				6
WQ0307	Washer, lock	Rear wing to tonneau and deck		6
UL2705				16
WM0057	Screw, acme	Wing to closing panel and rear valance		16
FA3058				16
UL2705	Nut, fix	Wing to rear valance		2
WM0057				2
FA3058	Screw, acme	Wing to sill panel		2
UL2705				2
WM0057	Washer, plain	Clip, wing to lamp housing		4
FA3058				4
UL2705	Nut, fix			4
WM0057				4
FA3058	Screw, acme			2
UL2705				2
WP0007	Washer, plain			2
FA3058				2
608522	Nut, fix			2
				2

} Fitted up to Body No. 22343CT only
} Fitted from Body No. 22344CT and future

Note:—Items marked thus † are available on our Factory Exchange Unit Scheme

BODY AND FITTINGS

Part No.	Description	Plate No.	No. per Unit	Remarks
850346	REAR DECK ASSEMBLY	AK25	1	Fitted up to Commission No. CT5642 only
806820	REAR DECK ASSEMBLY		1	Fitted from Commission No. CT5643 and future
850008	Tonneau side, upper	R.H.	1	
850007		L.H.	1	
650219	Bracket, catch, trunk lid stay	AK28	1	
750180	Gusset, 'B' post, top	R.H.	1	
750179		L.H.	1	
850379	REAR VALANCE ASSEMBLY	AK30	1	
	FLOOR DETAILS			
950097	Floor, panel, main	R.H.	1	
950096		L.H.	1	
750027	Bracket, sill mounting	AK33	4	
850434	Tunnel, propshaft assembly	AK34	1	
805686	Cover assembly, gearbox	AK35	1	Not required when overdrive is fitted
805674	Seal, rubber, cover to floor	R.H.	1	
805673		L.H.	1	
805684	Seal, rubber	Cover to bulkhead centre panel	1	
705758		Cover to propshaft tunnel	1	
HU0706	Screw, set	AK39	10	
612286	Washer, plate		9	
WM0057	Washer, plain		1	
HU0706	Screw, set		7	
WM0057	Washer, plain		7	
FQ3405	Nut, captive and retainer		7	
850397	Heelboard	AK42	1	
566601	Seat, pan assembly, occasional seat	AK43	1	
650272	Bracket, support, squab, bottom	R.H.	1	
650271		L.H.	1	
850471	Floor panel assembly, side, rear	R.H.	1	
850470		L.H.	1	
750022	Bracket, mounting, rear	AK47	2	
850387	Pan, spare wheel assembly	AK48	1	
902649	Cover assembly, gearbox		1	
705851	Plate, cover, overdrive solenoid		1	Only required when overdrive is fitted
YB1404	Screw, S/T		3	
WP0004	Washer, plain		3	
FU2578	Nut, fix		3	

Note:—Items marked thus † are available on our Factory Exchange Unit Scheme

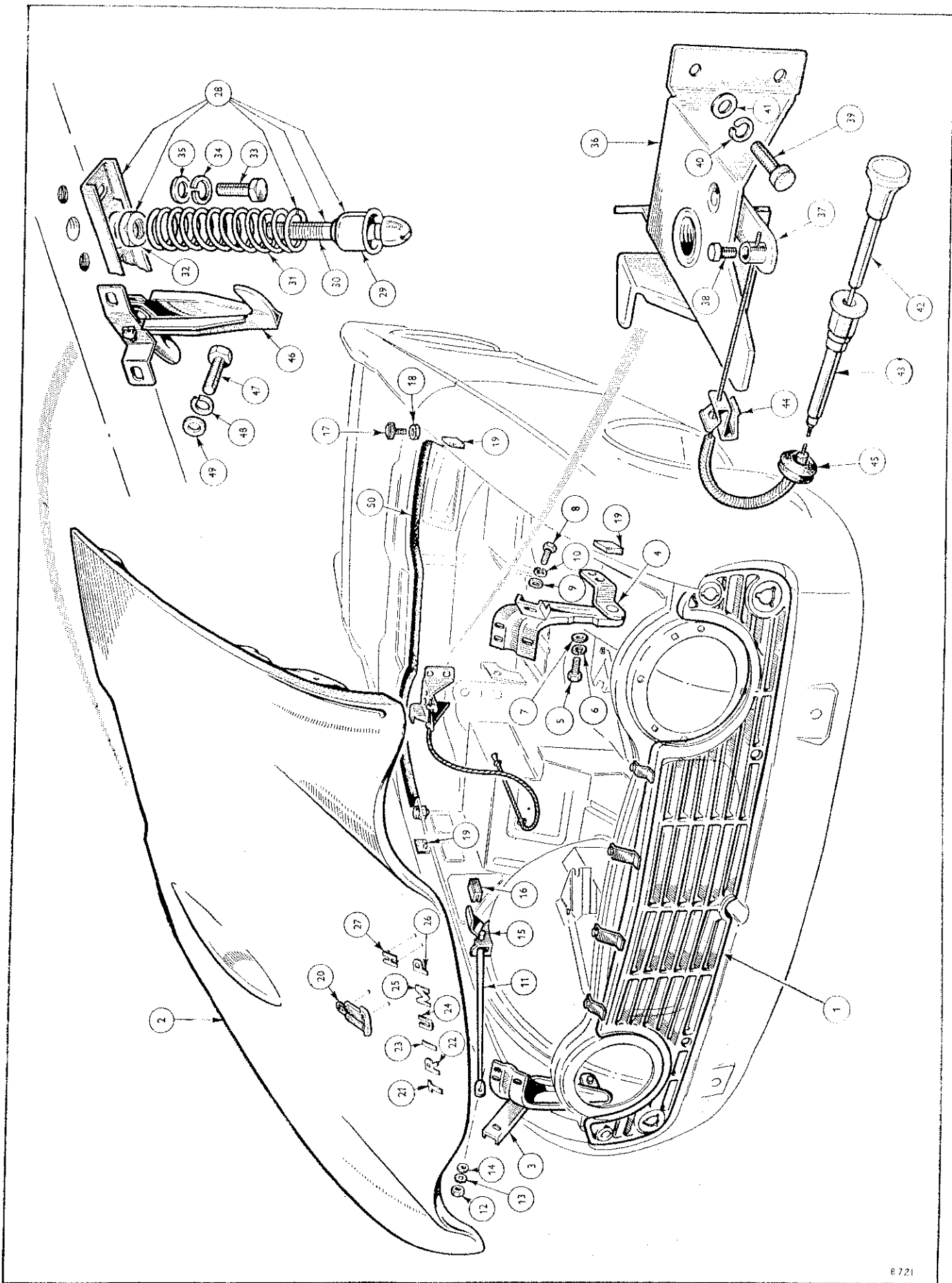


PLATE AL

BODY AND FITTINGS

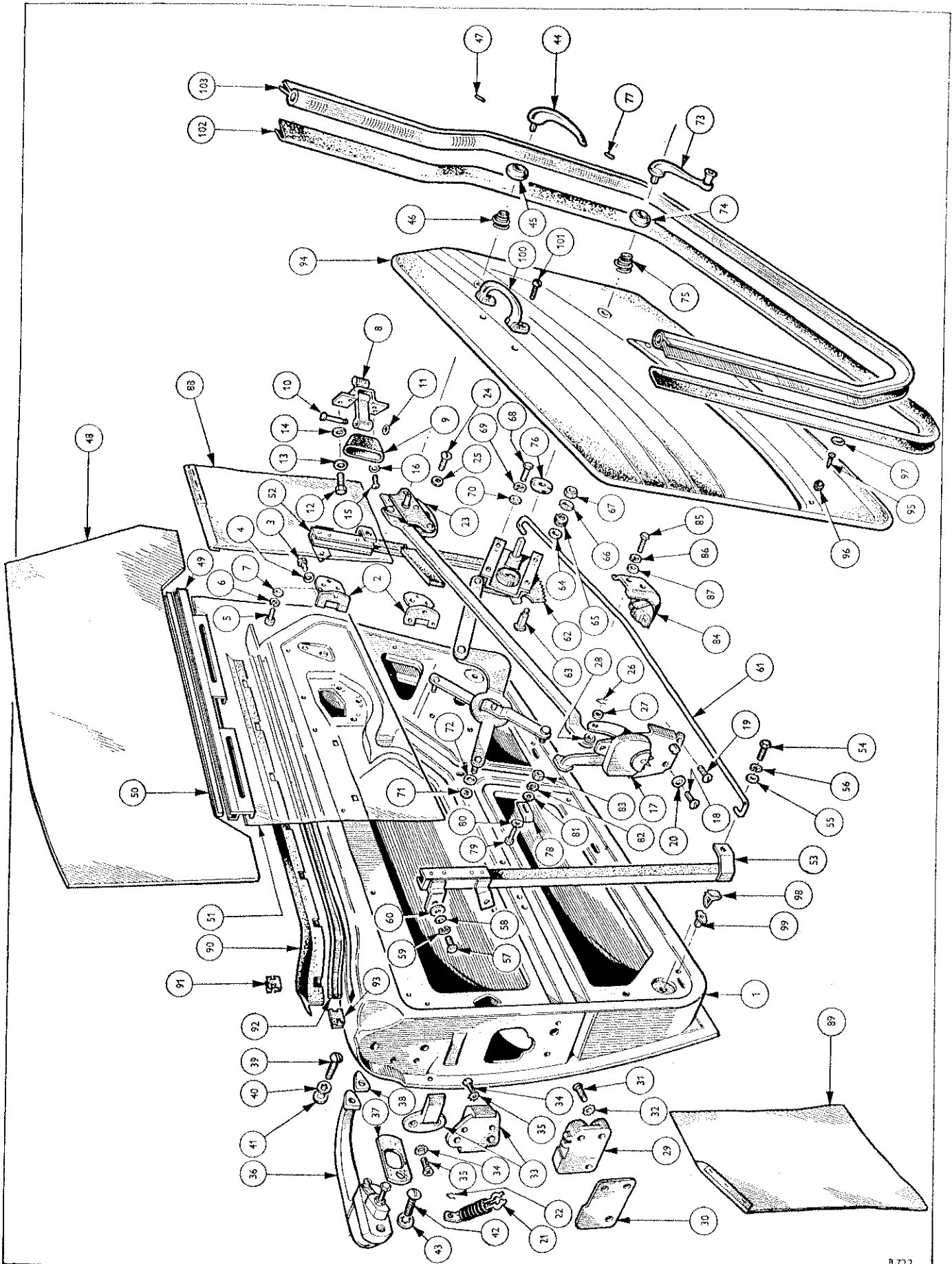
Part No.	Description	Plate No.	No. per Unit	Remarks	
902687	RADIATOR GRILLE ASSEMBLY	AL1	1		
YZ3404	Screw, S/T		6	} Grille to valance panel, upper	
WP0004	Washer, plain		6		
FU2554	Nut, spire		4		
FN2044	Nut, spire		2		
950121	BONNET ASSEMBLY	AL2	1	Fitted up to Commission No. CT6429 only	
903178	BONNET ASSEMBLY		1	Fitted from Commission No. CT6430 up to Body No. 37689CT only	
904130	BONNET ASSEMBLY		1	} Fitted from Body No. 37690CT and future	
616932	Bonnet location pin		2		
JN2108	Nut		4		
WP0139	Washer, plain		4		
750149	Hinge assembly, bonnet	R.H.	AL3		1
750148		L.H.	AL4		1
HU0808P	Screw, set	} Bonnet hinge to closing panel	AL5		4
WP0008	Washer, plain		AL6		4
WQ0308	Washer, lock	} Bonnet hinge to front stiffener assembly	AL7		4
HU0808P	Screw, set		AL8		8
WP0008	Washer, plain	AL9	8		
WQ0308	Washer, lock	AL10	8		
750231	Rod, stay, bonnet	AL11	1		
YN2907	Nut, nyloc	AL12	1		
550026	Washer, waved	} Stay rod to bonnet	AL13		1
WM0057	Washer, plain		AL14		1
750229	Bracket, bonnet stay rod, on R.H. wheelarch	AL15	1		
601663	Buffer, rubber	} Bonnet stay rod bracket	AL16	1	
YA0103	Screw, S/T			1	
650325	Buffer, assembly, bonnet	AL17	2	} Fitted up to Body No. 37689CT only	
502509	Nut, buffer attachment	AL18	2		
611842	Buffer, rubber, bonnet on wheelarch closing panel	AL19	4		
CD24152	Washer, cup		8		
YA0365	Screw, S/T		8		
705950	FRONTAL MEDALLION ASSEMBLY	AL20	1		
FP1012/9	Fix plate, securing medallion to bonnet		2		
703862	'T'	AL21	1	} Letter	
703863	'R'	AL22	1		
703864	'I'	AL23	1		
703865	'U'	AL24	1		
703866	'M'	AL25	1		
703867	'P'	AL26	1		
703868	'H'	AL27	1		
FP1012/9	Fix plate, securing letters to bonnet		14	Fitted up to Commission No. CT8597 only	
612892	Clip, tubular, securing letters to bonnet		14	Fitted from Commission No. CT8598 and future	

Note:—Items marked thus † are available on our Factory Exchange Unit Scheme

BODY AND FITTINGS

Part No.	Description	Plate No.	No. per Unit	Remarks
611625	BONNET FASTENER ASSEMBLY	AL28	1	
611623	Cup, spring, retaining	AL29	1	
611622	Pin, striker	AL30	1	
611624	Spring	AL31	1	
510488	Nut, lock	AL32	1	Alternative to 511049
511049	Nut, bonnet		1	Alternative to 510488
510501	Screw, set	AL33	2	} Bonnet fastener to bonnet rear stiffener
501506	Washer, lock	AL34	2	
510507	Washer, plain	AL35	2	
705718	CATCH PLATE ASSEMBLY — BONNET FASTENER	AL36	1	
611626	Lever, catch, assembly	AL37	1	
HU0504	Screw, set	AL38	1	} Cable attachment
564627	Washer, plain		1	
HN2005	Nut		1	
510504	Screw, set	AL39	4	} Catch plate to bulkhead
510506	Washer, lock	AL40	4	
501795	Washer, plain	AL41	4	
603462	BONNET RELEASE CABLE ASSEMBLY — INNER	AL42	1	
603463	BONNET RELEASE CABLE ASSEMBLY — OUTER	AL43	1	
611768	Clip, bonnet release cable	AL44	1	
61917	Grommet, bonnet release cable, fitted in bulkhead	AL45	1	
612219	Trunnion		1	} Bonnet release cable
564832	Screw, set		1	
611635	BONNET SAFETY CATCH ASSEMBLY	AL46	1	} Fitted up to Body No. only
510503	Screw, set	AL47	2	
505307	Washer, lock	AL48	2	
508875	Washer, plain	AL49	2	
610675	BONNET SEALING RUBBER	AL50	1	

Note:—Items marked thus † are available on our Factory Exchange Unit Scheme



B 722

PLATE AM

TRIUMPH SPORTS CAR 20 TR4

BODY AND FITTINGS

Part No.	Description	Plate No.	No. per Unit	Remarks
950124 950123	DOOR ASSEMBLY { R.H. L.H.	AM1	1 1	} Fitted up to Body No. 22343CT only
903550 903549	DOOR ASSEMBLY { R.H. L.H.		1 1	} Fitted from Body No. 22344CT and future
750075 750074	Reinforcement, hinge assembly and check strap pivot bracket { R.H. L.H.		1 1	} Fitted up to Body No. 22343CT only
707060 707059	Reinforcement assembly, hinge { R.H. L.H.		1 1	} Fitted from Body No. 22344CT and future
650112	Hinge, door assembly	AM2	4	
HU0805	Screw, set	AM3	12	
WQ0308	Washer, lock	AM4	12	
HU0806P	Screw, set	AM5	12	
WQ0308	Washer, lock	AM6	12	
WMO808	Washer, plain	AM7	12	
				} Hinge to door
				} Hinge to body
613914 613913	DOOR CHECKSTRAP ASSEMBLY { R.H. L.H.	AM8	1	} Fitted up to Body No. 22343CT only
650201	Bootee, sealing, 'A' post and door checkstrap holes	AM9	2	
650216	Pin, checkstrap	AM10	2	} Fitted up to Body No. 5023CT only
612244	Pin, checkstrap		2	} Fitted from Body No. 5024CT up to Body No. only
FT2902	Clip	AM11	2	
HU0704	Screw, set	AM12	6	
WN0707	Washer, shakeproof	AM13	6	
WP0122	Washer, plain	AM14	4	
PT0504	Screw, set	AM15	4	
WP0005	Washer, plain	AM16	4	
WP0156	Washer, plain		8	
				} Checkstrap to door pivot bracket
				} Checkstrap bracket to 'A' post, outer
				} Sealing bootee to 'A' post
613622	DOOR CHECKSTRAP ASSEMBLY		2	} Fitted from Body No. and future
610707	Rivet, checkstrap to 'A' post		2	} Fitted up to Body No. 27814CT only
616122	Rivet, checkstrap to 'A' post		2	} Fitted from Body No. 27815CT and future
613623	Seal, door check arm		2	
YB1383	Screw		4	
WP0005	Washer, plain		4	
				} Seal attachment
750170 750169	ROTARY LOCK ASSEMBLY { R.H. L.H.	AM17	1	
PT0503	Screw, M/C	AM18	6	
YB1504	Screw, S/T	AM19	2	
WN0705	Washer, shakeproof	AM20	8	
650251	Link assembly	AM21	2	
604156	Clip, spring	AM22	2	
				} Lock to door inner panel
				} Lock to outside door handle

Note:—Items marked thus † are available on our Factory Exchange Unit Scheme

BODY AND FITTINGS

Part No.	Description	Plate No.	No. per Unit	Remarks
750172	REMOTE CONTROL ASSEMBLY {	R.H.	1	Alternative to 614145
750171		L.H.	1	Alternative to 614144
		AM23		
614145	REMOTE CONTROL ASSEMBLY {	R.H.	1	Alternative to 750172
614146		L.H.	1	Alternative to 750171
PT0504	Screw, M/C } Remote control		6	
WE0605		Washer, shakeproof } to door inner	AM24	6
608703	Clip } Remote control	AM25	6	
550924	Washer, waved } link to	AM26	2	
WP0161	Washer, plain } lock	AM27	2	
		AM28	4	
701354	DOOR LOCK STRIKER DOVETAIL {	R.H.	1	
701353		L.H.	1	
554194	Plate, shim } Door lock striker		2	
KT4708		Screw, M/C } dovetail	AM29	6
WK7607	Washer, shakeproof } attachment	AM30	6	
		AM31	6	
		AM32	6	

Note:—Items marked thus † are available on our Factory Exchange Unit Scheme

BODY AND FITTINGS

Part No.	Description	Plate No.	No. per Unit	Remarks
703741	DOOR RESTRAINT DEVICE ASSEMBLY	AM33	2	
KX4705	Screw, set	AM34	8	} Restraint device attachment
WK7607	Washer, shakeproof	AM35	8	
701561	DOOR HANDLE ASSEMBLY —		1	} R.H.
701560	OUTSIDE	AM36	1	
603393	Washer, seating, large	AM37	2	} Door handle attachment
603394	Washer, seating, small	AM38	2	
PT0503	Screw, M/C	AM39	2	
WN0705	Washer, shakeproof	AM40	2	
WP0028	Washer, plain	AM41	2	
PT0504	Screw, M/C	AM42	2	
WE0605	Washer, shakeproof	AM43	2	
608454	REMOTE CONTROL HANDLE	AM44	2	
650261	Escutcheon	AM45	2	} Remote control handle
603382	Spring, escutcheon	AM46	2	
600832	Pin, handle attachment	AM47	2	
705917	DOOR GLASS AND REGULATOR		1	} R.H.
705916	CHANNEL ASSEMBLY		1	
750135	Glass	AM48	2	
750091	Channel assembly, window regulator		1	} R.H.
750090	Strip, glazing	AM49	1	
562893	Curtain, water, door glass	AM50	2	
611812	Channel, glass, assembly, front	AM51	2	
850431	Channel, glass, assembly, front		1	} R.H.
850430	Screw, set	AM52	1	
HU0704	Screw, set		2	
HU0705P	Washer, plain		2	} Front glass channel assembly to door inner panel
WM0057	Washer, shakeproof		4	
WN0707	Screw, set		4	
510018	Washer, plain		2	
510015	Washer, shakeproof		2	
510016	Washer, spacer		2	
WP0122	Channel, glass, assembly, rear		2	
850433	Screw, set		1	} R.H.
850432	Washer, plain	AM53	1	
HU0705P	Washer, shakeproof	AM54	2	
WM0057	Screw, set	AM55	2	} Rear glass channel assembly to door inner panel
WN0707	Washer, plain	AM56	2	
510018	Washer, shakeproof	AM57	4	
510015	Screw, set	AM58	4	
510016	Washer, plain	AM59	4	
510016	Washer, shakeproof	AM59	4	
WP0122	Washer, spacer	AM60	2	
750166	Rod, tie, glass channel, bottom		1	} R.H.
750165		AM61	1	

Note:—Items marked thus † are available on our Factory Exchange Unit Scheme

BODY AND FITTINGS

Part No.	Description	Plate No.	No. per Unit	Remarks
850401	WINDOW REGULATOR	{ R.H.	1	
850400	ASSEMBLY		L.H.	1
650236	Pivot, window regulator	AM62	1	
WP0119	Washer, plain	AM63	2	
608301	Washer, tension	AM64	6	
WL0208	Washer, lock	AM65	2	
JN2108	Nut	AM66	2	
HU0705/P	Screw, set	AM67	2	
WL0207	Washer, lock	AM68	8	
WP0007	Washer, plain	AM69	8	
607867	Retainer, stud	AM70	8	
607902	Washer, leather	AM71	4	
		AM72	8	
WP0160	Washer, plain, window regulator assembly to door panel		2	Fitted from Body No. 35274CT and future
650260	WINDOW REGULATOR HANDLE	AM73	2	Fitted up to Commission No. CT20310 only
613017	WINDOW REGULATOR HANDLE		2	Fitted from Commission No. CT20311 and future
650261	Escutcheon	AM74	2	
603382	Spring, escutcheon	AM75	2	
609649	Washer, sealing	AM76	2	
600832	Pin, handle attachment	AM77	2	
610174	WINDOW REGULATOR STOP BRACKET	AM78	2	
HU0705	Screw, set	AM79	2	
501794	Washer, plain	AM80	2	
WP0167	Washer, plain	AM81	4	
WL0207	Washer, lock	AM82	2	
HN2007	Nut	AM83	2	
650242	GLASS STOP BRACKET ASSEMBLY	AM84	2	
PX0504	Screw, set	AM85	4	
WL0205	Washer, lock	AM86	4	
WP0005	Washer, plain	AM87	4	
611818	SEALING DETAILS			
502505	Curtain, water, assembly, front	AM88	2	
611819	Clip, fixing, front water curtain		6	
502505	Curtain, water, assembly, rear	AM89	2	
502505	Clip, fixing, rear water curtain		4	
850325	Rubber, sealing, waist, door, outer	{ R.H.	1	
850324		L.H.	1	
609742	Clip, securing sealing rubber	AM90	14	
850323	Weatherstrip, waist, door, inner	{ R.H.	1	
850322		L.H.	1	
608604	Clip, securing weatherstrip	AM91	14	
		AM92	1	
		AM93	14	

Note:—Items marked thus † are available on our Factory Exchange Unit Scheme

BODY AND FITTINGS

Part No.	Description	Plate No.	No. per Unit	Remarks			
850485	FRONT DOOR TRIM PAD ASSEMBLY	Red	R.H.	1	} Coarse Grain		
850484			L.H.	1			
850487		Blue	R.H.	1			
850486			L.H.	1			
850489		Black	R.H.	1			
850488			L.H.	1			
850491	FRONT DOOR TRIM PAD ASSEMBLY	Black	R.H.	1	} Fine Grain		
850490			L.H.	1			
YZ3426	} Door pocket attachment	} Red	AM95	4	} Fine Grain		
608586			} Washer, cup	AM96		4	
611680				} Cap, screw		AM97	4
611681						AM97	4
611682			AM97	4			
608511			AM98	30			
563589	AM99	20					
650306	DOOR PULL HANDLE	AM100	2				
510799	} Door pull handle	AM101	4				
FS2758		} Nut, fix to door	4				
650310	Rubber, sealing, door aperture	AM102	2				
650311	Rubber, sealing, door aperture		2	For use when hard top is fitted			
611597	DRAUGHT EXCLUDER	} Red	AM103	2	} For use when hard top is fitted		
611598			} Black	AM103		2	
611599				Blue		2	
611587	DRAUGHT EXCLUDER	} Red	1	1			
611588			} Black	1		1	
611589				Blue		1	

Note:—Items marked thus † are available on our Factory Exchange Unit Scheme

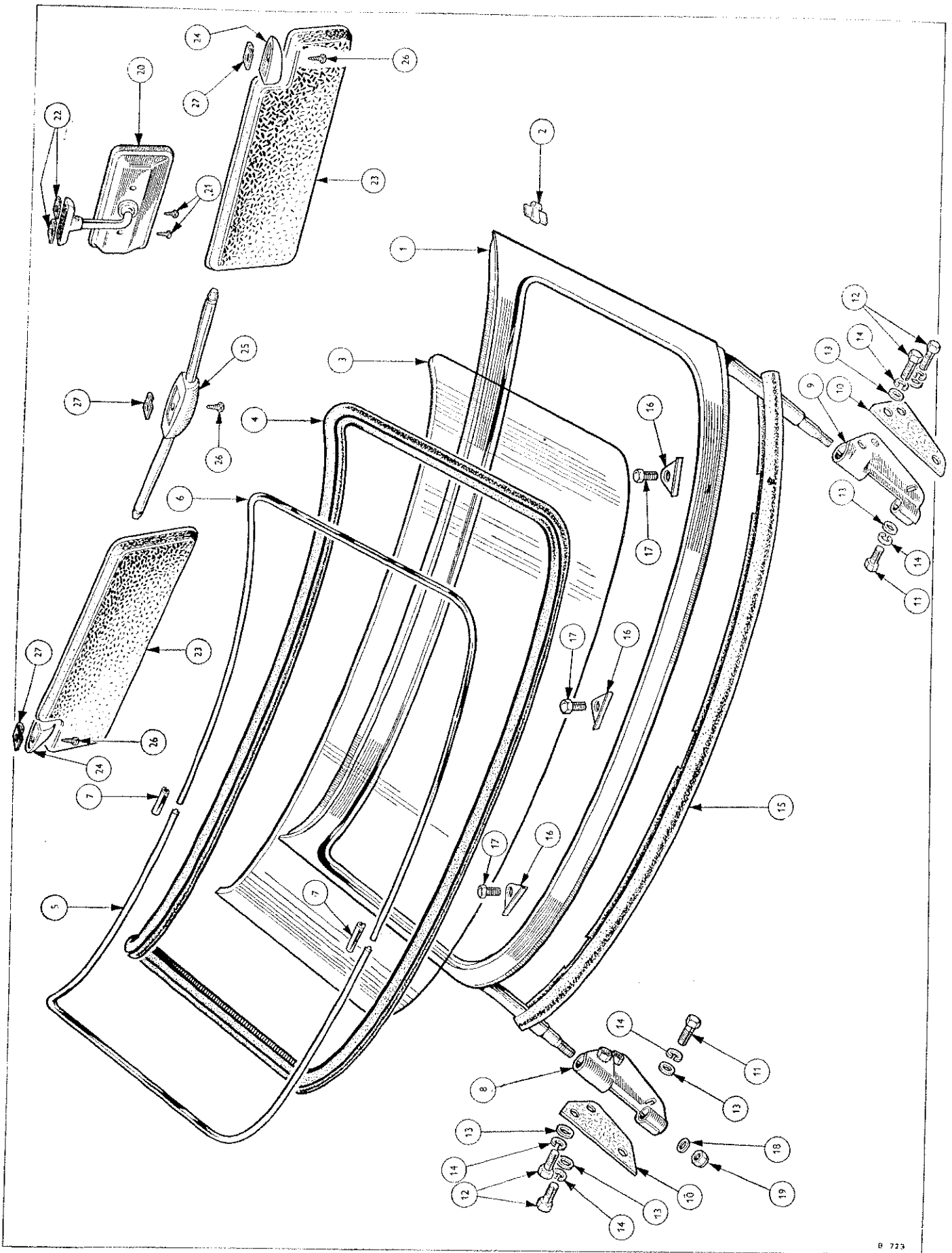


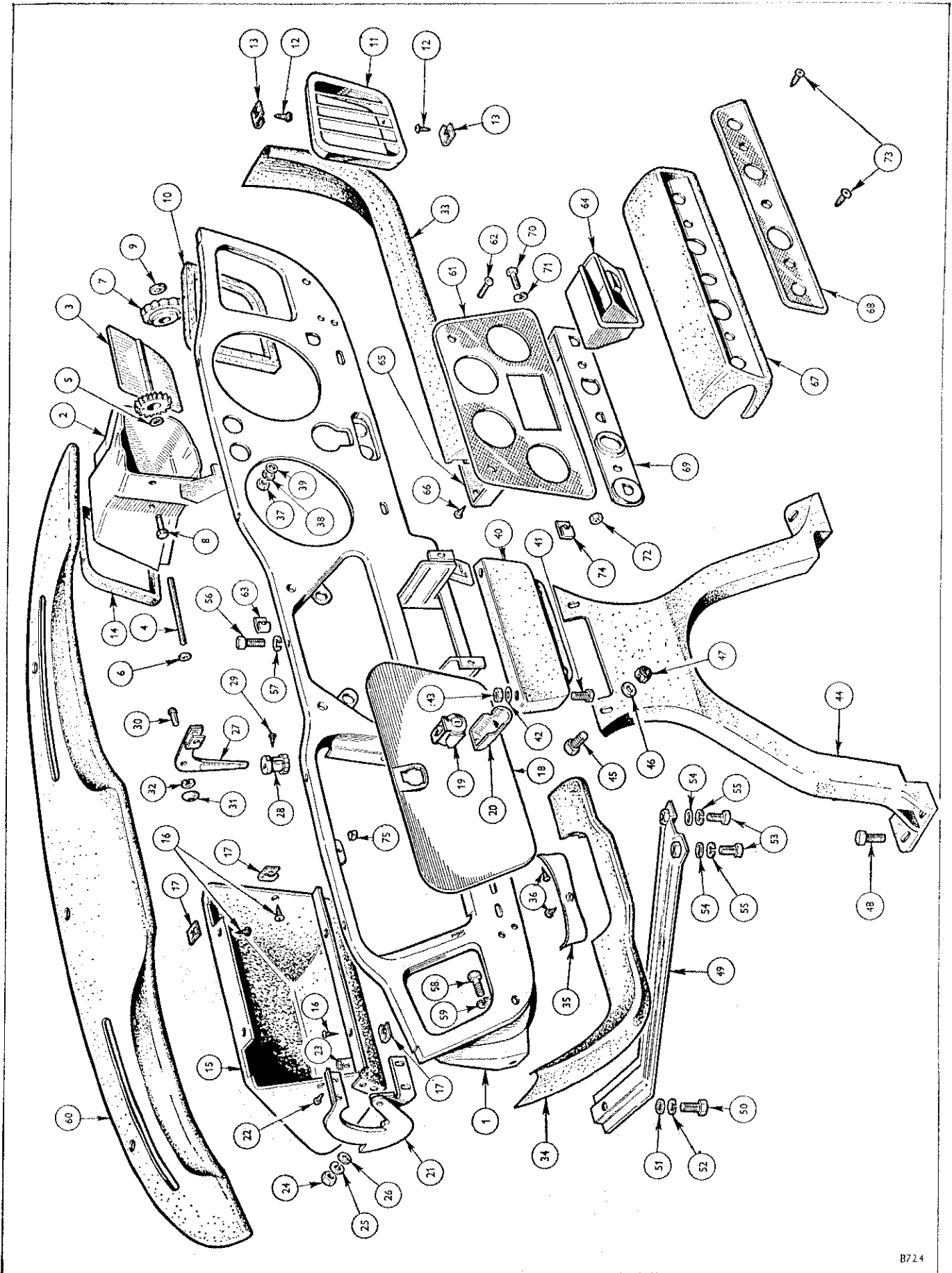
PLATE AN

TRIUMPH SPORTS CAR 20 TR4

BODY AND FITTINGS

Part No.	Description	Plate No.	No. per Unit	Remarks	
WINDSCREEN ASSEMBLY					
950119	Frame assembly, windscreen	AN1	1		
611895	Bracket, windscreen to soft top	AN2	2		
902367	Glass, windscreen (Laminated)	AN3	1	Fitted up to Commission No. only (Home Market only)	
903467	Glass, windscreen { R.H. steering (Zone toughened) { L.H. steering		1	} Fitted from Commission No. and future Canada, U.S.A. and Special Orders only Fitted from Commission No. and future	
903466			1		
902367		Glass, windscreen, laminated			1
902369	Rubber, glazing	AN4	1		
806178	Moulding, finisher { R.H. L.H.	AN5	1	} Fitted up to Body No. CT24516	
806177			1		
613954	Finisher, windscreen	AN6	1		
611437	Clip, finisher mounting		1		
750158	Bracket, mounting, assembly { R.H. windscreen support { L.H.	AN7	2		
750157			1		
650313	Packing, fibre, windscreen mounting bracket	AN8	1		
HB0708D	Screw, set Washer, plain	AN9	1		
WM0057			1		
	} Mounting bracket assembly to 'A' post	AN10	1	} Fitted from Body No. CT24517 and future	
HU0705		Screw, set	AN11		2
WP0035		Washer, plain			2
WL0207	Washer, lock		2		
650130	Rubber, sealing, windscreen to scuttle	AN12	4		
611669	Cover, screen attachment plate {	AN13	4		
611638		Bolt	AN14		6
WP0139	} Windscreen assembly to body	AN15	1		
TN3208		Washer, plain	AN16		3
510065	Nut, nyloc	AN17	3		
	Washer, plain, windscreen frame to body	AN18	2		
		AN19	2		
			3	Fitted from Body No. 2857CT Soft Top and 1357CT Hard Top and future	
Note. For details of Windscreen Capping see Body Mouldings					
INTERIOR MIRROR ASSEMBLY					
611102	Screw, S/T } Interior mirror Nut, fix } attachment	AN20	1	} Fitted up to Body No. only	
510869			2		
FJ2445			2		
INTERIOR MIRROR ASSEMBLY					
613871	Screw, S/T } Interior mirror Nut, fix } attachment		1	} Alternative to 614090 Alternative to 613871 Fitted from Body No. and future	
614090			1		
510857			2		
FJ2445			2		
SUN VISOR ASSEMBLY					
705754	Mounting, visor, outer	AN23	2	} Special Orders only	
611104	Mounting, visor, centre	AN24	2		
510125	Screw, S/T	AN25	1		
FJ2445	Nut, fix	AN26	3		
		AN27	3		

Note:—Items marked thus † are available on our Factory Exchange Unit Scheme



B724

PLATE AP

TRIUMPH SPORTS CAR 20 TR4

BODY AND FITTINGS

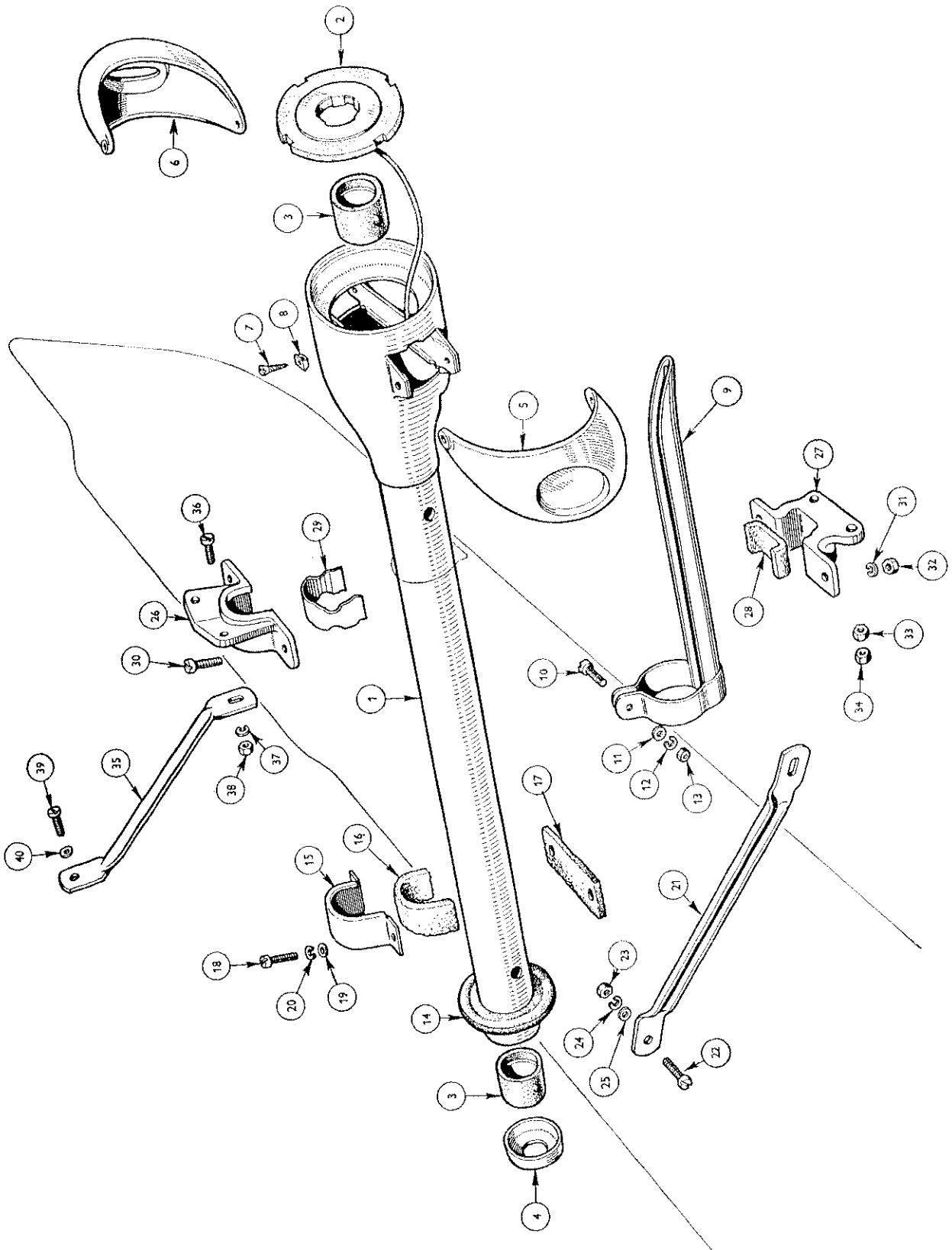
Part No.	Description	Plate No.	No. per Unit	Remarks
FACIA PANEL ASSEMBLY (continued)				
601656	Lever, vent, assembly	AP27	1	
601678	Knob, lever	AP28	1	
YB1102	Screw, S/T., knob to handle	AP29	1	
RR0606	Rivet	AP30	1	
FH3155	Retainer, truarc	AP31	1	
WD0157	Washer, spring	AP32	1	
	Switch, rheostat, panel light			
	Bezel			} For details see Electrical Section
	Knob			
	Washer, on knob			
	Nut			
	Washer, spring			
804912	Pad, crash assembly, facia bottom	AP33	1	} R.H. L.H. R.H. L.H.
805757	R.H. Steering	AP34	1	
805758	Pad, crash assembly, facia bottom		1	
804911	L.H. Steering		1	
611363	Finisher, facia crash pad	AP35	1	
509557	Screw, S/T., finisher attachment	AP36	2	
HN2005	Nut	AP37	6	} Crash pads to facia panel
WQ0305	Washer, lock	AP38	6	
WP0113	Washer, plain	AP39	6	
612237	Bracket, facia board, lower assembly	AP40	1	
612246	Bracket, facia board, lower assembly	AP40	1	Fitted up to Body No. 8379CT only — U.S.A. only
612488	Bracket, facia board, lower assembly		1	Fitted from Body No. 8380CT and future — U.S.A. only
612489	Button, bracket, facia board, lower		3	} Fitted from Body No. 8380CT and future
612490	Clip, retaining, facia board, lower		1	
616306	Screw, set	AP41	2	} Facia board bracket to facia
WP0034	Washer, plain	AP42	2	
YN2908	Nut, nyloc	AP43	2	
566108	Bracket, support, facia to floor assembly	AP44	1	Fitted up to Body No. 1527CT only
806506	Bracket, support, facia to floor assembly	AP44	1	Fitted from Body No. 1528CT and future
512393	Screw, set	AP45	2	} Support bracket to facia board bracket, lower
500172	Washer, plain	AP46	2	
YN2908	Nut, nyloc	AP47	2	
HU0708	Screw, set, support bracket to chassis	AP48	4	
600398	Plug, rubber		2	} Blanking heater control holes
510066	Screw, set		1	
HN2008	Nut		1	
WL0208	Washer, lock		1	
CD25340	Plug, rubber, blanking radio bracket hole		1	} Not required when radio is fitted
610592	Support, channel assembly, facia to dash	AP49	1	
HU0704	Screw, M/C	AP50	1	} Channel support to dash
WP0023	Washer, plain	AP51	1	
WL0207	Washer, lock	AP52	1	
PX0504	Screw, M/C	AP53	2	} Channel support to facia panel
WP0113	Washer, plain	AP54	2	
WL0205	Washer, lock	AP55	2	
PX0704	Screw, set	AP56	5	} Facia to scuttle rail
WL0207	Washer, lock	AP57	5	
HU0706	Screw, set	AP58	2	} Facia to 'A' post
WL0207	Washer, lock	AP59	2	

Note:—Items marked thus † are available on our Factory Exchange Unit Scheme

BODY AND FITTINGS

Part No.	Description	Plate No.	No. per Unit	Remarks
FACIA PANEL ASSEMBLY (continued)				
902309	Pad, crash, scuttle-top	AP60	1	} Fitted up to Body No. CT11307 only
612203	Strip, insulating, ignition switch		1	
551051	Clip, insulating strip		1	
610302	INSTRUMENT PANEL	AP61	1	Fitted up to Body No. 4398CT only
612233	INSTRUMENT PANEL		1	Fitted from Body No. 4399CT and future
509744	Screw, M/C	AP62	2	} Instrument panel to facia
FU2564	Nut, spire	AP63	2	
612431	ASH TRAY ASSEMBLY — FRONT	AP64	1	} Ash tray assembly to instrument panel Special Order only
612430	Retainer	AP65	1	
613580	Retainer, ash tray		1	
WL0205	Washer, lock		1	
HN2005	Nut		1	
705206	PLINTH, SWITCH MOUNTING—TRIMMED ASSEMBLY	AP67	1	Fitted up to Body No. 25934CT only
706882	Plinth, switch mounting		1	Fitted from Body No. 25935CT and future
569927	Plate, switch mounting		1	} Early type
569926	Reinforcement, switch mounting		1	
610817	Plate, switch mounting	AP68	1	} Late type
610818	Reinforcement, switch mounting	AP69	1	
HU0704	Screw, set	AP70	1	} Securing reinforcement to facia panel
WL0207	Washer, lock	AP71	1	
HN2007	Nut	AP72	1	
502476	Screw, S/T	AP73	2	} Plinth and switch mounting plate to facia
FU2584	Nut, spire	AP74	2	
613863	Buffer, cubby box lid	AP75	1	
903508	VENEERED FACIA PANEL ASSEMBLY—L.H.S.		1	} Special Order only
706906	Lid, cubby box		1	
611565	Hinge assembly, cubby box lid		2	
511669	Screw, wood		10	
511668	Screw, wood		4	
609745	Link, check, cubby box lid		1	
616256	Bracket, check link retainer, L.H.S.		1	
511670	Screw, wood, link to lid and facia		4	
611584	Lock, cubby box		1	
611748	Bracket, striker, cubby box lock		1	
TW0402	Screw, bracket to facia		2	
612988	Bracket, cubby box lid buffer		2	
TW0402	Screw, buffer bracket to facia		4	
613863	Buffer, cubby box lid		2	
511671	Screw		5	
CD24153	Washer, cup		5	

Note:—Items marked thus † are available on our Factory Exchange Unit Scheme



B725

PLATE AQ

TRIUMPH SPORTS CAR 20 TR4

BODY AND FITTINGS

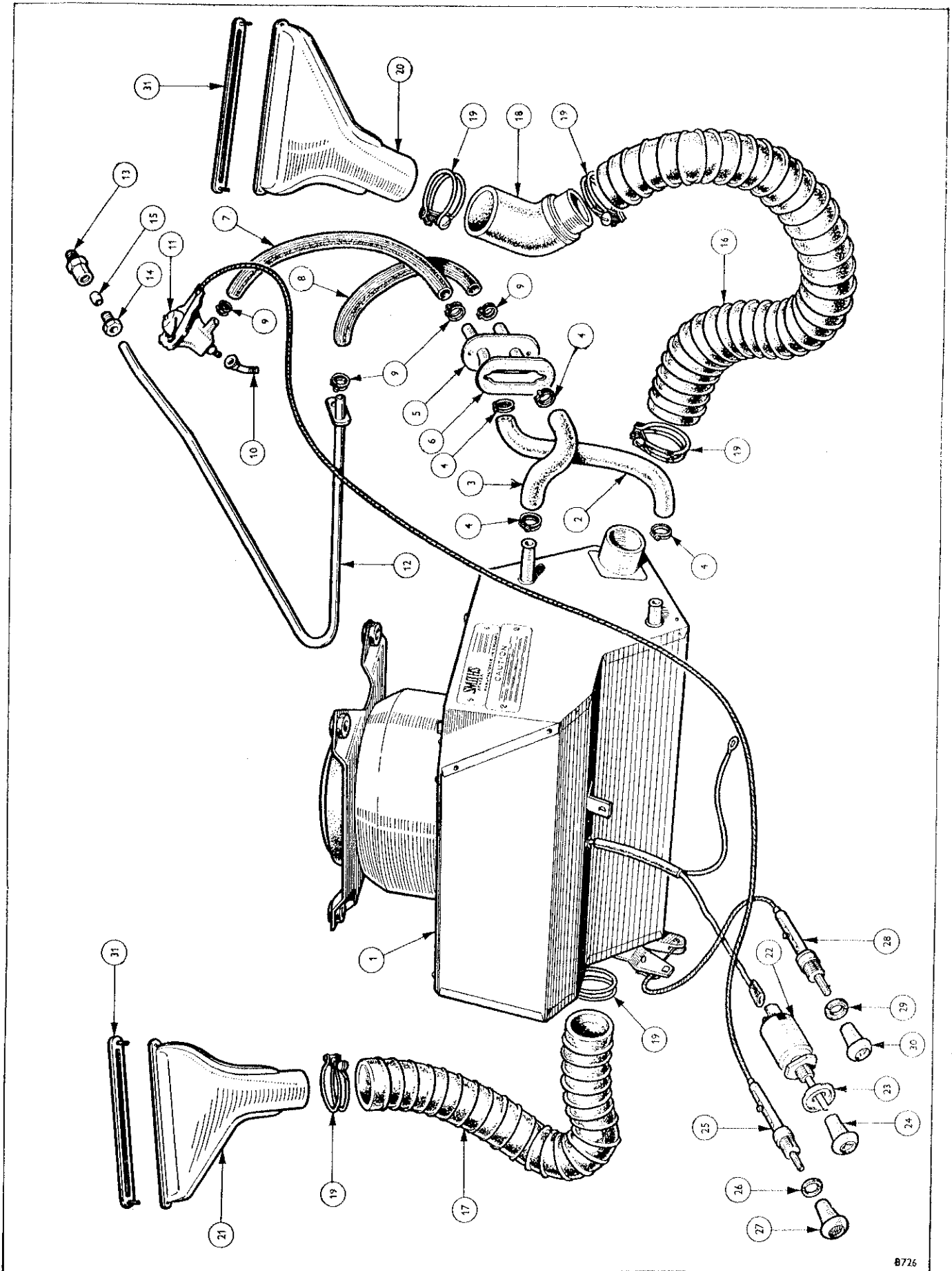
Part No.	Description	Plate No.	No. per Unit	Remarks
611618	STEERING COLUMN SHROUD ASSEMBLY	AQ1	1	
612072	STEERING COLUMN SHROUD ASSEMBLY		1	Special Orders
608136	Channel , mounting, column switches		2	
608462	Slip ring and insulator , assembly	AQ2	1	
608356	Slip ring cable , assembly		1	
606630	Bearing assembly , steering column	AQ3	2	Fitted up to Commission No. CT15169 only
209423	Bearing assembly , steering column		2	Fitted from Commission No. CT15170 and future
122718	Cap , end, steering column shroud	AQ4	1	
611835	Escutcheon , steering column	AQ5	1	
611366	Escutcheon , trafficator switch	AQ6	1	
611982	Escutcheon , overdrive switch		1	For use when overdrive is fitted
508051	Screw , S/T } Escutcheon to steering	AQ7	2	
FC2803	Nut , fix } column shroud	AQ8	2	
611011	Label , instruction, trafficator		1	For use when trafficator switch is fitted in board of steering column
611012	Label , instruction, trafficator		1	For use when trafficator switch is fitted out board of steering column
611369	Cover , harness, assembly, steering column	AQ9	1	
PT0504	Screw , set	AQ10	1	
WP0138	Washer , plain } Harness cover to	AQ11	1	
WL0205	Washer , lock } steering column shroud	AQ12	1	
HN2005	Nut	AQ13	1	
610608	Seal , rubber, steering column	AQ14	1	
122719	Washer , bearing		1	
STEERING COLUMN SUPPORT DETAILS				
608185	Bracket , clamp, steering column support, lower	AQ15	1	
608223	Strip , felt, support bracket	AQ16	1	
608222	Strip , felt, support bracket	AQ17	1	
HU0706	Screw , M/C } Steering support clamp	AQ18	2	
WP0035	Washer , plain } bracket, lower, to	AQ19	2	
WL0207	Washer , lock } steering support body	AQ20	2	
HN2007	Nut , hex. } bracket		2	
611834	Rod , tie, lower clamp bracket to	AQ21	1	R.H.S.
611531	lower rear clamp on fascia		1	L.H.S.

Note:—Items marked thus † are available on our Factory Exchange Unit Scheme

BODY AND FITTINGS

Part No.	Description	Plate No.	No. per Unit	Remarks
STEERING COLUMN SUPPORT DETAILS				
<i>(continued)</i>				
HU0705	Screw, set	AQ22	1	
HN2007	Nut	AQ23	1	
WL0207	Washer, lock	AQ24	1	
WP0042	Washer, plain	AQ25	1	
611530	Clamp, steering column,	AQ26	1	
611529	rear	AQ27	1	
608188	Strip, felt, steering column clamp	AQ28	1	
609639	Spring, steering column clamp	AQ29	1	
HU0808	Screw, M/C	AQ30	2	
WL0208	Washer, lock	AQ31	2	
HN2008	Nut	AQ32	2	
HN2007	Nut	AQ33	2	
JN2107	Nut, lock	AQ34	2	
611532	Rod, tie, steering column clamp, rear, to dash	AQ35	1	
HU0706	Screw, set	AQ36	1	
WL0207	Washer, lock	AQ37	1	
HN2007	Nut	AQ38	1	
WU3705	Screw, set	AQ39	1	
HU0705	Screw, set		1	} Fitted up to Body No. only } Fitted from Body No. and future
WL0207	Washer, lock		1	
WP0007	Washer, plain	AQ40	1	

Note:—Items marked thus † are available on our Factory Exchange Unit Scheme



8726

PLATE AR

TRIUMPH SPORTS CAR 20 T.R4.

BODY AND FITTINGS

Part No.	Description	Plate No.	No. per Unit	Remarks
566583	HEATER KIT			
566579	†Heater unit assembly	AR1	1	Supplied to Special Orders only
566374	Spacer, heater unit		3	
566375	Washer, heater unit		3	
HB0708	Bolt		3	
WV0167	Washer, plain		3	
612241	Washer, rubber		1	
HN2007	Nut		1	
611725	Hose, inlet, water	AR2	1	
611726	Hose, outlet, water	AR3	1	
CS4012	Clip, hose attachment to heater connections and connector pipe assembly	AR4	4	
611043	Pipe, connector, assembly	AR5	1	
611040	Pad, sealing	AR6	1	
YJ2464	Screw, S/T		2	
FU2544	Nut, spire		2	
602575	Hose, water	AR7	1	
602569		AR8	1	
CS4012	Clip, hose, water hose attachment to connector pipe assembly and engine	AR9	4	
133061	Elbow, cylinder head	AR10	1	
565755	†Valve, water, cylinder head	AR11	1	
208606	Pipe, heater, assembly, water hose to water pump	AR12	1	
101343	Adaptor, water pump body	AR13	1	
101302	Nut	AR14	1	
TL0011	Sleeve	AR15	1	
611825	Hose, demister	AR16	1	
611826		AR17	1	
CS4024	Clip, demister, hose attachment	AR19	4	
806740		AR19	4	
806741	Duct, demister	AR20	1	
130544		AR21	1	
609933	Switch, heater control	AR22	1	
704883	Knob, heater switch	AR23	1	
59445	Washer, for knob	AR24	1	
611284	Control, Push/Pull, assembly, water valve	AR25	1	
566407	Bezel, Push/Pull control	AR26	1	
704884	Knob, heater	AR27	1	
612262	Control, Push/Pull assembly, outlet duct	AR28	1	
566047	Bezel, Push/Pull control	AR29	1	
704881	Knob, air distribution	AR30	1	
59445	Washer, for knob		1	
602037	Grommet, fitted in dash		1	

Note:—Items marked thus † are available on our Factory Exchange Unit Scheme

BODY AND FITTINGS

Part No.	Description	Plate No.	No. per Unit	Remarks
610181	DEMISTER OUTLET	AR31	2	
HN2005	Nut		4	}
WP0138	Washer, plain		4	
WL0205	Washer, lock		4	
611041	Plate, blanking		1	}
611040	Pad, sealing		1	
YJ2464	Screw, S/T		2	}
FU2584	Nut, spire		2	
600399	Plug, rubber, blanking hole in dash		1	} Required when heater not fitted
612125	Plate, cover, heater aperture		1	
YA0303	Screw, drive, cover plate to plenum chamber		4	} Fitted from Commission No. and future
612390	Plate, deflector		2	

Note:—Items marked thus † are available on our Factory Exchange Unit Scheme

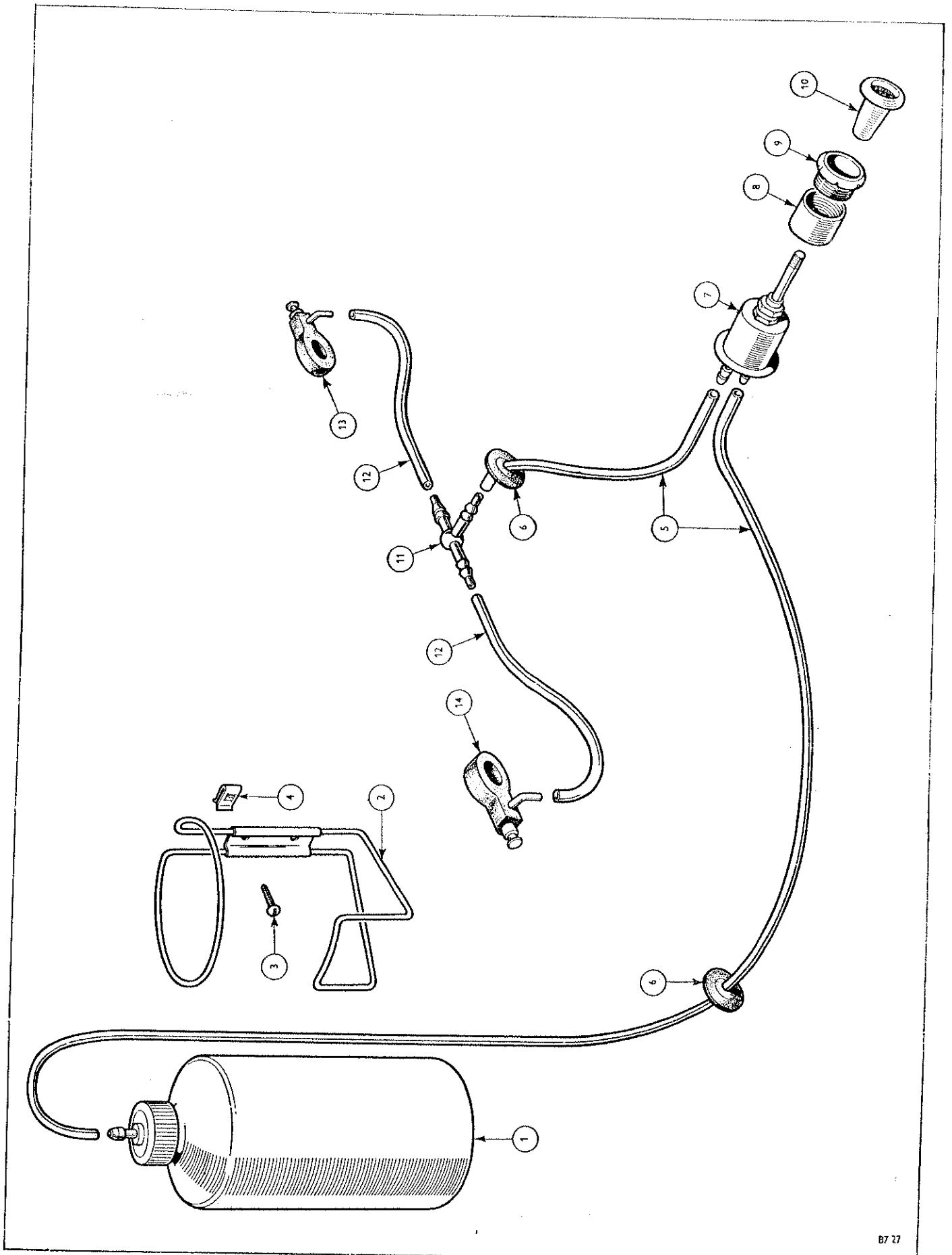
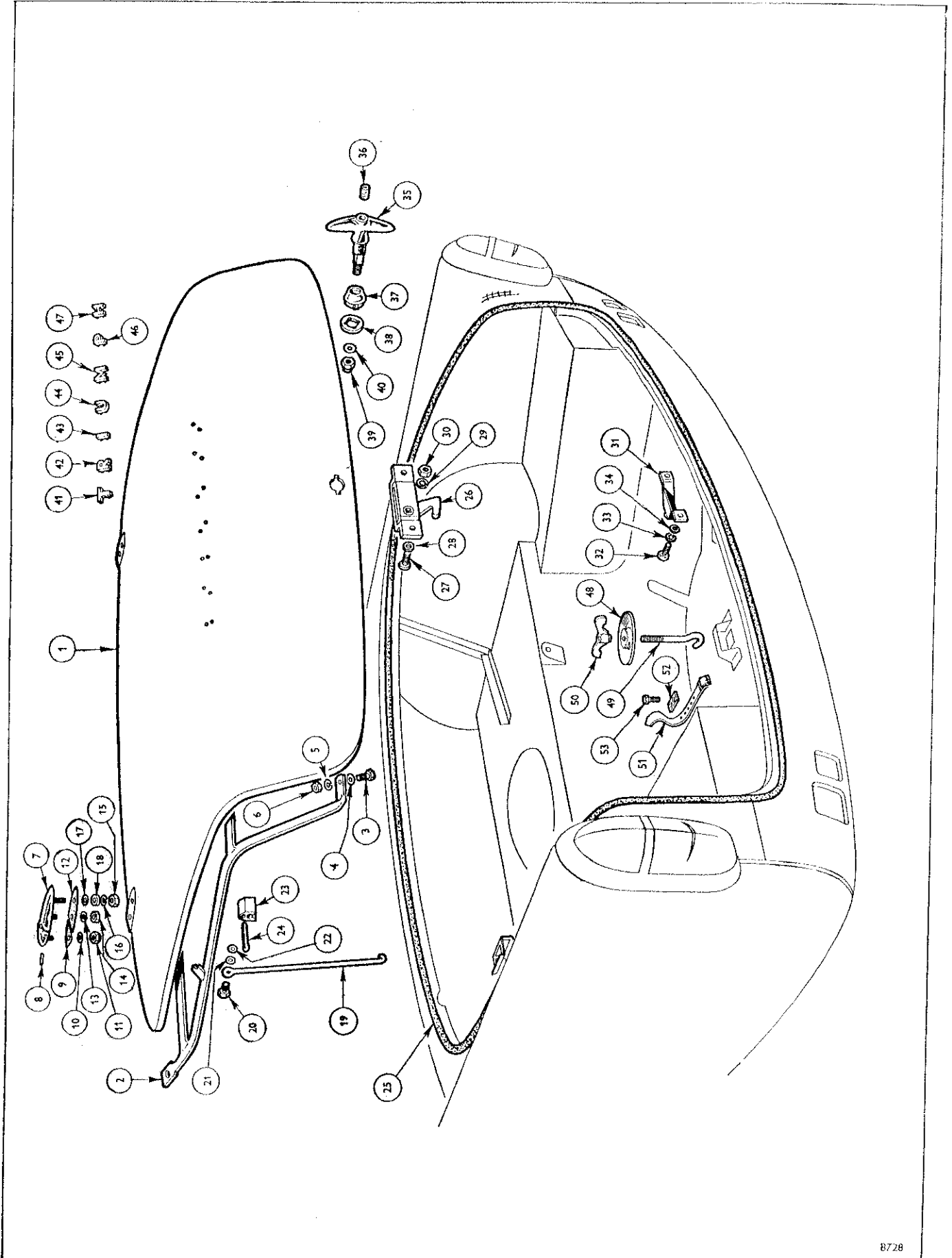


PLATE AS

BODY AND FITTINGS

Part No.	Description	Plate No.	No. per Unit	Remarks
WINDSCREEN WASHER DETAILS				
608319	Container	AS1	1	
609613	Bracket , screenwasher container	AS2	1	
YZ3305	Screw , S/T } Securing bracket	AS3	2	
FC2803	Nut , spire } to valance	AS4	2	
604146	Tube , container to pump and pump to 'T' piece	AS5	as req'd.	Sold in feet
61917	Grommet , suction tube	AS6	2	
609173	Plunger	AS7	1	
609526	Spacer } Securing plunger to	AS8	1	
609919	Bezel } switch	AS9	1	
609946	Knob } plinth	AS10	1	
609174	'T' piece	AS11	1	Fitted up to Commission No. CT11145 only
604132	Tube , 'T' piece to nozzle	AS12	as req'd.	Sold in feet
511070	Nozzle and bush assembly { R.H.	AS13	1	
511071		L.H.	1	
612601	'T' piece		1	Fitted from Commission No. CT11146 and future

Note:—Items marked thus † are available on our Factory Exchange Unit Scheme



B728

PLATE AT

TRIUMPH SPORTS CAR 20 TR4

BODY AND FITTINGS

Part No.	Description	Plate No.	No. per Unit	Remarks
850442	TRUNK LID ASSEMBLY	AT1	1	
950083	TRUNK LID TUBE REINFORCEMENT	AT2	1	Fitted up to Body No. 5642CT only
903233	TRUNK LID TUBE REINFORCEMENT		1	Fitted from Body No. 5643CT and future
HB0708	Bolt	AT3	2	} Tube reinforcement assembly to trunk lid
WP0007	Washer, plain	AT4	2	
WL0207	Washer, lock	AT5	2	
HN2007	Nut	AT6	2	
604917	TRUNK LID HINGE ASSEMBLY		1	} R.H. L.H.
604918		AT7	1	
552075	Pin, hinge	AT8	1	} Hinges to rear deck
603213	Washer, fibre, female	AT9	2	
WM0058	Washer, plain	AT10	2	
YN2908	Nut, nyloc	AT11	2	} Hinges to lid front
603212	Washer, fibre, male	AT12	2	
WL0207	Washer, lock	AT13	2	} Hinges to lid and tube reinforcement, rear
HN2007	Nut	AT14	2	
HN2007	Nut	AT15	2	} attachment
WL0207	Washer, lock	AT16	2	
WP0167	Washer, plain	AT17	2	
WM0093	Washer, distance	AT18	2	
750154	TRUNK LID STAY	AT19	1	} Fitted up to Body No. 5642CT only
650224	Pivot, trunk lid stay	AT20	1	
WP0167	Washer, plain	AT21	1	
FT2906	Clip, retainer	AT22	1	
602211	Retainer, trunk lid stay	AT23	1	
PC0055	Pin, split, retainer attachment	AT24	1	
612473	TRUNK LID STAY — SLIDING UNIT		1	} Fitted from Body No. 5643CT and future
612474	Bolt		1	
511195	Washer, lock, double coil		1	
511194	Washer, plain		1	
YN2907	Nut, nyloc		1	
501795	Washer, plain		1	
612475	Screw, shouldered		1	
511195	Washer, lock, double coil		1	
511194	Washer, plain		1	
613277	Seal, rubber, trunk lid, aperture	AT25	1	

Note:—Items marked thus † are available on our Factory Exchange Unit Scheme

BODY AND FITTINGS

Part No.	Description	Plate No.	No. per Unit	Remarks
611096	BUDGET LOCK — TRUNK LID	AT26	1	
PX0504	Screw, M/C	AT27	2	
WP0005	Washer, plain	AT28	2	} Budget lock to trunk lid
WL0205	Washer, lock	AT29	2	
HN2005	Nut	AT30	2	
611135	Plate, catch assembly	AT31	1	
PX0504	Screw	AT32	2	} Catch plate to spare wheel pan and rear valance
WL0205	Washer, lock	AT33	2	
WP0005	Washer, plain	AT34	2	
612184	TRUNK LID HANDLE	AT35	1	
557046	Device, locking	AT36	1	
600635	Escutcheon	AT37	1	
600949	Washer, seating, escutcheon	AT38	1	
TN3207	Nut, nyloc, thin (Handle to trunk lid)	AT39	1	
	NAMEPLATE DETAILS			
703862	'T'	AT41	1	} Letter
703863	'R'	AT42	1	
703864	'I'	AT43	1	
703865	'U'	AT44	1	
703866	'M'	AT45	1	
703867	'P'	AT46	1	
703868	'H'	AT47	1	
FP1012/9	Plate, securing letters to trunk lid		14	Fitted up to Body No. 11133CT only Fitted from Body No. 11134CT and future
612892	Clip, tubular, securing letters to trunk lid		14	
612276	Medallion, TR4		1	
FP1012/9	Plate, fix, medallion to trunk lid		2	
	SPARE WHEEL MOUNTING AND TOOL STOWAGE DETAILS			
650016	Disc, clamping	AT48	1	} Securing spare wheel
650017	Bolt, hook	AT49	1	
HN2008	Nut, hook, bolt		1	
650019	Nut, wing	AT50	1	
611760	Strap, tool stowage	AT51	1	
611763	Plate, retaining	AT52	1	} Securing strap to spare wheel pan
PT0504	Screw, set	AT53	2	

Note:—Items marked thus † are available on our Factory Exchange Unit Scheme

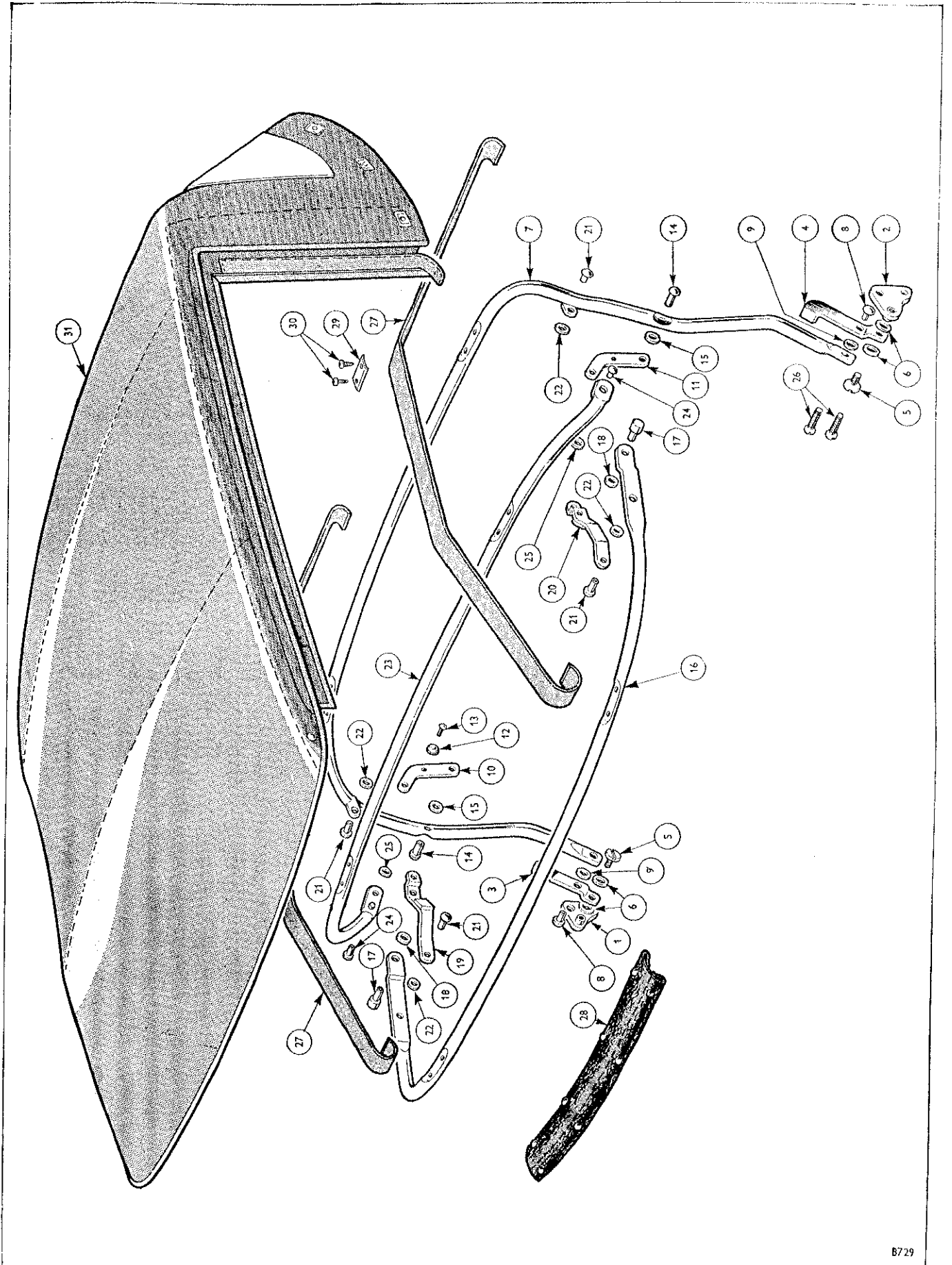


PLATE AU

BODY AND FITTINGS

Part No.	Description	Plate No.	No. per Unit	Remarks
FOLDING HEAD AND STICKS ASSEMBLY (SOFT TOP)				
HOODSTICK ASSEMBLY				
850405			1	
602025	Bracket, body and pivot assembly	R.H. AU1	1	
602024		L.H. AU2	1	
602028	Stud, pivot		2	
611631	Link, main, hood fitting to body	R.H. AU3	1	
611630		L.H. AU4	1	
602029	Screw, retaining		2	} Securing main link to body and pivot assembly
WP0131	Washer, plain	AU5	2	
850450	Hoodstick, main assembly	AU6	4	
850190	Rivet	AU7	1	
WP0172	Washer, plain	AU8	2	} Main hoodstick to main link
650182	Link, 'B' post to front stick	AU9	2	
650181		R.H. AU10	1	
610624		L.H. AU11	1	
563769	Stud, dot		2	} Hood attachment 'B' post link
602117B	Rivet	AU12	2	
WP0172	Washer, plain	AU13	2	} Securing link to main hoodstick
850404	Hoodstick, front assembly	AU14	2	
611693	Rivet, special	AU15	2	
WP0172	Washer, plain	AU16	1	
650192	Rivet, semi-tub	AU17	2	} Front hoodstick to 'B' post link
WM0818	Washer, medium	AU18	2	
650180	Link, main pivot assembly	R.H. AU19	2	} Alternative to 650192 and WM0818
650179		L.H. AU20	1	
650190	Rivet		2	} Alternative to 611693 and WP0172
WP0172	Washer, plain	AU21	4	
750134	Hoodstick, intermediate assembly	AU22	4	
650191	Rivet	AU23	1	
WP0172	Washer, plain	AU24	2	} Intermediate, hoodstick to main pivot link
TK4707P	Screw, set, body bracket and pivot to body	AU25	2	
		AU26	4	
WEBBING ASSEMBLY				
611734	Socket (Lift the dot)	AU27	2	
552650	Socket (Lift the dot)		2	} Fitted up to Body No. 5931CT only Fitted from Body No. 5932CT and future
566992	Socket (Lift the dot)		2	
552651	Plate, clinch (Lift the dot)		2	
564791	Cover, front hoodstick	AU28	1	
602030	Plate, securing webbing to hoodsticks	AU29	6	
YA0163	Screw, S/T, securing plate and webbing to hoodsticks	AU30	12	

Note:—Items marked thus † are available on our Factory Exchange Unit Scheme

BODY AND FITTINGS

Part No.	Description	Plate No.	No. per Unit	Remarks
705964	HOOD, TRIMMED ASSEMBLY	White	AU31	1
705963		Black	AU31	1
564684	Backlight , hood			1
564685	Quarter Light , rear hood			2
565313	Eyelet , 7 mm.		12	} Fitted up to Commission No. only
565756	Rivet , cap, 7 mm.		12	
565749	Eyelet , dot, clinch type	} Hood attachment	4	
565750	Stud , dot, clinch type		4	
564830	Button , dot		2	
562134	Socket , dot		2	
613767	Hook , side valance		2	
563032	Back , 9 mm.	} Hook to valance	4	} Fitted up to Commission No. only
565756	Rivet , cap		4	
570905	Cap , No. 3	} Hook to valance attachment	4	
570906	Back		4	
565313	Eyelet , 7 mm.	} Retainer, top, front valance strip and side valance to hood	10	} Fitted from Commission No. and future
565756	Rivet , cap, 7 mm.		10	
563032	Back		2	
565756	Rivet , cap, 7 mm.	} Elastic strip to hood	2	
565746	Dot , durable		2	
509224	Screw , S/T	} Hood to screen capping	2	

Note:—Items marked thus † are available on our Factory Exchange Unit Scheme

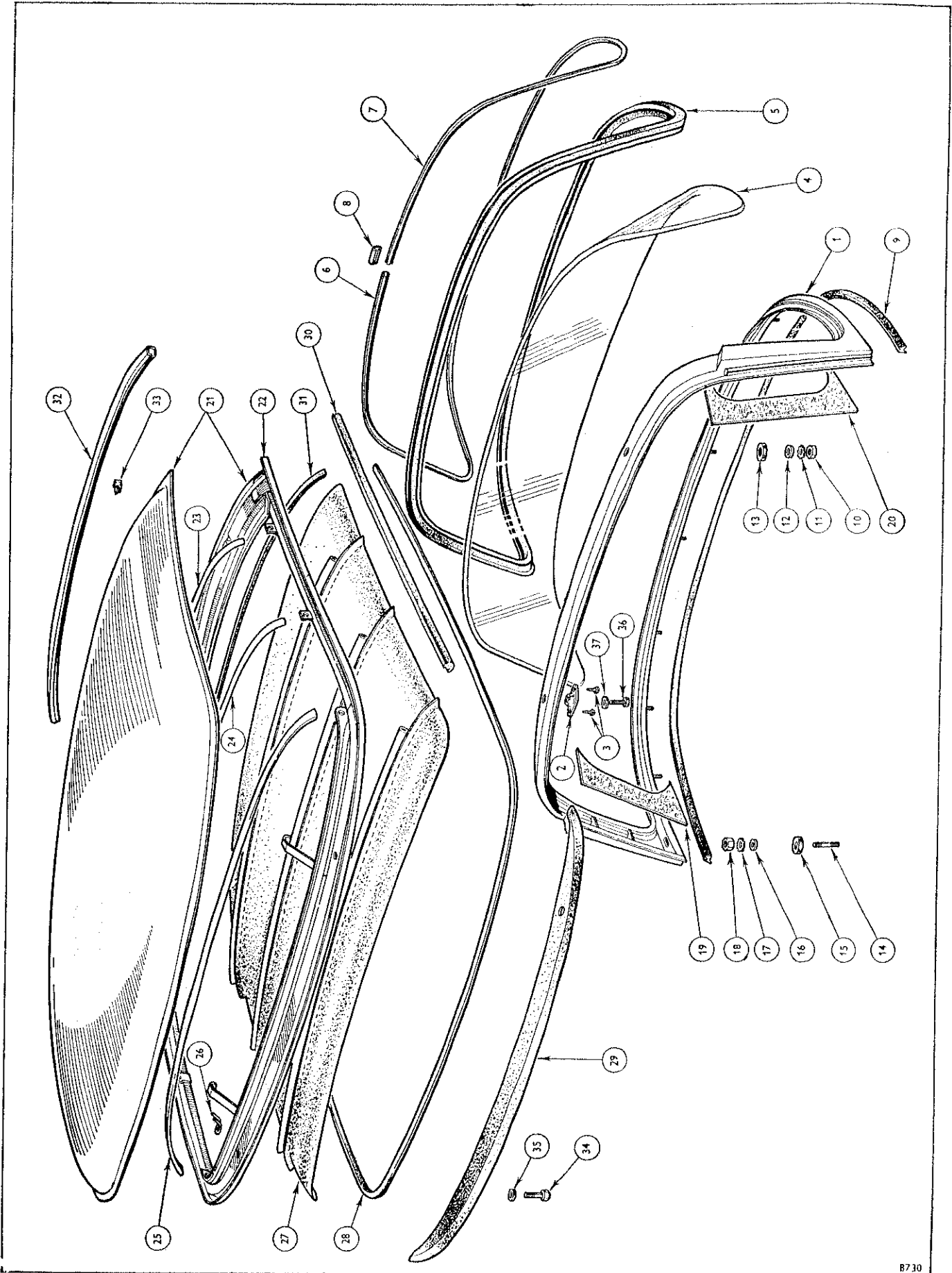


PLATE AV

BODY AND FITTINGS

Part No.	Description	Plate No.	No. per Unit	Remarks	
DETACHABLE BACKLIGHT — (HARD TOP)				Supplied to Special Orders only	
566993	Frame , backlight, assembly (Primed)	AV1	1		
612461	Retainer , door glass sealing rubber		2		
561210	Rivet , Imex, retainer attachment		8		
612453	Bracket , canopy		2		
510473	Rivet , bracket attachment		4	Fitted up to Body No. only	
568643	Rivet , bracket attachment		4	Fitted from Body No. and future	
611668	Plate , cover, backlight frame	AV2	2		
510481	Screw , T/V., cover plate attachment	AV3	4		
902343	Glass , backlight attachment	AV4	1		
902349	Rubber , glazing, backlight	AV5	1		
806240	Finisher , backlight	{ R.H.	1	} Fitted up to Commission No. CT24516 only	
806239		{ L.H.	1		
613958	Finisher , backlight		1	Fitted from Commission No. CT24517 and future	
611437	Cover , joint, finisher	AV8	2		
610633	Rubber , sealing, backlight to rear deck	AV9	1		
HN2007	Nut	AV10	7		
WE0607	Washer , shakeproof	} Backlight assembly to rear deck	AV11	7	
WP0167			Washer , plain	AV12	7
611947			Washer , rubber	AV13	7
610080	Stud , fixing	AV14	2		
611948	Washer , rubber	} Backlight to rear deck filler side panel	AV15	2	
WP0167			Washer , plain	AV16	2
WE0607	Washer , shakeproof	AV17	2		
HN2007	Nut	AV18	2		
611937	Finisher assembly, side panel roof backlight frame	{ R.H.	1		
611936		{ L.H.	1		
ROOF ASSEMBLY — (HARD TOP)				Supplied to Special Orders only	
566994	Roof , complete assembly (Primed)	AV21	1	Fitted up to Body No. 26463CT only	
611964	Bracket , tie, front listing rail		2		
903979	Roof , complete assembly		1	Fitted from Body No. 26464CT and future	
557922	Rivet , tie bracket attachment		4		
806145	Cantrails and stiffeners assembly	AV22	1		
611583	Rod , listing	{ Rear	AV23	1	
611582		{ Centre	AV24	1	
611581		{ Front	AV25	1	
608307	Clip , locating, listing rod	AV26	6		
706103	Headlining , trimmed assembly	AV27	1		
611607	Finisher , snap-on, headlining	{ Red	AV28	1	
611608		{ Black	AV28	1	
611609		{ Blue	AV28	1	
806144	Rubber , sealing	{ Header	AV29	1	
650312		{ Cantrail	AV30	2	
611656		{ Roof to backlight	AV31	1	

Note:—Items marked thus † are available on our Factory Exchange Unit Scheme

BODY AND FITTINGS

Part No.	Description	Plate No.	No. per Unit	Remarks
ROOF ASSEMBLY — (HARD TOP)				
<i>(continued)</i>				
806175	Capping, rear, roof	AV32	1	
611662	Clip, capping attachment	AV33	9	Fitted up to Body No. 15777CT only
612211	Clip, capping attachment		9	Fitted from Body No. 15778CT and future
611636	Bolt	AV34	2	Fitted up to Body No. 13934CT only
611639	Bolt		2	
613508	Tube, distance, assembly		2	Roof to windscreen
500057	Washer, lock		2	
511044	Washer, plain		2	
611637	Bolt	AV35	2	Roof to backlight
511044	Washer, plain	AV36	2	
612417	Washer, rubber, roof to windscreen	AV37	2	
			3	

For 'Surrey Top' Conversion Kit see Accessories Section

Note:—Items marked thus † are available on our Factory Exchange Unit Scheme

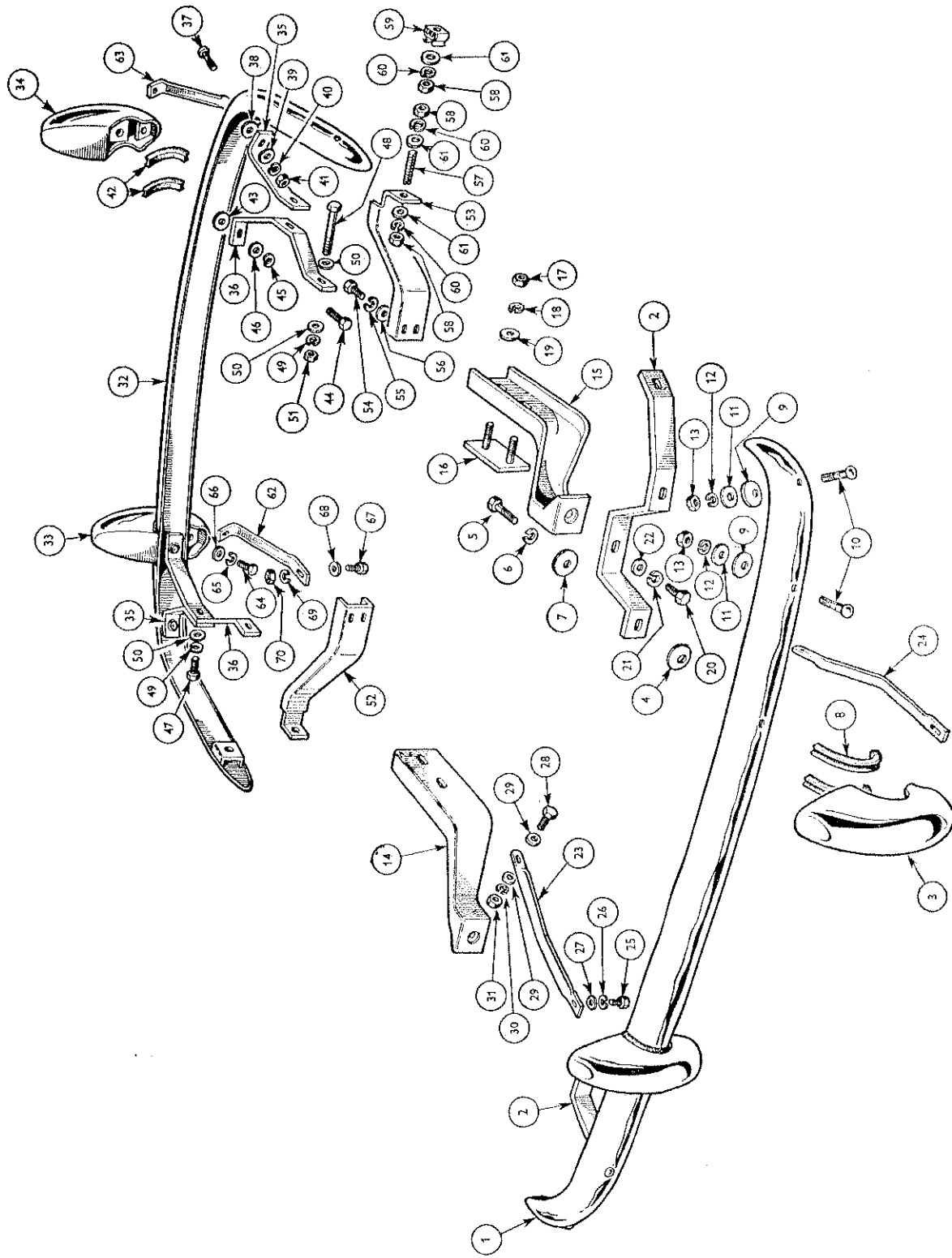


PLATE AW

BODY AND FITTINGS

Part No.	Description	Plate No.	No. per Unit	Remarks
BUMPER DETAILS				
FRONT BUMPER AND OVERIDER DETAILS				
805118	Bar, bumper	AW1	1	
706035	Spring, support	AW2	2	
705920	Overider assembly	AW3	2	
607085	Piece, packing	AW4	2	
HB0914	Bolt	AW5	2	
WQ0309	Washer, spring	AW6	2	} Overiders to bumper
WP0130	Washer, plain	AW7	2	
552218	Moulding, P.V.C.	AW8	4	
607085	Piece, packing	AW9	4	
550090	Bolt	AW10	4	
WP0130	Washer, plain	AW11	4	} Support springs to bumper
WQ0309	Washer, spring	AW12	4	
HN2009	Nut	AW13	4	
610949	Bracket, bumper support assembly	R.H.	AW14	1
610948		L.H.	AW15	1
611455	Plate, clamp, assembly, bumper support bracket	AW16	2	
HN2009	Nut	AW17	4	} Support brackets to chassis
WL0209	Washer, lock	AW18	4	
WM0075	Washer, plain	AW19	4	
HB0910	Bolt	AW20	2	} Support springs to support brackets
WQ0309	Washer, lock	AW21	2	
WP0009	Washer, plain	AW22	2	
611971	Tube, support, overider to front wheelarch	R.H.	AW23	1
611970		L.H.	AW24	1
HU0805	Bolt	AW25	2	
WQ0308	Washer, lock	AW26	2	} Support tubes to overiders
WP0008	Washer, plain	AW27	2	
HU0808	Bolt	AW28	2	
WP0129	Washer, plain	AW29	4	} Support tubes to front wheelarch
WQ0308	Washer, lock	AW30	2	
HN2008	Nut	AW31	2	
HU0708	Bolt, hex.		2	} Fitted up to Body No. 5363CT only
WP0129	Washer, plain		4	
WQ0307	Washer, lock		2	} Fitted from Body No. 5364CT and future
HN2007	Nut		2	

Note:—Items marked thus † are available on our Factory Exchange Unit Scheme

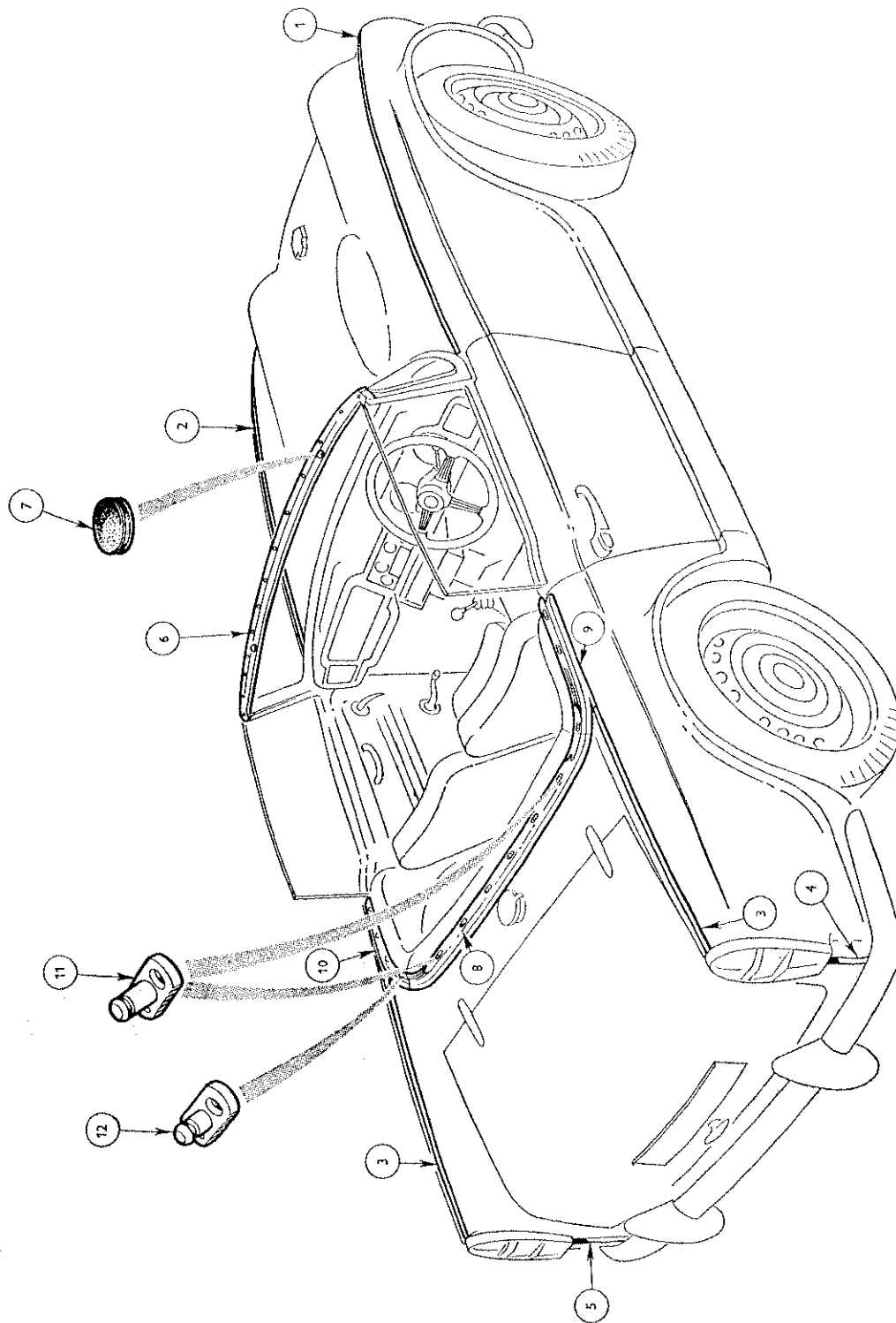
BODY AND FITTINGS

Part No.	Description	Plate No.	No. per Unit	Remarks
BUMPER DETAILS (continued)				
902685	REAR BUMPER BAR	AW32	1	
705906	Overider, rear, assembly {	R.H.	AW33	1
705905		L.H.	AW34	1
705589	Bracket, rear bumper {	Inner	AW35	2
611112		Outer	AW36	2
611111	Bolt	AW37	2	
607085	Piece, packing	AW38	2	
WP0009	Washer, plain	} Bumper to outer brackets	AW39	2
WL0209	Washer, lock		AW40	2
HN2009	Nut		AW41	2
552218	Moulding, P.V.C.		AW42	4
607085	Piece, packing	} Bumper and overiders to inner brackets	AW43	2
HB0914	Bolt		AW44	2
WL0209	Washer, lock		AW45	2
WP0009	Washer, plain		AW46	2
HB0910	Bolt	AW47	2	
HB0926	Bolt	} Outer and inner brackets to chassis	AW48	2
WL0209	Washer, lock		AW49	4
WP0009	Washer, plain		AW50	6
HN2009	Nut		AW51	2
705634	Outrigger, rear bumper {	R.H.	AW52	1
705633		L.H.	AW53	1
HU0905	Screw, set	AW54	4	
WQ0309	Washer, lock	} Outrigger to shackle bracket	AW55	4
WM0059	Washer, plain		AW56	4
611134	Stud	AW57	2	
HN2009	Nut	} Bumper to side panels and outriggers	AW58	6
FS2706	Retainer, nut		AW59	2
WL0209	Washer, lock	}	AW60	6
WP0009	Washer, plain		AW61	6
511062	Bolt	} Bumper to side panels and outriggers		2
511047	Washer, lock			2
612875	Piece, distance			2
511060	Washer, plain			4
511061	Washer, plain		2	
611643	Bracket, tie, rear overider {	R.H.	AW62	1
611642		L.H.	AW63	1
HU0805	Screw, set	} Tie rods to overiders	AW64	2
WL0208	Washer, lock		AW65	2
WP0008	Washer, plain	}	AW66	2
HU0906	Screw, set		AW67	2
WP0009	Washer, plain	} Tie rods to chassis	AW68	2
WL0209	Washer, lock		AW69	2
HN2009	Nut	AW70	2	

} Fitted up to Commission No. CT2842 R.H.S., and CT3018 L.H.S. only

} Fitted from Commission No. CT2843 R.H.S., and CT3019 L.H.S. and future

Note:—Items marked thus † are available on our Factory Exchange Unit Scheme



B752

PLATE AX

TRIUMPH SPORTS CAR 20 TR4

BODY AND FITTINGS

Part No.	Description	Plate No.	No. per Unit	Remarks	
BODY MOULDINGS AND FINISHERS					
850480	Beading , front wing, and fixing tabs	R.H.	AX1	1	
850479	assembly	L.H.	AX2	1	
706140	Beading , rear wing, and fixing tabs	Soft top	AX3	2	Supplied to Special Order only
750126	assembly—Upper	Hard top		2	
750188	Beading , rear wing, and fixing tabs	R.H.	AX4	1	
750187	assembly—Lower	L.H.	AX5	1	
806189	Capping , windscreen		AX6	1	
554407	Rivet , Imex, securing windscreen capping			11	
565746	Dot , durable	Windscreen		2	Hard top models only
509224	Screw , self-tapping	capping		2	
CD25672	Plug , rubber, screen capping		AX7	2	Fitted up to Commission No. CT8009 only. (Not required when hard top is fitted)
612976	Plug , rubber, screen capping			2	Fitted from Commission No. CT8010 and future. (Not required when hard top is fitted)
705421	Moulding , fastener, hood, rear	Centre	AX8	1	Required for soft top models only
805120		Side R.H.	AX9	1	
805119		Side L.H.	AX10	1	
611670	Stud	Side and centre mouldings to tonneau	AX11	2	
611666			AX12	14	
509279				32	

Note:—Items marked thus † are available on our Factory Exchange Unit Scheme

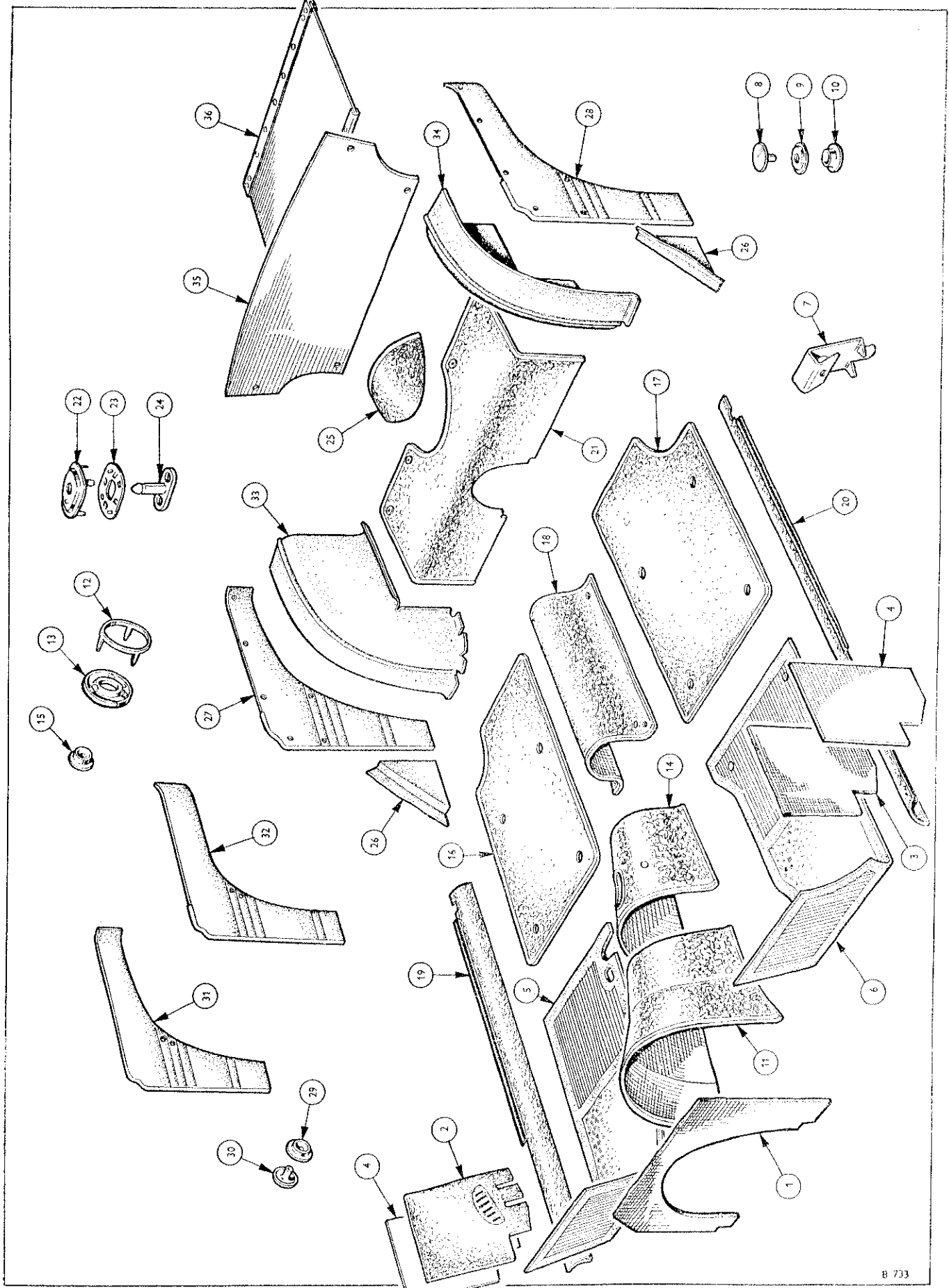


PLATE AY

BODY AND FITTINGS

Part No.	Description	Plate No.	No. per Unit	Remarks
----------	-------------	-----------	--------------	---------

BODY TRIM

Note: Due to wide variation in colour combination, and possible deterioration in storing, trim assemblies are not held in stock but are manufactured when ordered. To facilitate the matching of trim assemblies, a sample of the material should be sent together with the commission number of the vehicle.

566970	CARPET — DASH CENTRE	AY1	1	Right Hand steering only
564334	CARPET — DASH CENTRE	AY1	1	Left Hand steering only
565989	CARPET ASSEMBLY DASH SIDE (R L)	AY2	1	

BODY AND FITTINGS

Part No.	Description	Plate No.	No. per Unit	Remarks	
BODY TRIM (continued)					
564359	REAR FLOOR CARPET ASSEMBLY	R.H.	AY16	1	
564354		L.H.	AY17	1	
564364	TRANSMISSION COVER CARPET ASSEMBLY		AY18	1	
CD23802	Ring, pronged		AY12	2	
CD23803	Socket		AY13	2	
559702	Stud		AY15	2	
561210	Rivet, imex			2	
				} Carpet attachment	
				} Attaching carpet to transmission cover	
564812	SILL CARPET ASSEMBLY	R.H.	AY19	1	
564811		L.H.	AY20	1	
564374	HEELBOARD AND SEAT PAN CARPET ASSEMBLY		AY21	1	
552650	Socket		AY22	4	
552651	Plate, clinch		AY23	4	
611670	Stud		AY24	4	
YA0364	Screw, S/T			8	
				} Carpet attachment	
				} Attaching carpet to seat pan	
564369	DIFFERENTIAL CASE COVER CARPET ASSEMBLY		AY25	1	
611794	'B' POST REINFORCEMENT PAD ASSEMBLY	Red	AY26	2	
611795		Blue	AY26	2	
611796		Black	AY26	2	
850578	REAR QUARTER CASING ASSEMBLY (SOFT TOP)	Red	R.H.	AY27	1
850577			L.H.	AY28	1
850580		Blue	R.H.	AY27	1
850579			L.H.	AY28	1
850582		Black	R.H.	AY27	1
850581			L.H.	AY28	1
610624		Stud, durable dot		AY29	2
565760		Eyelet, clinch		AY30	2
					} Hoodstick quarter cover attachment

Note:—Items marked thus † are available on our Factory Exchange Unit Scheme

BODY AND FITTINGS

Part No.	Description	Plate No.	No. per Unit	Remarks		
BODY TRIM (continued)						
806318	REAR QUARTER CASING ASSEMBLY (HARD TOP) Piping, white P.V.C. Stud, durable dot } Hoodstick quarter Rivet, Imex } cover attachment Screw, S/T } Rear quarter Washer, cup } casing to body	Red	R.H.	AY31	1	
806317		L.H.	AY32	1		
806320		Blue	R.H.	AY31	1	
806319		L.H.	AY32	1		
806322		Black	R.H.	AY31	1	
806321		L.H.	AY32	1		
650323					as req'd.	
610624				AY29	4	} For use on soft top models only
561210					4	
509279					8	
CD24152				8		
564843	REAR WHEELARCH COVER ASSEMBLY	Red	R.H.	AY33	1	
564842		L.H.	AY34	1		
564845		Blue	R.H.	AY33	1	
564844		L.H.	AY34	1		
564847		Black	R.H.	AY33	1	} Coarse Grain
564846		L.H.	AY34	1		
572616		Black	R.H.		1	} Fine Grain
572615		L.H.		1		
806135		PETROL TANK CASING BOARD ASSEMBLY—REAR	AY35	1		
509656		Screw, S/T		8		
503208	Washer, plain	} Casing board attachment	8			
FJ2544	Nut, spire		4			
FJ2464	Nut, spire		4			
850388	TRUNK FLOOR AND SPARE WHEEL COVER ASSEMBLY	AY36	1	Fitted up to Body No. 14208CT only		
806837	TRUNK FLOOR AND SPARE WHEEL COVER ASSEMBLY		1	Fitted from Body No. 14209CT and future		
553252	Button	} Trunk floor and spare wheel cover attachment	AY8	2		
554517	Socket		AY9	2		

Note:—Items marked thus † are available on our Factory Exchange Unit Scheme

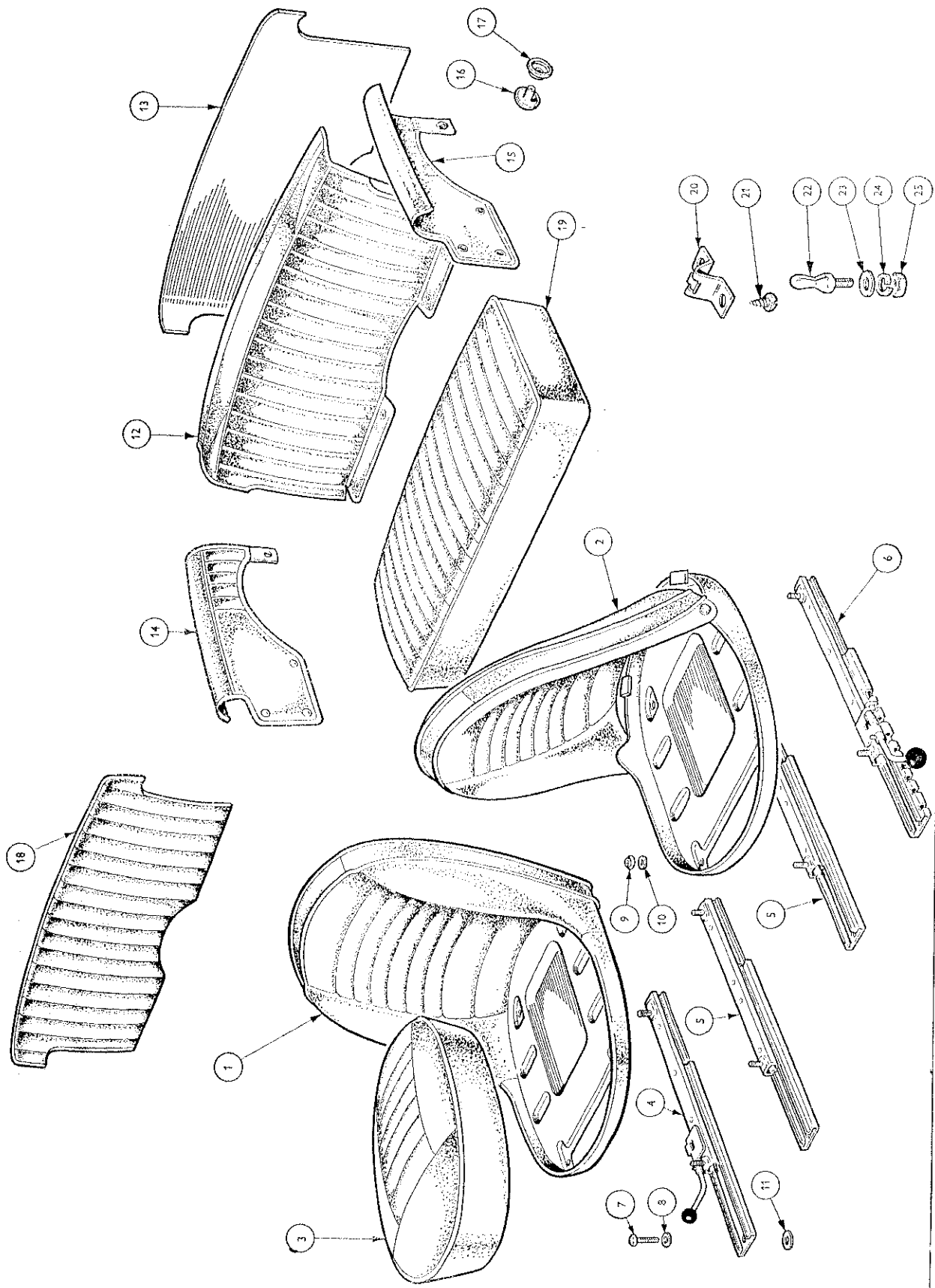


PLATE AZ

BODY AND FITTINGS

Part No.	Description	Plate No.	No. per Unit	Remarks				
564761	FRONT SEAT FRAME & SQUAB ASSEMBLY, VYNIDE TRIM —	Red	Drivers	AZ1	1	Fitted up to Body No. 15076CT. All colours except Black Leather Trim which was fitted up to Body No. 14850CT only		
564767			Passengers	AZ2	1			
564762		Blue	Drivers	AZ1	1			
564768			Passengers	AZ2	1			
564763		Black	Drivers	AZ1	1			
564769			Passengers	AZ2	1			
556647		Cover assembly, Front seat squab, Vynide Trim	Red				2	
556648				Blue				2
556649					Black			2
564764		FRONT SEAT FRAME & SQUAB ASSEMBLY, LEATHER TRIM — R.H. STEERING	Red	Drivers	AZ1		1	Supplied to Special Order only
564770	Passengers			AZ2	1			
564765	Blue		Drivers	AZ1	1			
564771			Passengers	AZ2	1			
564766	Black		Drivers	AZ1	1			
564772			Passengers	AZ2	1			
556653	Cover assembly, Front seat squab, Leather Trim		Red			2		
556654				Blue			2	
556655					Black		2	
555437	Pad, hairlok, squab					2		
564761	FRONT SEAT FRAME & SQUAB ASSEMBLY, VYNIDE TRIM	Red	Drivers		1	Fitted from Body No. 15077CT up to Body No.15273CT Black Vynide, 15235CT Red Leather, 17130CT Red Vynide, 15636CT Blue Leather, 18204CT Blue Vynide only		
564767			Passengers		1			
564762		Blue	Drivers		1			
564768			Passengers		1			
564763		Black	Drivers		1			
564769			Passengers		1			
556647		Cover assembly, Front seat squab, Vynide Trim	Red				2	
556648				Blue				2
556649					Black			2
564764		FRONT SEAT FRAME & SQUAB ASSEMBLY, LEATHER TRIM	Red	Drivers			1	Supplied to Special Order only
564770	Passengers				1			
564765	Blue		Drivers		1			
564771			Passengers		1			
556653	Cover assembly, Front seat squab, Leather Trim		Red			2		
556654				Blue			2	
555437					Black		2	
555437	Pad, hairlok, squab					2		

Note:—Items marked thus † are available on our Factory Exchange Unit Scheme

BODY AND FITTINGS

Part No.	Description	Plate No.	No. per Unit	Remarks			
567824	FRONT SEAT FRAME & SQUAB ASSEMBLY, VYNIDE TRIM	Red	Drivers	1	Fitted from Body No. 14851CT Black Leather, 15274CT Black Vynide, 15236CT Red Leather 17131CT Red Vynide 15637CT Blue Leather 18205CT Blue Vynide up to 20694CT Black Leather, 20876CT Black Vynide, 20952CT Red Leather 20925CT Red Vynide 20170CT Blue Leather CT Blue Vynide only.		
567840			Passengers	1			
567825		Blue	Drivers	1			
567841			Passengers	1			
567826			Drivers	1			
567842	Black	Passengers	1				
567834	Cover assembly, Front seat squab, Vynide Trim	Red	2	Supplied to Special Order only			
567835		Blue	2				
567836		Black	2				
567847	FRONT SEAT FRAME & SQUAB ASSEMBLY, LEATHER TRIM	Red	Drivers			1	Supplied to Special Order only
567862			Passengers		1		
567848		Blue	Drivers		1		
567863			Passengers		1		
567849			Drivers		1		
567864	Black	Passengers	1				
567856	Cover assembly, Front seat squab, Leather Trim	Red	2		Supplied to Special Order only		
567857		Blue	2				
567858		Black	2				
806975	Pad, hairlok, squab		2	Supplied to Special Order only			
564773	FRONT SEAT CUSHION ASSEMBLY—VYNIDE TRIM	Red	AZ3			2	
564774		Blue	AZ3			2	
564775		Black	AZ3			2	
556633	Cover assembly, Front seat cushion, Vynide Trim	Red	2			Supplied to Special Order only	
556634		Blue	2				
556635		Black	2				
564776	FRONT SEAT CUSHION ASSEMBLY—LEATHER TRIM	Red	AZ3		2		Supplied to Special Order only
564777		Blue	AZ3		2		
564778		Black	AZ3		2		
556640	Cover assembly, Front seat cushion, Leather Trim	Red	2	Supplied to Special Order only			
556641		Blue	2				
556642		Black	2				
806222	Case, spring cushion		2		Supplied to Special Order only		
555438	Hairmat, cushion filling		2				

Note:—Items marked thus † are available on our Factory Exchange Unit Scheme

BODY AND FITTINGS

Part No.	Description	Plate No.	No. per Unit	Remarks		
566746	FRONT SEAT CUSHION ASSEMBLY — VYNIDE TRIM	Red	Drivers	1	Fitted from Body No. 1357CT Hard Top, and 4499CT Soft Top up to Body No. 14850CT Black Leather, 15273CT Black Vynide, 15235CT Red Leather, 17130CT Red Vynide, 15636CT Blue Leather, 18204CT Blue Vynide only	
564773			Passengers			
566747		Blue	Drivers			1
564774			Passengers			1
566748		Black	Drivers			1
564775			Passengers			1
566752	Cover assembly, Front seat cushion, Vynide Trim	Red	Drivers	1		
556633			Passengers			
566753		Blue	Drivers			1
556634			Passengers			1
566754		Black	Drivers			1
556635			Passengers			1
566749	FRONT SEAT CUSHION ASSEMBLY — LEATHER TRIM	Red	Drivers	1		
564776			Passengers			
566750		Blue	Drivers		1	
564777			Passengers		1	
566751		Black	Drivers		1	
564778			Passengers		1	
566755	Cover assembly, Front seat cushion, Leather Trim	Red	Drivers	1		
556640			Passengers			
566756		Blue	Drivers		1	
556641			Passengers		1	
566757		Black	Drivers		1	
556642			Passengers		1	
806222	Case, spring, cushion		2	Supplied to Special Order only		
555438	Hairmat, cushion filling		2			
567828	FRONT SEAT CUSHION ASSEMBLY — VYNIDE TRIM	Red	2	Fitted from Body No. 14851CT Black Leather, 15274CT Black Vynide, 15236CT Red Leather, 17131CT Red Vynide, 15637CT Blue Leather, 18205CT Blue Vynide, up to Body No. 20694CT Black Leather, 20876CT Black Vynide, 20952CT Red Leather, 20925CT Red Vynide, 20170CT Blue Leather, CT Blue Vynide only.		
567829		Blue	2			
567830		Black	2			
567831	Cover assembly, Front seat cushion, Vynide Trim	Red	2			
567832		Blue	2			
567833		Black	2			
567850	FRONT SEAT CUSHION ASSEMBLY — LEATHER TRIM	Red	2			
567851		Blue	2			
567852		Black	2			
567853	Cover assembly, Front seat cushion, Leather Trim	Red	2			
567854		Blue	2			
567855		Black	2			
903310	Case, spring, cushion		2	Supplied to Special Order only		
706700	Pad, polyether, front		2			
706701	Pad, polyether, rear		2			

Note:—Items marked thus † are available on our Factory Exchange Unit Scheme

BODY AND FITTINGS

Part No.	Description	Plate No.	No. per Unit	Remarks
903424	FRONT SEAT ASSEMBLY — R.H. COMPLETE WITH CUSHION, VYNIDE TRIM	Red	1	} Supplied to Special Order only } Supplied to Special Order only } Fitted from Body No. 20695CT Black Leather, 20877CT Black Vynide, 20953CT Red Leather, 20926CT Red Vynide, 20171CT Blue Leather, CT Blue Vynide and future
903425		Blue	1	
903426		Black	1	
903430	FRONT SEAT ASSEMBLY — R.H. COMPLETE WITH CUSHION, LEATHER TRIM	Red	1	
903431		Blue	1	
903432		Black	1	
807360	Frame, front seat		1	
613297	Webbing, reinforcement, seat squab, top		1	
613298	Webbing, reinforcement, seat squab, upper centre		1	
613299	Webbing, reinforcement, seat squab, lower centre		1	
613860	Webbing, reinforcement, seat squab, bottom		1	
807091	Pad, polyether, squab		1	
706761	Roll, edge, squab	R.H.	1	
706762		L.H.	1	
568727	Cover assembly, seat squab, Vynide Trim	Red	1	
568728		Blue	1	
568729		Black	1	
568733	Cover assembly, seat squab, Leather Trim	Red	1	
568734		Blue	1	
568735		Black	1	
608817	Clip, squab cover to frame		25	
807386	Board assembly, squab, rear	Red	1	
807387		Blue	1	
807388		Black	1	
613770	Clip } Rear squab board		3	
613769	Clip } to frame		6	
613869	Clip } Rear squab board finisher		5	
610520	Clip } to frame		7	
613768	Diaphragm assembly, seat cushion		1	
613776	Clip } Diaphragm to		4	
612261	Clip } frame		6	
707053	Pad, seat cushion		1	
612273	Spring, cushion tension		1	
568761	Cover assembly, seat cushion, Vynide Trim	Red	1	
568762		Blue	1	
568763		Black	1	
568767	Cover assembly, seat cushion, Leather Trim	Red	1	
568768		Blue	1	
568769		Black	1	
608817	Clip, trim, cushion cover to seat frame		3	

Note:—Items marked thus † are available on our Factory Exchange Unit Scheme

BODY AND FITTINGS

Part No.	Description	Plate No.	No. per Unit	Remarks
SEAT SLIDES				
705962	Seat slide, assembly, adjustable, R.H.	AZ4	1	} Fitted up to Body No. 20694CT Black Leather, 20876CT Black Vynide, 20952CT Red Leather, 20925CT Red Vynide, 20170CT Blue Leather, CT Blue Vynide only.
705960	Seat slide, plain	AZ5	2	
705961	Seat slide, assembly, adjustable, L.H.	AZ6	1	
HU0708	Screw, set	AZ7	8	
WP0007	Washer, plain	AZ8	8	
YN2907	Nut, nyloc	AZ9	8	
WP0007	Washer, plain	AZ10	8	
WM0817	Spacer, between seat slide and carpet	AZ11	8	
807376	Seat slide, assembly		2	
HU0708	Screw, set		8	
WP0007	Washer, plain		8	
HU0806	Screw, set		4	} Fitted from Body No. 20695CT Black Leather, 20877CT Black Vynide, 20953CT Red Leather, 20926CT Red Vynide, 20171CT Blue Leather, CT Blue Vynide and future
WP0133	Washer, plain		8	
YN2908	Nut, nyloc		4	
613303	Spring, seat retaining		2	
613746	Buffer, rubber		4	
YL6512	Screw		4	
WP0117	Washer, plain		6	
613745	Washer, csk. head		4	

Note:—Items marked thus † are available on our Factory Exchange Unit Scheme

BODY AND FITTINGS

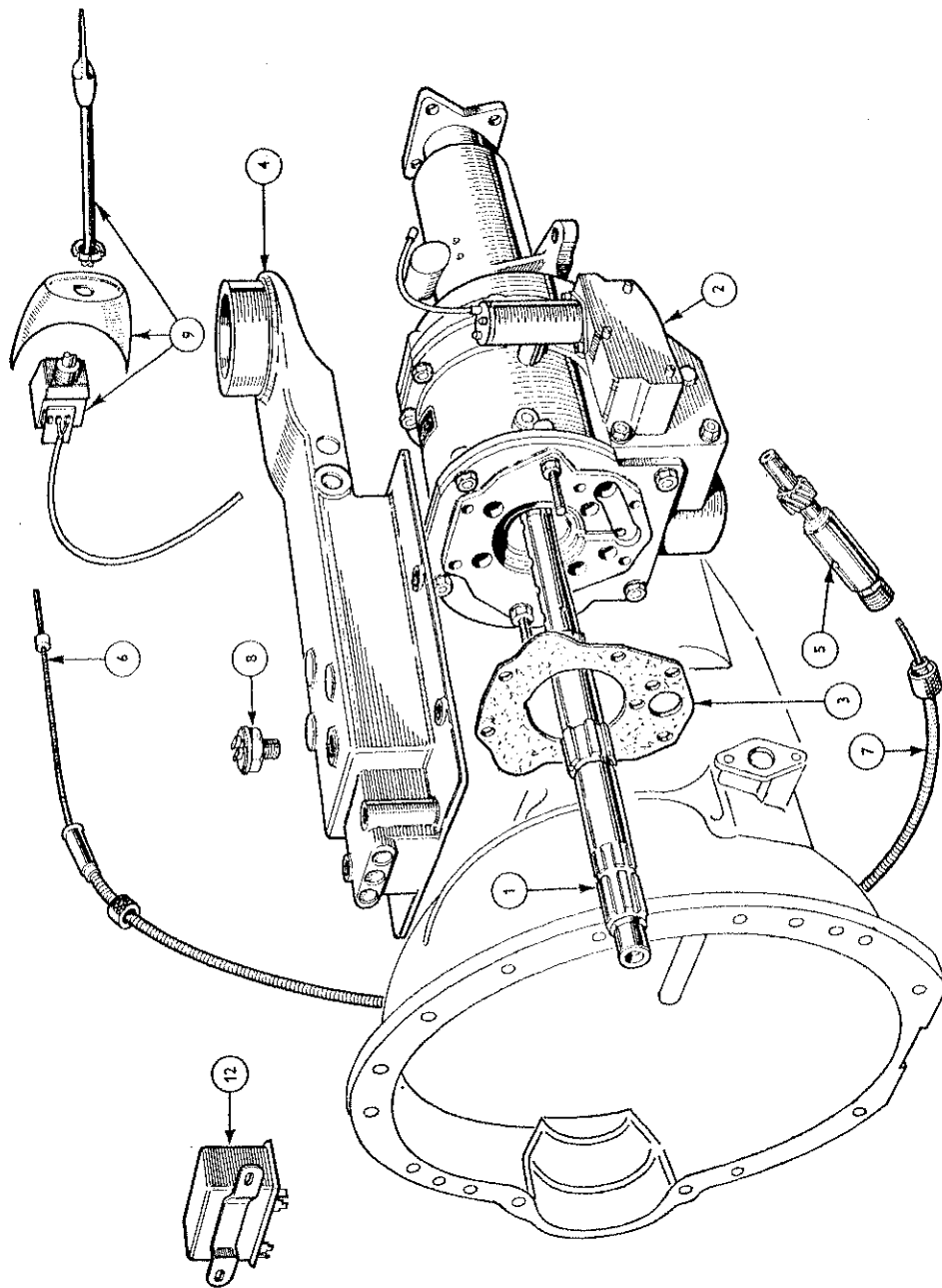
Part No.	Description	Plate No.	No. per Unit	Remarks	
806248	REAR SQUAB TRIMMED ASSEMBLY (SOFT TOP)	Red	AZ12	1	
806249		Blue	AZ12	1	
806250		Black	AZ12	1	
806307	Pad assembly, rear squab			1	
650323	Piping, P.V.C.			as req'd.	
806310	Backboard, rear squab assembly	AZ13		1	
509279	Screw, S/T., backboard to body			8	
564883	COVER ASSEMBLY — HOODSTICK QUARTER (SOFT TOP)	Red	R.H.	AZ14	1
564882			L.H.	AZ15	1
564885		Blue	R.H.	AZ14	1
564884			L.H.	AZ15	1
564887		Black	R.H.	AZ14	1
564886			L.H.	AZ15	1
650323	Piping, P.V.C.			as req'd.	
565747	Button, dot	} Quarter cover assembly	AZ16	8	
565748	Socket, dot		AZ17	8	
850565	REAR SQUAB TRIMMED ASSEMBLY (HARD TOP)	Red	AZ18	1	
850566		Blue	AZ18	1	
850567		Black	AZ18	1	
507819	Screw, S/T	} Rear squab to body		6	
CD24152	Washer, cup			6	
706041	OCCASIONAL REAR SEAT TRIMMED LEATHERCLOTH	Red	AZ19	1	
706042		Blue	AZ19	1	
706043		Black	AZ19	1	
706049	OCCASIONAL REAR SEAT TRIMMED LEATHER	Red	AZ19	1	
706050		Blue	AZ19	1	
706051		Black	AZ19	1	
565631	Cover assembly, occasional rear seat	} Red		1	
565632	Leathercloth Trim		Blue	1	
565633			Black	1	
565639	Cover assembly, occasional rear seat	} Red		1	
565640	Leather Trim		Blue	1	
565641			Black	1	
706027	Pad, base			1	
562604	Latch, spring, seat attachment		AZ20	1	
TH4603	Screw, wood, spring latch to seat		AZ21	4	
561341	Stud, ball, securing seat to seat pan		AZ22	2	
WP0005	Washer, plain	} Ball stud to occasional rear seat pan	AZ23	2	
WL0205	Washer, lock		AZ24	2	
HN2005	Nut		AZ25	2	
SAFETY HARNESS ATTACHMENTS					
510066	Screw, set	} Safety harness attachment to rear wheelarch and propshaft tunnel		8	
510065	Washer, plain			8	
503438	Washer, lock			8	
WF0537	Washer, fibre			4	
CD27769	Plug, blanking redundant hole when 2 point fixing harness is fitted			4	
612531	Bolt, eye, safety harness fixing			4	
612532	Washer, tunnel, reinforcement			2	
YN2910	Nut, nyloc, securing eyebolt			4	
TN3210	Nut, nyloc, thin, securing eyebolt			4	

Note:—Items marked thus † are available on our Factory Exchange Unit Scheme

MISCELLANEOUS BODY FITTINGS

Part No.	Description	Plate No.	No. per Unit	Remarks	
BLANKING PLUGS					
600399	Plug, blanking	Main floor, L. and R.H. Spare wheel pan Occasional seat pan L. and R.H. main floor Spare wheel pan Floor jacking holes Gearbox cover	Paint drainage	4	
600399				2	
600399				2	
CD25672				2	
CD25672				1	
603384				2	
605602		1	Not required when Overdrive fitted		

Note:—Items marked thus † are available on our Factory Exchange Unit Scheme



B735

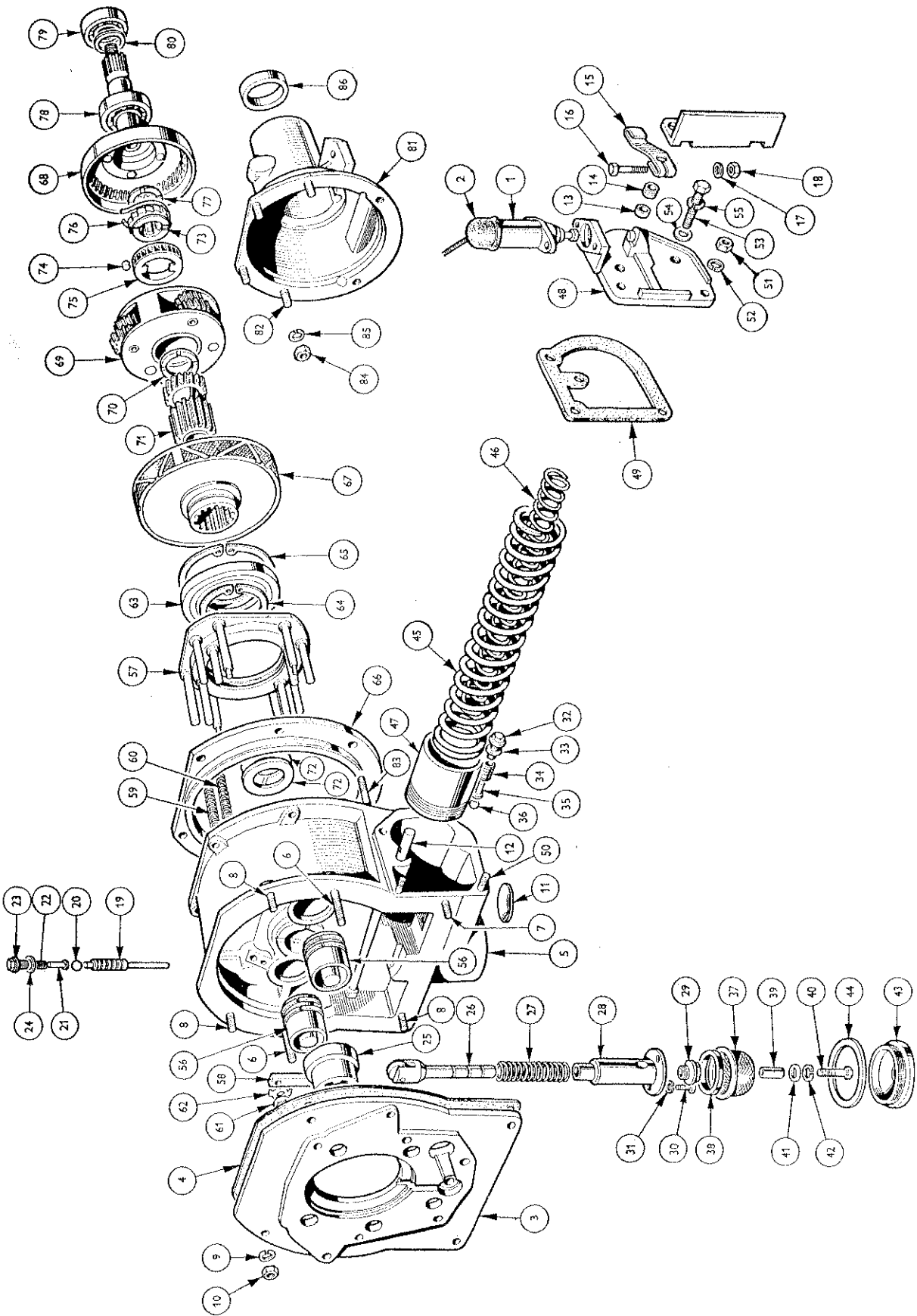
PLATE BA

TRIUMPH SPORTS CAR 20 TR4

OVERDRIVE

Part No.	Description	Plate No.	No. per Unit	Remarks
511021	OVERDRIVE KIT — R.H. STEERING		1	
208052	Mainshaft, gearbox	BA1	1	
305063	Overdrive unit (for details see pages 122 to 124)	BA2	1	
132465	Washer, overdrive unit to gearbox	BA3	1	
511027	Cover, top assembly	BA4	1	
107749	Gear, speedo driven, and bearing assembly	BA5	1	
504611/I	Cable { Inner, speedometer	BA6	1	
504611/O		Outer, speedometer	BA7	1
131338	Harness, overdrive		1	
131339	Harness, gearbox		1	
127380	Switch, gearbox	BA8	2	
132424	Switch, overdrive, fitted on steering column shroud	BA9	1	
611982	Escutcheon, overdrive switch, on steering column shroud	BA10	1	
WP0022	Washer, plain } Overdrive switch		1	
609792		Bezel	BA11	1
126792	Relay	BA12	1	
502146	Washer, cardboard } Relay Attachment		2	
TP0404		Screw, set		2
HN2004		Nut		2
WL0204		Washer, lock		2
WP0004		Washer, plain		2
601410	Clip, attaching rev. counter cable		1	
902649	Cover, assembly, gearbox		1	
612715	Grommet, gearbox cover, overdrive unit cable		1	
104449	Plug, welch		4	
54505	Plug, welch		2	
511020	OVERDRIVE KIT — L.H. STEERING		1	
208052	Mainshaft, gearbox	BA1	1	
305063	Overdrive unit (For details see pages 122 to 124)	BA2	1	
132465	Washer, overdrive unit to gearbox	BA3	1	
511027	Cover, top assembly	BA4	1	
60259	Gear, speedo driven and bearing assembly	BA5	1	
504605/I	Cable { Inner, speedometer	BA6	1	
504605/O		Outer, speedometer	BA7	1
131338	Harness, overdrive		1	
131339	Harness, gearbox		1	
127380	Switch, gearbox	BA8	2	
132423	Switch, overdrive, fitted on steering column shroud	BA9	1	
611982	Escutcheon, overdrive switch, on steering column shroud	BA10	1	
WP0022	Washer, plain } Overdrive switch		1	
609792		Bezel	BA11	1
126792	Relay	BA12	1	
502146	Washer, cardboard } Relay Attachment		2	
TP0404		Screw, set		2
HN2004		Nut		2
WL0204		Washer, lock		2
WP0004		Washer, plain		2
902649	Cover assembly, gearbox		1	
612715	Grommet, gearbox cover, overdrive unit cable		1	
104449	Plug, welch		4	
54505	Plug, welch		2	

Note:—Items marked thus † are available on our Factory Exchange Unit Scheme



B7 36

PLATE BB

TRIUMPH SPORTS CAR 20 TR4

OVERDRIVE

Part No.	Description	Plate No.	No. per Unit	Remarks
305063	† OVERDRIVE UNIT ASSEMBLY		1	
112946	Solenoid	BB1	1	
109521	Cover , rubber, solenoid	BB2	1	
208098	Plate , adaptor, overdrive unit to gearbox	BB3	1	
502556	Washer , joint, between adaptor plate and front casing assembly	BB4	1	
503159	Casing , front, assembly	BB5	1	
500576	Stud , 2 $\frac{3}{8}$ "	BB6	2	} Adaptor plate attachment
500666	Stud , 1"	BB7	1	
500578	Stud , 1 $\frac{1}{4}$ "	BB8	3	
WL0208	Washer , lock	BB9	6	
HN2008	Nut	BB10	6	
500570	Plug , welch, in casing	BB11	1	
500574	Shaft , valve operating	BB12	1	
500618	Lever , setting, for shaft		1	
500593	Pin , taper, lever to shaft		1	
505508	Cam , lever		1	
500593	Pin , taper, cam to shaft		1	
500594	Seal , oil, for shaft	BB13	2	
502567	Collar , for shaft	BB14	1	
502568	Lever , solenoid	BB15	1	
503163	Bolt	BB16	1	} Lever to shaft
505550	Washer , plain	BB17	1	
503164	Nut	BB18	1	
500658	Valve , operating	BB19	1	
BL0020	Ball , steel	BB20	1	} Operating valve
500591	Plunger	BB21	1	
500592	Spring	BB22	1	
500582	Plug	BB23	1	
500568	Washer , on plug	BB24	1	
500627	Cam , oil pump operating	BB25	1	
500597	Plunger assembly, oil pump	BB26	1	
500633	Spring ,	BB27	1	} Pump plunger
500581	Guide , peg		1	
505507	Body , oil pump	BB28	1	
500585	Plug , in pump body	BB29	1	
TF2504	Screw , set	BB30	2	} Pump to casing
503166	Washer , spring	BB31	2	
500582	Plug	BB32	1	} Oil pump valve
500568	Washer	BB33	1	
500592	Spring	BB34	1	
500591	Plunger	BB35	1	
BL0020	Ball , steel	BB36	1	
509884	Filter , oil	BB37	1	
509885	Magnet , oil filter	BB38	1	
505551	Tube , distance, oil filter	BB39	1	
103270	Bolt	BB40	1	
WP0005	Washer , plain	BB41	1	} Oil filter attachment
503166	Washer , spring	BB42	1	
500620	Plug , oil drain	BB43	1	
500641	Washer , drain plug	BB44	1	

Note:—Items marked thus † are available on our Factory Exchange Unit Scheme

OVERDRIVE

Part No.	Description	Plate No.	No. per Unit	Remarks
OVERDRIVE UNIT ASSEMBLY (continued)				
500634	Spring, pressure, accumulator {	Large	BB45	1
503167		Small	BB46	1
502565	Piston assembly, accumulator	BB47	1	
500605	Ring, piston		2 sets	
502566	Bracket assembly, solenoid	BB48	1	
500645	Washer, joint, side cover	BB49	1	
500577	Stud	BB50	2	
HN2008	Nut } Attaching Washer, lock } solenoid bracket Screw, set } to Washer, plain } front casing Washer, lock }	BB51	2	
WL0208		BB52	2	
103268		BB53	2	
WP0008		BB54	2	
WL0208	Washer, lock	BB55	2	
502560	Breather		1	
503161	Piston, operating	BB56	2	
503162	Ring, piston		4	
500660	Ring, clutch thrust, assembly with pins	BB57	1	
500587	Piece, bridge	BB58	2	
500631	Spring, clutch {	Long	BB59	4
500632		Short	BB60	4
HN2007	Nut } Clutch thrust Washer, tab } ring attachment	BB61	4	
500642		BB62	4	
500640	Bearing, ball, clutch thrust ring	BB63	1	
500636	Circlip } Ball bearing Circlip } location	BB64	1	
500637		BB65	1	
502555	Ring, brake, clutch	BB66	1	
500661	Clutch assembly, sliding member with linings	BB67	1	
500602	Annulus assembly	BB68	1	
505545	Planet carrier assembly	BB69	1	
505546	Bearing, planet		6 sets	
505547	Washer, thrust		3	
500611	Washer, thrust	BB70	1	
505549	Sunwheel assembly	BB71	1	
500588/A	Washer, adjusting, front of sunwheel {	.113/.114"	BB72	as req'd.
500588/B		.107/.108"	BB72	as req'd.
500588/C		.101/.102"	BB72	as req'd.
500588/D		.095/.096"	BB72	as req'd.
500588/E		.089/.090"	BB72	as req'd.
500588/F		.083/.084"	BB72	as req'd.
500588/G		.077/.078"	BB72	as req'd.
502558	Clutch, uni-directional, inner member	BB73	1	
502550	Roller set	BB74	1	
502559	Cage, roller	BB75	1	
500630	Spring, clutch	BB76	1	
500613	Washer, thrust, rear of uni-directional clutch	BB77	1	
SP74G	Bearing, ball, front, for annulus	BB78	1	
SP75G	Bearing, ball, rear, for annulus	BB79	1	
500623/E	Washer, adjusting, annulus end float {	.146"	BB80	as req'd.
500623/F		.151"	BB80	as req'd.
500623/G		.156"	BB80	as req'd.
500623/H		.161"	BB80	as req'd.
500623/J		.166"	BB80	as req'd.

Note:—Items marked thus † are available on our Factory Exchange Unit Scheme

OVERDRIVE

Part No.	Description	Plate No.	No. per Unit	Remarks
OVERDRIVE UNIT ASSEMBLY (continued)				
500655	Casing, rear, with studs	BB81	1	
500756	Stud	BB82	4	
500579	Stud	BB83	2	} Rear casing attachment
HN2008	Nut	BB84	6	
WL0208	Washer, lock	BB85	6	
123493	Seal, oil, in rear casing	BB86	1	
510921	†OVERDRIVE GEARBOX ASSEMBLY		1	
	(Less Gear Lever)			
	Comprising :- Top Cover Assembly 511027, Mainshaft 208052 and all other details in Gearbox Section less Gearbox Extension 305048.			

Note:—Items marked thus † are available on our Factory Exchange Unit Scheme

ACCESSORIES AND SPECIAL ORDERS

Part No.	Description	Plate No.	No. per Unit	Remarks
502126	ALUMINIUM OIL SUMP KIT		1	
301318	Sump, oil		1	
201984	Tray, oil sump		1	
108448	Plug		1	
WF0524	Washer, fibre, on plug		1	
V7535	Plug, oil drain		1	
WF0524	Washer, fibre, on plug		1	
56646	Washer, joint, oil sump		1	
HU0859	Screw, set, sump to cylinder block		16	
HU0858	Screw, set, sump to front sealing block		1	
HB0860	Bolt, slave cylinder stay, breather pipe clip and sump to block		2	
WL0208	Washer, spring, on bolts and screws		19	
119414	SPARKING PLUG		4	For Competition requirements only
132766	FLYWHEEL ASSEMBLY (LIGHTENED)		1	} For Competition requirements only
202834	Gear, ring	} Ring gear to flywheel	1	
112030	Bolt		6	
115776	Washer, tab		6	
510990	STARTING HANDLE KIT			1
131818	Starting handle assembly		1	
706163	Bracket, guide		1	
612082	Plug, guide hole		1	
510239	Screw, set	} Guide bracket to front bumper	2	
WP0005	Washer, plain		2	
WL0205	Washer, lock		2	
HN2005	Nut		2	
510590	TWO SPEED WINDSCREEN WIPER KIT		1	
511093	†Motor and gearbox		1	
511001	Bolt, fixing		2	
511094	Cover, and bearing, commutator end		1	
508169	Brush gear		1	
508170	Brush set		1	
57492	Spring, brush		1	
511003	Armature		1	
511095	Coil, field		1	
511005	Stud, fixing		3	
511096	Rod, connecting		1	
511007	Shaft and gear		1	
505869	Sundry parts set		1	
132852	Switch		1	
704887	Knob		1	
609795	Bezel		1	
131988	Cable set		1	
505187	Connector, snap		1	
509672	Sleeve, connector		1	
514600	"POWER STOP" VACUUM SERVO KIT		1	
307245	WOODEN STEERING WHEEL ASSEMBLY		1	

Note:—Items marked thus † are available on our Factory Exchange Unit Scheme

ACCESSORIES AND SPECIAL ORDERS

Part No.	Description	Plate No.	No. per Unit	Remarks
502126	ALUMINIUM OIL SUMP KIT		1	
301318	Sump, oil		1	
201984	Tray, oil sump		1	
108448	Plug		1	
WF0524	Washer, fibre, on plug		1	
V7535	Plug, oil drain		1	
WF0524	Washer, fibre, on plug		1	
56646	Washer, joint, oil sump		1	
HU0859	Screw, set, sump to cylinder block		16	
HU0858	Screw, set, sump to front sealing block		1	
HB0860	Bolt, slave cylinder stay, breather pipe clip and sump to block		2	
WL0208	Washer, spring, on bolts and screws		19	
119414	SPARKING PLUG		4	For Competition requirements only
132766	FLYWHEEL ASSEMBLY (LIGHTENED)		1	} For Competition requirements only
202834	Gear, ring		1	
112030	Bolt	} Ring gear to flywheel	6	
115776	Washer, tab		6	
510990	STARTING HANDLE KIT		1	
131818	Starting handle assembly		1	
706163	Bracket, guide		1	
612082	Plug, guide hole		1	
510239	Screw, set		2	} Guide bracket to front bumper
WP0005	Washer, plain		2	
WL0205	Washer, lock		2	
HN2005	Nut		2	
510590	TWO SPEED WINDSCREEN WIPER KIT		1	
511093	†Motor and gearbox		1	
511001	Bolt, fixing		2	
511094	Cover, and bearing, commutator end		1	
508169	Brush gear		1	
508170	Brush set		1	
57492	Spring, brush		1	
511003	Armature		1	
511095	Coil, field		1	
511005	Stud, fixing		3	
511096	Rod, connecting		1	
511007	Shaft and gear		1	
505869	Sundry parts set		1	
132852	Switch		1	
704887	Knob		1	
609795	Bezel		1	
131988	Cable set		1	
505187	Connector, snap		1	
509672	Sleeve, connector		1	
514600	"POWER STOP" VACUUM SERVO KIT		1	
307245	WOODEN STEERING WHEEL ASSEMBLY		1	

Note:—Items marked thus † are available on our Factory Exchange Unit Scheme

ACCESSORIES AND SPECIAL ORDERS

Part No.	Description	Plate No.	No. per Unit	Remarks
608467/M	WING MIRROR—'MORGAN' TYPE		2	
505825	Plinth, base, mirror		2	
510706	REVERSE LAMP KIT		1	} Fitted up to Commission No. CT only.
128192	Lamp, reverse, assembly		2	
127830	Switch		1	
131340	Lead, tail } Alternative		1	
131341	Harness } to 70280		1	
70280	Cable, Alternative to 131340, 131341		11 ft.	
609909	Washer, lens seating		2	
511166	REVERSE LAMP KIT		1	} Fitted from Commission No. CT and future.
128192	Lamp, reverse, assembly		1	
127380	Switch		1	
131341	Harness		1	
133510	Lead		1	
511165	Tube, P.V.C.		1	
609909	Washer, lens, seating		1	
502160	WHEEL RIM FINISHER		4	
566337	TONNEAU COVER ASSEMBLY KIT R.H. STEERING—BLACK		1	
705990	Cover, assembly, tonneau, Black		1	
611707	Bracket, assembly, fixing	} Centre	1	
611709			Outer	2
610624	Stud, clinch type	} Fitted to door outer panels	6	
509279	Screw, S/T		6	
565752	Stud, fitted to passenger seat		1	
566338	TONNEAU COVER ASSEMBLY KIT R.H. STEERING—WHITE		1	
705992	Cover, assembly, tonneau, White		1	
611707	Bracket, assembly, fixing	} Centre	1	
611709			Outer	2
610624	Stud, clinch type	} Fitted to door outer panels	6	
509279	Screw, S/T		6	
565752	Stud, fitted to passenger seat		1	
566339	TONNEAU COVER ASSEMBLY KIT L.H. STEERING—BLACK		1	
705989	Cover, assembly, tonneau, Black		1	
611707	Bracket, assembly, fixing	} Centre	1	
611709			Outer	2
610624	Stud, clinch type	} Fitted to door outer panels	6	
509279	Screw, S/T		6	
565752	Stud, fitted to passenger seat		1	
566340	TONNEAU COVER ASSEMBLY KIT L.H. STEERING—WHITE		1	
705991	Cover, assembly, tonneau, White		1	
611707	Bracket, assembly, fixing	} Centre	1	
611709			Outer	2
610624	Stud, clinch type	} Fitted to door outer panels	6	
509279	Screw, S/T		6	
565752	Stud, fitted to passenger seat		1	

Note:—Items marked thus † are available on our Factory Exchange Unit Scheme

ACCESSORIES AND SPECIAL ORDERS

Part No.	Description	Plate No.	No. per Unit	Remarks
564153	SAFETY HARNESS KIT—2 Point Fixing		1	
564154	SAFETY HARNESS KIT—3 Point Fixing		1	
568496	SAFETY HARNESS KIT—3 Point Fixing (EYE BOLT TYPE)		1	
568511	SAFETY HARNESS KIT—2 Point Fixing (EYE BOLT TYPE)		1	
568784	SAFETY HARNESS KIT—LAP TYPE (EYE BOLT FIXING)		1	
SAFETY HARNESS ATTACHMENT DETAILS				
612531	Eyebolt, safety harness		4	} Fitted up to Commission No. CT23959
TN3210	Nut, nyloc, thin, eyebolt on propshaft tunnel		2	
YN2910	Nut, nyloc, eyebolt in 'B' post		1	
615984	Washer, assembly—Tunnel reinforcement		2	} Fitted from Commission No. CT23960 and future
615968	Bracket, stiffener assembly { L.H.		1	
615969		{ R.H.	1	
WL0210	Washer, lock		4	
59844	ELECTRIC DEFROSTER		1	
566298	ANTI-MIST PANEL—BACKLIGHT		1	
TOUCH-IN PAINT DETAILS				
CD31433	Black	{ Pencil	1	
556052		{ Spray	1	
CD31445	Signal Red	{ Pencil	1	
556047		{ Spray	1	
CD31446	British Racing Green	{ Pencil	1	
556046		{ Spray	1	
566457	Velasquez Cream	{ Pencil	1	
566456		{ Spray	1	
CD31642	Powder Blue	{ Pencil	1	
557883		{ Spray	1	
516516	Spa White	{ Pencil	1	
516515		{ Spray	1	
566330	SURREY CONVERSION KIT—BLACK		1	
806696	Canopy trim assembly—Black		1	
806603	Canopy assembly		1	
612092	Bush, end		2	
610624	Stud, durable		6	
566352	Rivet, pop		6	
706240	Retainer assembly, rear		1	
612205	Thumbscrew } Rear retainer to		2	
511044		Washer, plain } backlight frame	2	
565747	Button		2	
565748	Socket		2	

Note:—Items marked thus † are available on our Factory Exchange Unit Scheme

ACCESSORIES AND SPECIAL ORDERS

Part No.	Description	Plate No.	No. per Unit	Remarks
566458	SURREY CONVERSION KIT—WHITE		1	
806697	Canopy trim assembly—White		1	
806603	Canopy assembly		1	
612092	Bush, end		2	
610624	Stud, durable		6	
566352	Rivet, pop		6	
706240	Retainer assembly, rear		1	
612205	Thumbscrew	} Rear retainer to backlight frame	2	
511044	Washer, plain		2	
565747	Button		2	
565748	Socket		2	

Note:—Items marked thus † are available on our Factory Exchange Unit Scheme

PRINTED IN ENGLAND

by

H. A. SMITH & SON LIMITED

TORRINGTON AVENUE

COVENTRY