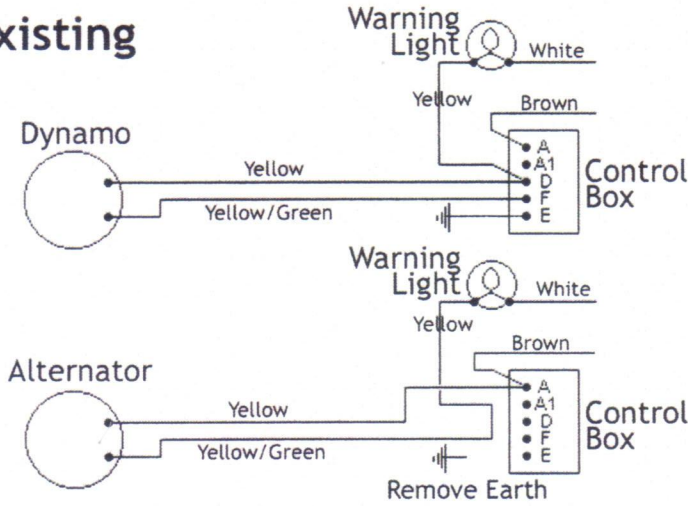


Wiring Instructions For Alternators To TR'S

TR2-3

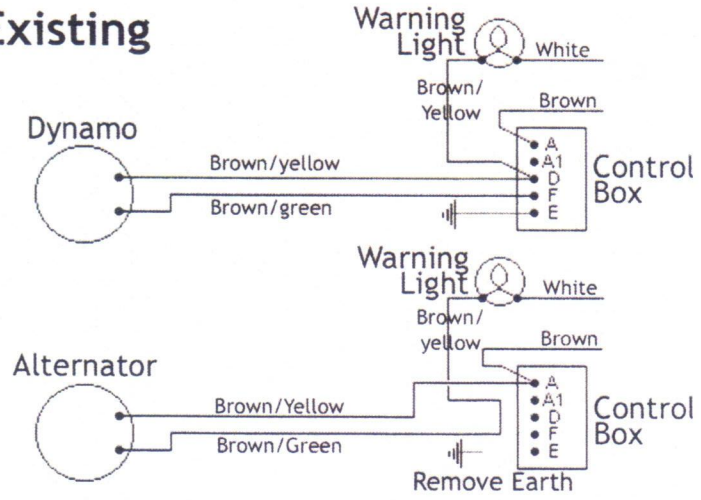
Existing



With Alternator / Dynalite

TR4

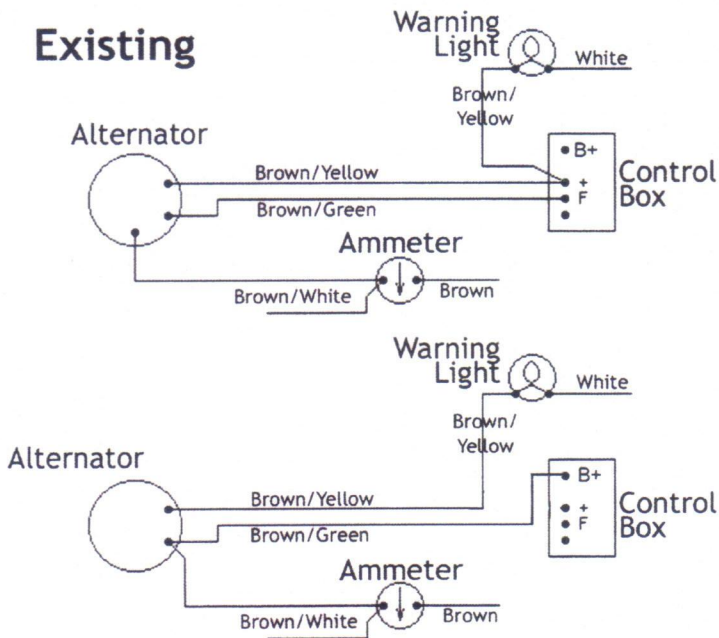
Existing



With Alternator / Dynalite

TR5-250

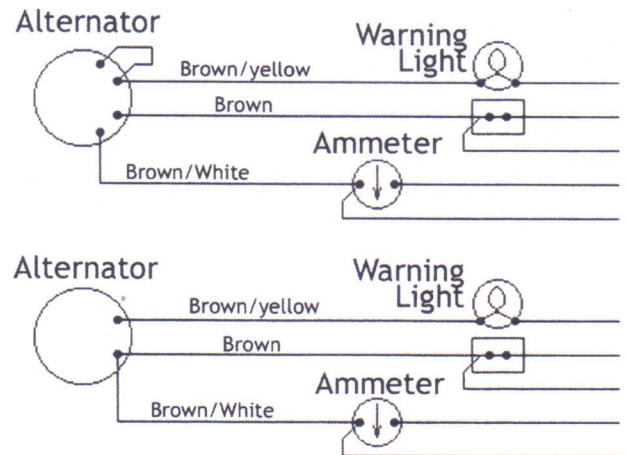
Existing



With Alternator

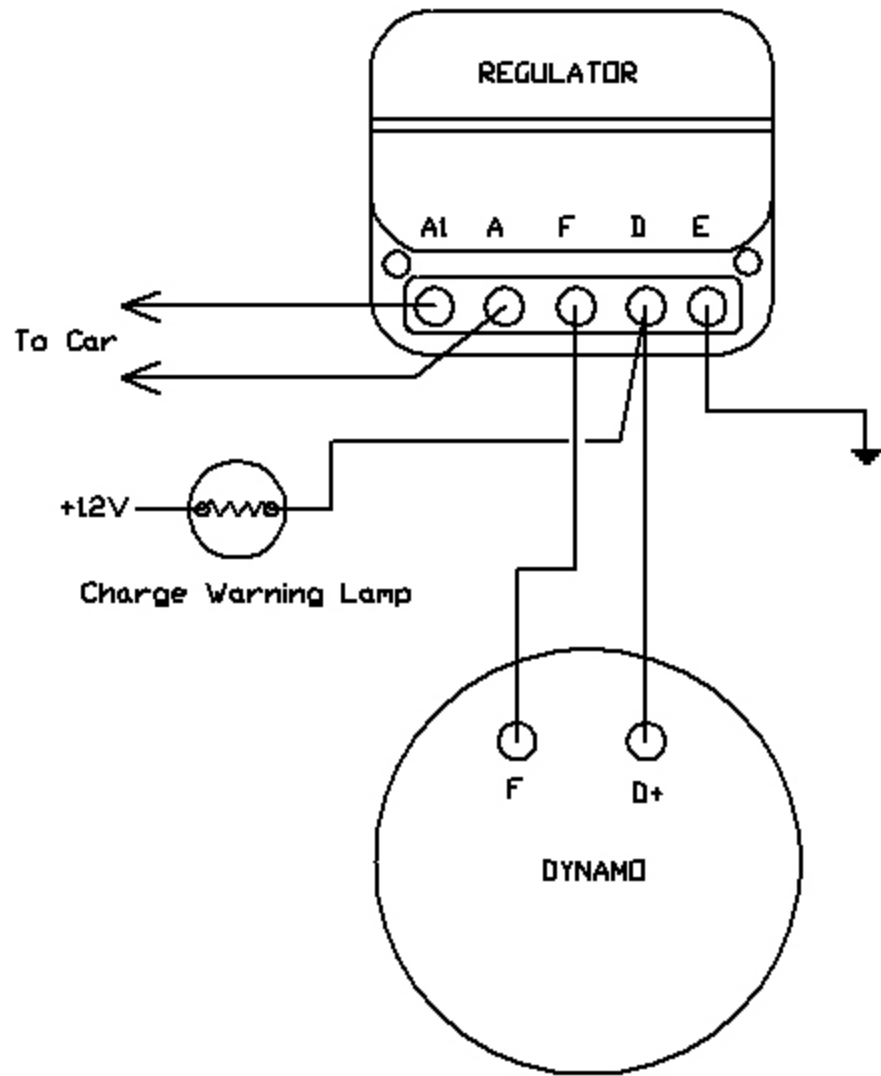
TR6

Existing

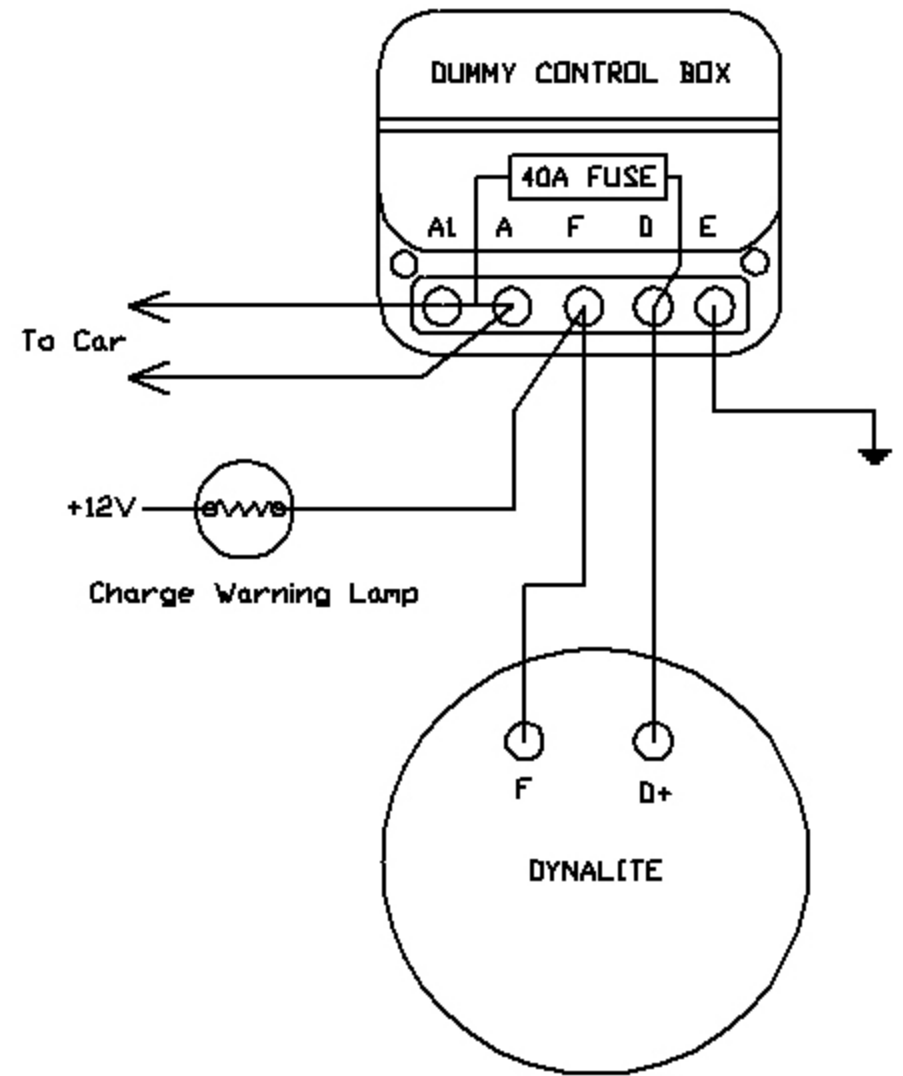


With Alternator

DYNALITE NEGATIVE EARTH WIRING WITH DUMMY CONTROL BOX

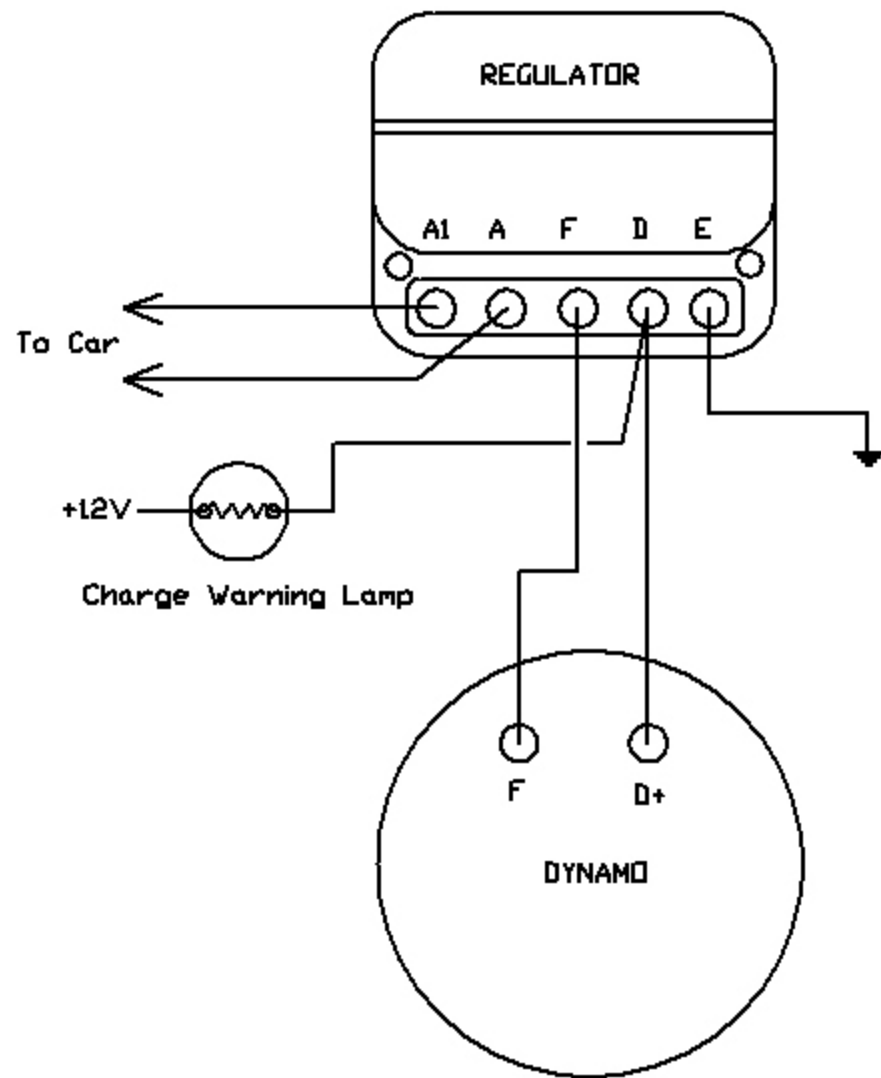


BEFORE

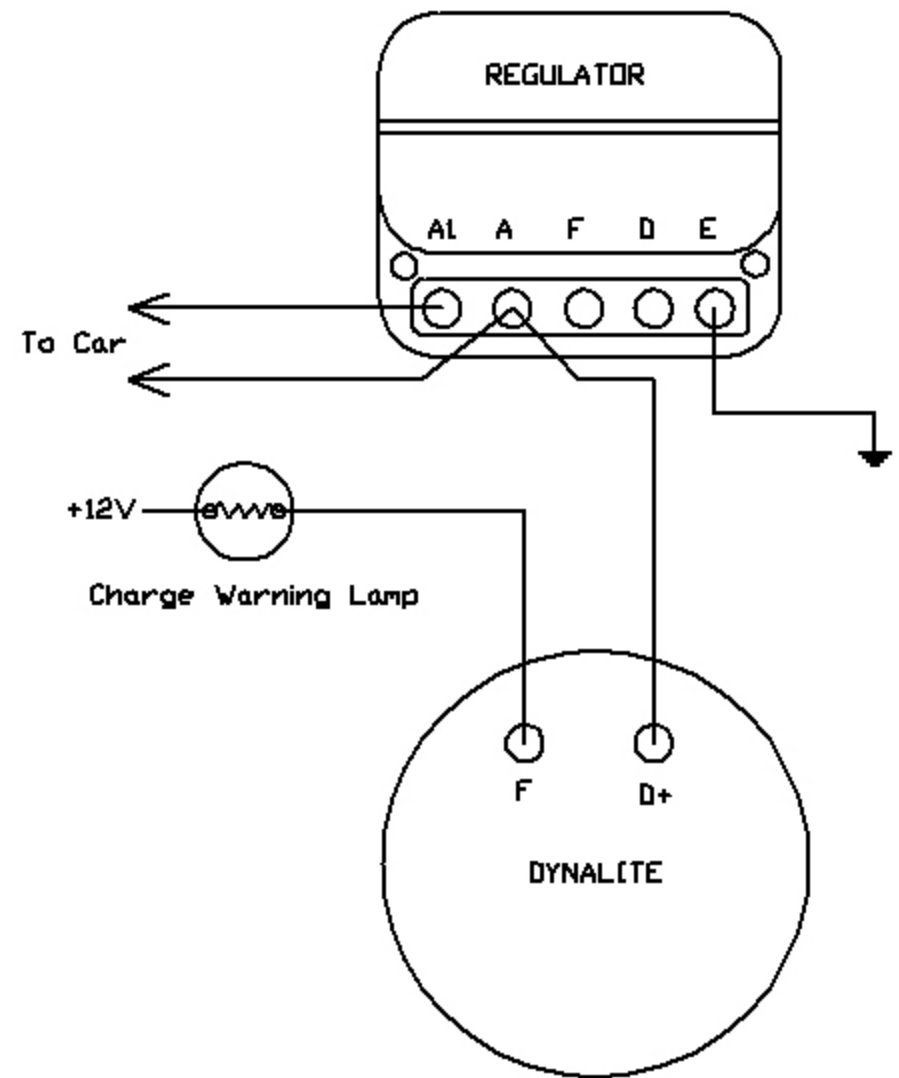


AFTER

DYNALITE NEGATIVE EARTH WIRING RETAINING ORIGINAL CONTROL BOX



BEFORE



AFTER